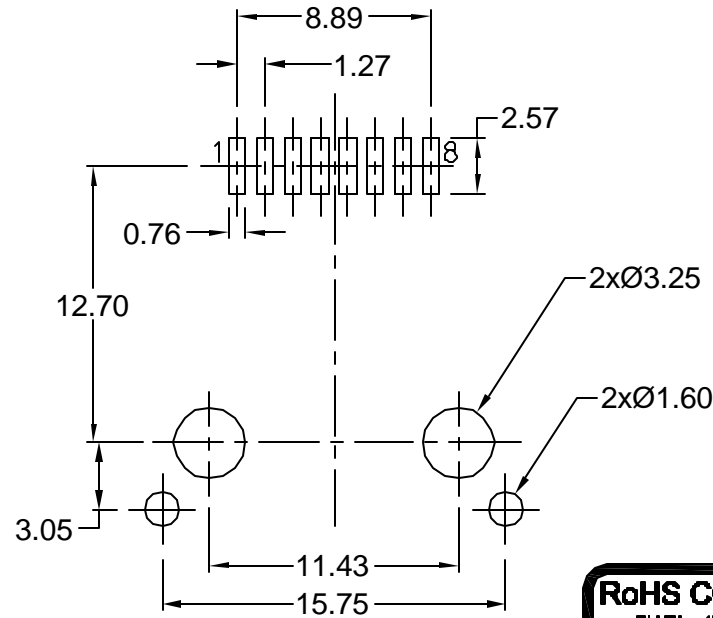
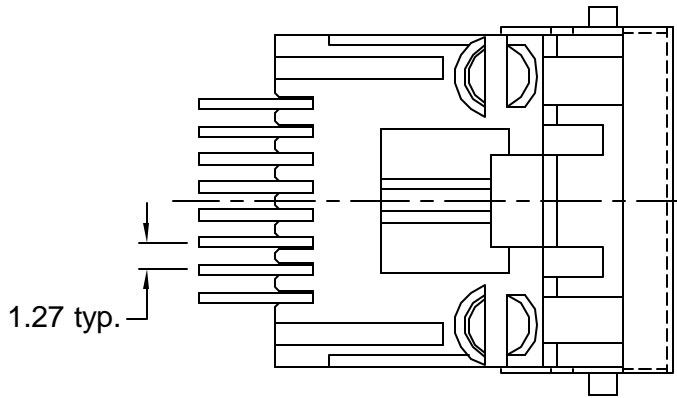


PCB LAYOUT/TOP VIEW



Materials and Finish

Housing Material-
High Temperature
Reflow Compatible
UL 94V-0 Rated
Color: Black (Standard)

Contact Material-
Phosphor Bronze

Shield Material-
Copper Alloy, Nickel Plated

Contact Plating Options-
Standard: 0.0001" Nickel
Plating, Selective Plating
0.000015" Gold on Contact
Area, Tin on Termination End

50: 0.0001" Nickel Plating,
Selective Plating 0.000050"
Gold on Contact Area to
Comply with FCC Requirements
Under No. 47 C.F.R. Part 68,
Subpart F, Tin on Termination End

Electrical Characteristics

Insulation Resistance-
500 Megohms Min.

Dielectric Withstanding Voltage-
1000V rms, 60Hz

Contact Resistance-
20 milliohms Max.

Current Rating-
1.5 Amps

Operating Temperature-
-40°C to +85°C

Durability Rating-
500 mating cycles min.

Max. Reflow Temperature:
230°C for 30 sec.
260°C max.

Part Number	Contact Area Plating Finish
GDLX-SMT-S-88	15u" Gold (standard)
GDLX-SMT-S-88-50	50u" Gold (50 option)

RoHS COMPLIANT
EU Directive 2002/95/EC



Tolerances
X.X ± 0.25
X.XX ± 0.15
Unless Stated Otherwise

REV.	DATE	DESCRIPTION	REV. BY	CHK. BY	DRAWN BY	DATE
A1	7/8/05	New Drawing	R. Aguirre	H. MA	R. Aguirre	05/19/05

GDLX-SMT-S-88

Shielded Right Ang. Mod. Jack

RoHS Compliant, Surface Mount, 8 pos. 8 contact

