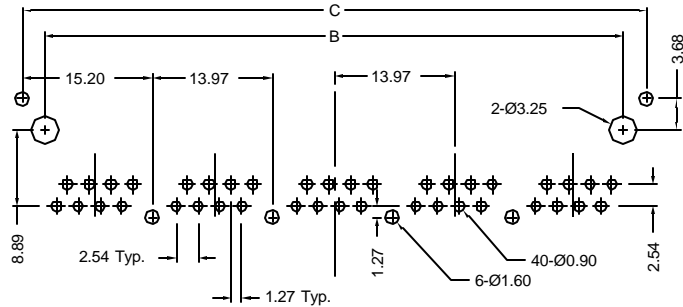
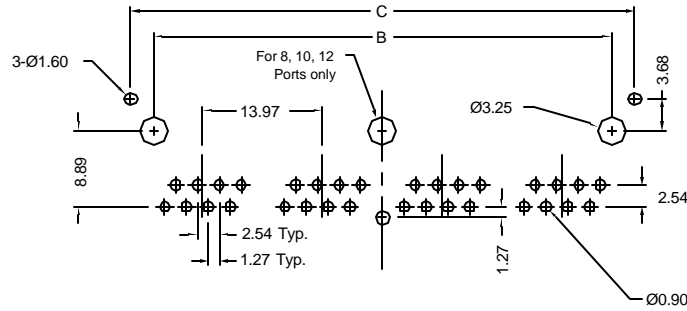


Special PCB Layout for GSGX-NS-5-88 (Top View)

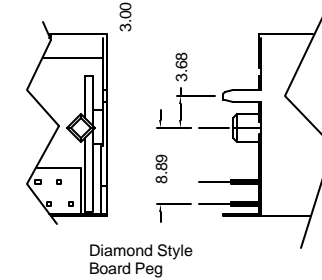
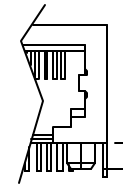
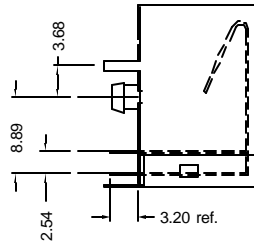


Part Number	Contact Area Plating Finish
GSGX-NS-x-88	15u" Gold (standard option)
GSGX-NS-x-88-50	50u" Gold (-50 option)

Recommended PCB Layout (Top View)



3.68 Ground Pin Option



Diamond Style Board Peg

Dimensions (mm)

# of Ports	A	B	C	Style of Board Peg
2	31.12	25.40	30.87	Snap-In***
4	59.06	53.34	58.81	Snap-In***
5	73.03	67.31	72.78	Diamond*
6	87.00	81.28	86.75	Snap-In***
8	114.94	109.22	114.69	Snap-In***
10	142.88	137.16	142.63	Diamond**
12	170.82	165.10	170.57	Diamond**

\*Snap-In available with min. quantity. Contact Kycon  
 \*\*Outer pegs are diamond, center peg is snap-in style  
 \*\*\* 4.57 Ground Pin option available

### Material and Finish

Body: PBT, glass filled  
 UL94V-0 rated  
 color: black

Shield: 0.25mm thick  
 Copper alloy,  
 Nickel plated

Contact: Phosphor Bronze  
 Nickel underplate on entire  
 contact Tin on termination end

Gold plating options on  
 contact area:  
 Standard: Gold flash  
 50 option: 50u" gold  
 to comply with FCC  
 requirements under #47  
 C.F.R. Part 68,  
 Subpart F

### Electrical Characteristics

Insulation Resistance:  
 500 Megohms Min.

Dielectric Withstanding Voltage:  
 1000V rms, 60Hz

Contact Resistance: 20milliohm max.

Current Rating: 1.5A

Durability Rating:  
 500 Mating Cycles Min.

### Electrical Performance

Category 5 100MHz Bandwidth Performance

Attenuation @ 100MHz less than 0.13dB

Performance meets near end crosstalk (NEXT)  
 Requirements of -40dB @ 100MHz per  
 EIA/TIA 568A in applications where UL  
 Approved Category 5 cable (GA27-3773-1)  
 is used

Shielded types offer 20dB shielding from  
 30MHz to 300MHz

Tolerances

X.X ± 0.25  
 X.XX ± 0.15  
 Unless Stated  
 Otherwise



REV.	DATE	DESCRIPTION	REV. BY	CHK. BY	DRAWN BY	DATE
A1	07/06/05	New Drawing	R. Aguirre	H. MA	R. Aguirre	07/05/05
A2	07/25/05	Remove 4.57 option	R. Aguirre	H. MA		

**GSGX-NS-x-88**  
 x = Number of ports

Shielded gang-jack, RoHS Compliant  
 8 position/ 8 contacts per port

