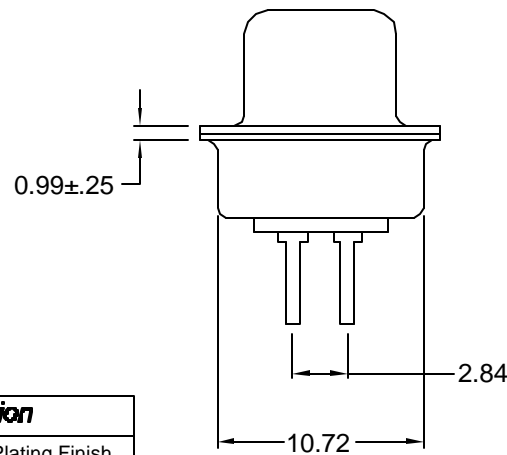
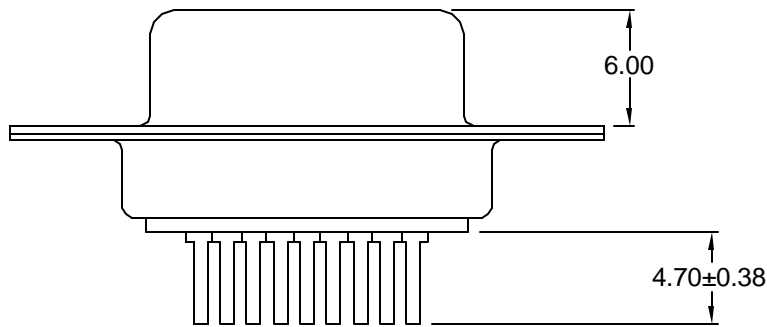
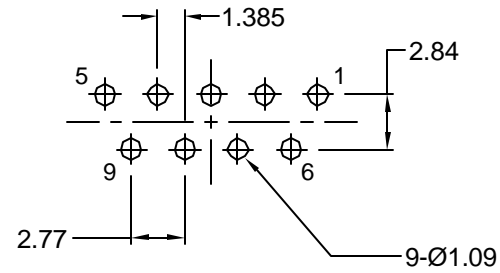


**Recommended PCB Layout (top view)**



**Ordering Information**

Part Number	Contact Area Plating Finish
K85X-ED-9S	Gold Flash (standard)
K85X-ED-9S-15	15u" Gold (15 option)
K85X-ED-9S-30	30u" Gold (30 option)

**Material And Finish**

Shell- Steel, tin plated

Insulator-PBT, glass fiber reinforced  
UL 94V-0  
color: black

Contact Material- Brass

Standard:

Gold flash on mating end, tin on termination end, with entire contact nickel underplated

-15 Option:

15u" gold on mating end, tin on termination end, with entire contact nickel underplated

-30 Option:

30u" gold on mating end, tin on termination end, with entire contact nickel underplated

**Electrical Specifications**

Contact Current Rating: 5A

Rated Voltage: 300V DC

Dielectric Withstanding Voltage: 1000V (rms) AC for 1 minute

Insulation Resistance: more than 1000 Megohm at 500V DC

Dielectric Withstanding Voltage- 1000 VAC rms for 1 minute

Contact Resistance: 13 milliohm max.

Operating Temperature -55°C to +105°C



Tolerances
X.X ± 0.25
X.XX ± 0.15
Unless Stated Otherwise

REV.	DATE	DESCRIPTION	REV. BY	CHK. BY	DRAWN BY	DATE
A1	11/15/05	New Drawing	R. Aguirre	H. MA	R. Aguirre	07/20/05

**K85X-ED-9S**

**Vertical PCB Mount D-Sub**

**9 Pin Female, RoHS Compliant**

