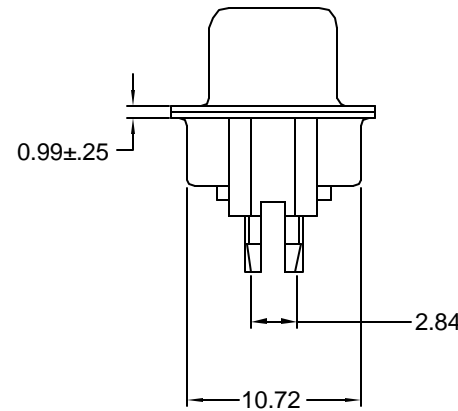
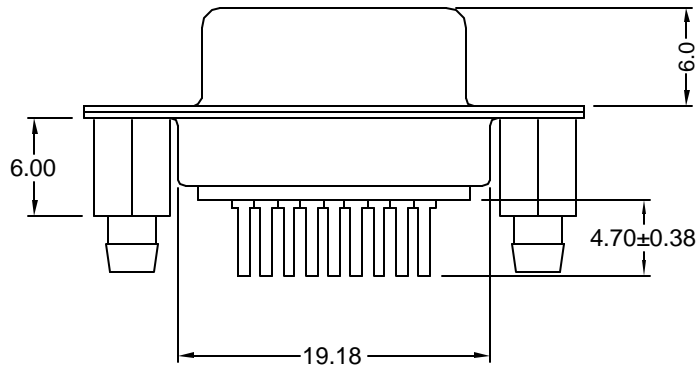
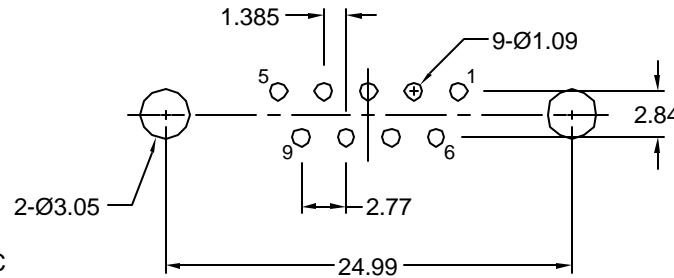


Recommended PCB Layout
(top view)



Part Number	Contact Area Plating Finish
K85X-ED-9S-BR	Gold Flash (standard)
K85X-ED-9S-BR15	15u" Gold (15 option)
K85X-ED-9S-BR30	30u" Gold (30 option)

Material and Finish

- Shell: steel, tin plated
- Insulator: PBT thermoplastic with glass-fiber reinforcement, UL94V-0 rated, black color
- Contact Material: Brass
- Contact Plating Options:
 - Standard: gold flash on mating end, tin on termination end, nickel underplate on entire contact
 - 15 Option: 0.000015" gold on mating end, tin on termination end, nickel underplate on entire contact
 - 30 Option: 0.000030" gold on mating end, tin on termination end, nickel underplate on entire contact

Specifications

- Rated Current: 5A
- Rated Voltage: 300V DC
- Withstanding Voltage: 500V (r.m.s.) AC for 1 minute
- Insulation Resistance: 5000 megohms min.
- Contact Resistance: 13 milliohms max.
- Dielectric Strength: 1000V AC for 1 minute
- Durability Rating: 500 mating cycles min.
- Operating Temperature: -55°C to +105°C



Tolerances
X.X ± 0.25
X.XX ± 0.15
Unless Stated Otherwise

REV.	DATE	DESCRIPTION	REV. BY	CHK. BY	DRAWN BY	DATE
A1	11/11/05	New Drawing	R. Aguirre	H. MA	R. Aguirre	11/11/05

K85X-ED-9S-BR

Vertical PCB Mount D-Sub
9 Pin Female, RoHS Compliant

