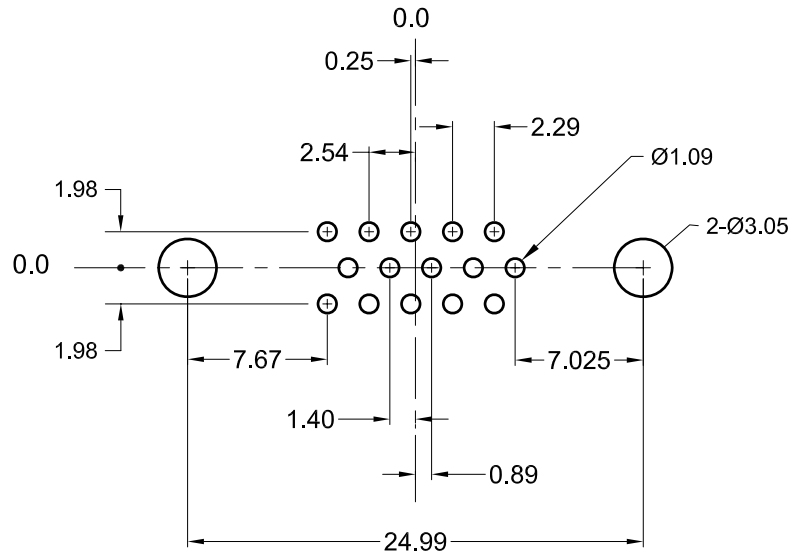
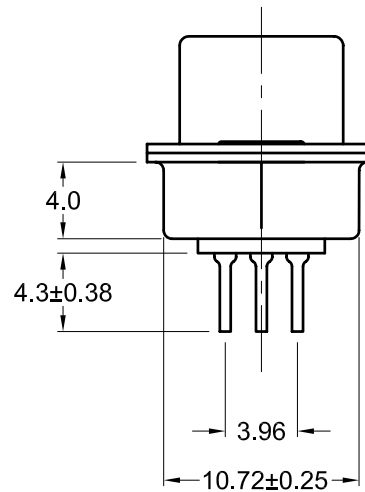
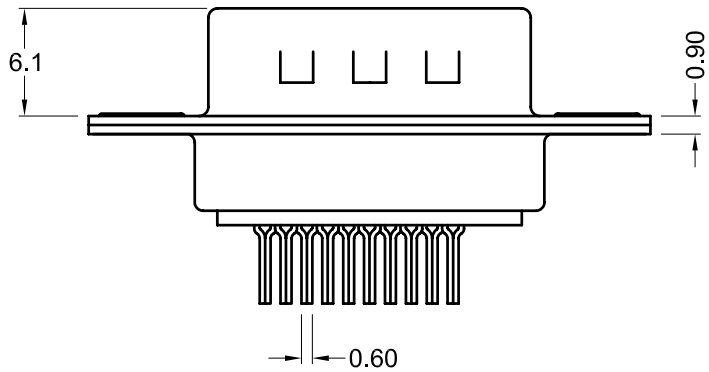


Recommended PCB Layout  
(Bottom View)



Material And Finish

- Shell: Steel Material, Tin Plated
- Insert: PBT Thermoplastic, Black Color, 30% Glass Filled, UL 94V-0 Rated
- Contact Material: Plug- Brass
- Contact Plating: Standard: Gold flash over Nickel on contacts, Tin over Nickel on soldertails  
-15 Option: 15u" Gold over Nickel on contacts, Tin over Nickel on soldertails  
-30 Option: 30u" Gold over Nickel on contacts, Tin over Nickel on soldertails



Electrical Specifications

- Rated Current: 2A
- Rated Voltage: 30V RMS
- Dielectric Withstanding Voltage: 1000 V (rms) AC for 1 min
- Insulation Resistance: more than 1000 Megohms at 500 V DC
- Contact Resistance: 13 milliohm Max.
- Operating Temperature: -55°C to +105°C

Ordering Information

Part Number	Contact Area Plating Finish
K86X-ED-15P	Gold Flash (standard)
K86X-ED-15P-15	15u" Gold (15 option)
K86X-ED-15P-30	30u" Gold (30 option)



Tolerances
X.X ± 0.25
X.XX ± 0.15
Unless Stated Otherwise

REV.	DATE	DESCRIPTION	REV. BY	CHK. BY	DRAWN BY	DATE
A1	03/21/06	New Drawing	R. Aguirre	H. MA	R. Aguirre	03/21/06
A2	1/17/08	ECO# 07-052	WILL H.	H. MA		

K86X-ED-15P

High Density Vertical Mount D-Sub, RoHS Compliant

15 pin plug, precision formed contacts,

