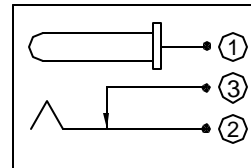
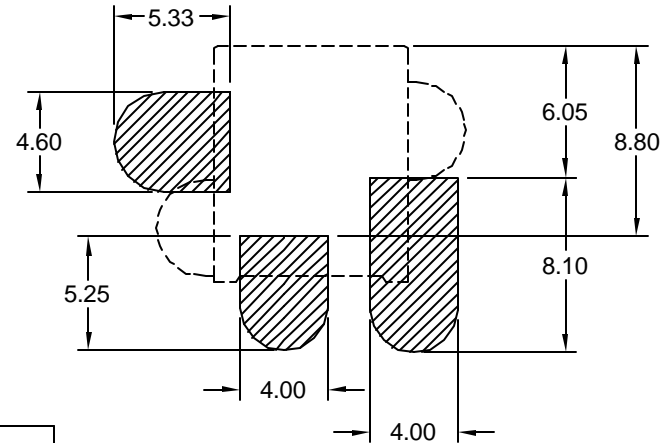
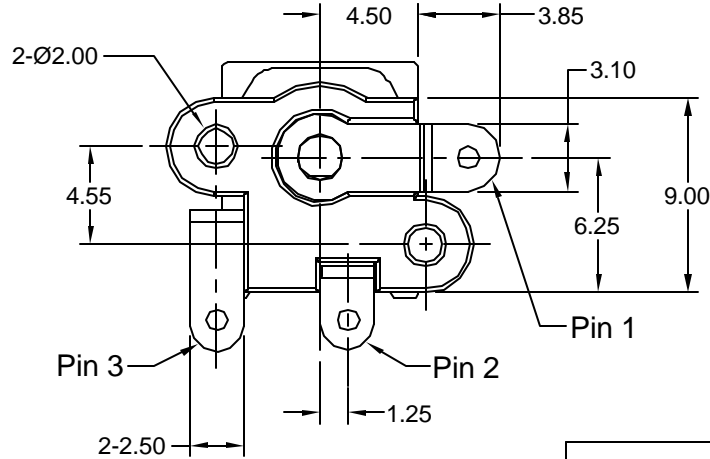


**Recommended PCB Layout
(Top View)**



Schematic

Electrical Characteristics

Contact Resistance
Before Test
Between Terminals: 30 milliohms Max.
Plug to Contacts: 50 milliohms Max.

After Test:
Between Terminals: 60 milliohms Max.
Plug to Contacts: 100 milliohms Max.

Rated Voltage: 16V DC
Rated Current: 3.5 Amps
Insulation Resistance: 100 Megohms Min.
at 500V DC
Dielectric Withstanding Voltage:
500V AC for 1 minute

Mechanical Characteristics

Durability Test: 5000 cycles
Insertion Force: 0.3kg-3.0kg
Extraction Force: 0.3kg-3.0kg
Operating Temp: -25°C to +85°C
Reflow Temperature:
230°C for 30 sec.
260°C max

Material and Finish

Main Housing: LCP
Bottom Cover: PA9T
UL94V-0, Color: Black
Center Pin: Copper, Nickel Plated
Contact #1: Brass, Silver Plated
Contact #2: Phosphor Bronze, Silver Plated
Contact #3: Brass, Silver Plated



Part Number	Center Post Diameter	Packaging
KLDVX-SMT-02-A-TR	Ø2.00	Tape & Reel (TR option)

Tolerances
X.X ± 0.25
X.XX ± 0.15
Unless Stated Otherwise



REV.	DATE	DESCRIPTION	REV. BY	CHK. BY	DRAWN BY	DATE
A1	10/04/05	New Drawing	R. Aguirre	H. MA	R. Aguirre	10/04/05
A2	11/15/05	ECO#05-064	R. Aguirre	H. MA		

KLDVX-SMT-02-A

Power Jack, Vertical SMT, RoHS Compliant

Ø2.0mm Center Pin

