

Electrical Characteristics

Contact Resistance
 Before Test
 Between Terminals: 30 milliohms Max.
 Plug to Contacts: 50 milliohms Max.

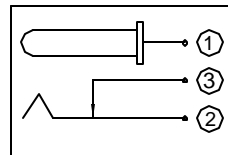
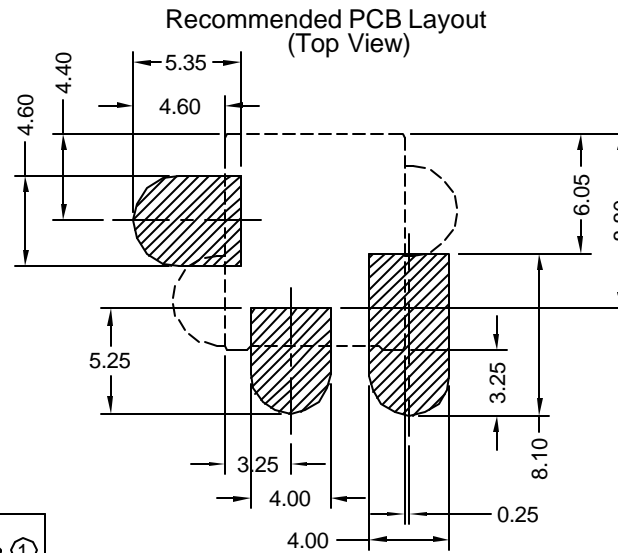
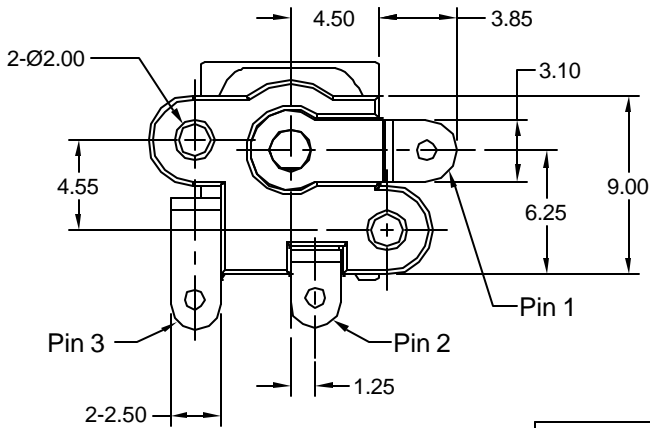
After Test:
 Between Terminals: 60 milliohms Max.
 Plug to Contacts: 100 milliohms Max.

Rated Voltage: 16V DC
 Rated Current: 3.5 Amps
 Insulation Resistance: 100 Megohms Min.
 at 500V DC

Dielectric Withstanding Voltage:
 500V AC for 1 minute

Mechanical Characteristics

Durability Test: 5000 cycles
 Insertion Force: 0.3kg-3.0kg
 Extraction Force: 0.3kg-3.0kg
 Operating Temp: -25°C to +85°C



Schematic

Material and Finish

Main Housing: LCP
 Bottom Cover: PA9T
 UL94V-0, Color: Black
 Center Pin: Copper, Nickel Plated
 Contact #1: Brass, Silver Plated
 Contact #2: Phosphor Bronze, Silver Plated
 Contact #3: Brass, Silver Plated



Part Number	Center Post Diameter	Packaging
KLDVX-SMT-02-BTR	Ø2.50	Tape & Reel (TR option)

Tolerances
X.X ± 0.25
X.XX ± 0.15
Unless Stated Otherwise



REV.	DATE	DESCRIPTION	REV. BY	CHK. BY	DRAWN BY	DATE
A1	11/11/05	New Drawing	R. Aguirre	H. MA	R. Aguirre	11/08/05

KLDVX-SMT-02-B

Power Jack, Vertical SMT, RoHS Compliant

Ø2.5mm Center Pin

