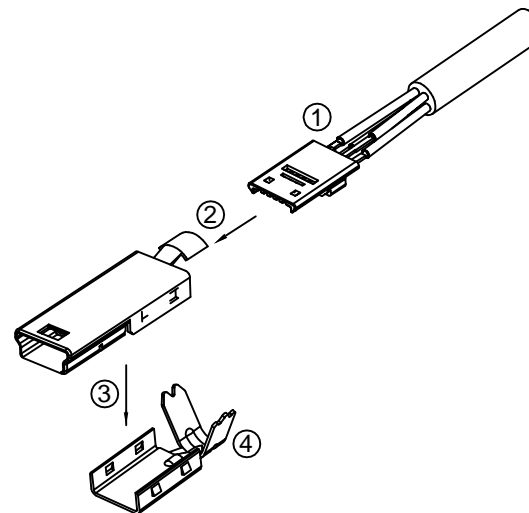
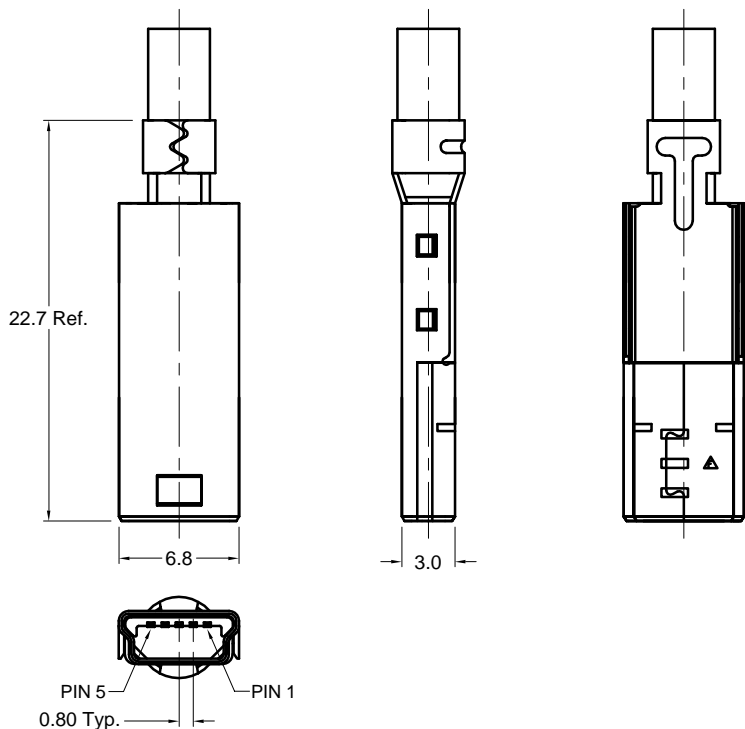
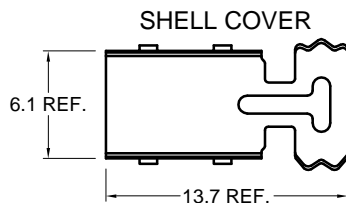
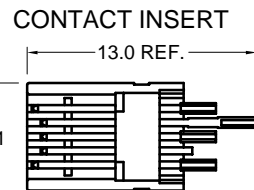
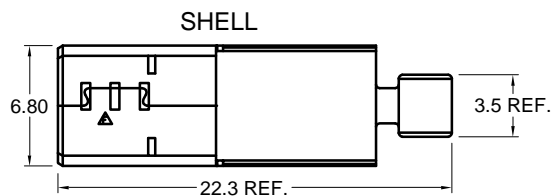


ASSEMBLED PLUG



ASSEMBLY PROCESS

- ① SOLDER CABLE WIRES TO CONTACT INSERT
- ② INSERT CONTACT INSERT INTO SHELL UNTIL SEATED
- ③ INSTALL SHELL COVER
- ④ CRIMP STRAIN RELIEF TO CABLE WITH PLIERS



Materials and Finish

Shell:
 Steel or Brass
 0.30mm thickness
 Nickel Plated

Insulator:
 PBT Thermoplastic
 UL 94V-0 Rated
 Black Color

Contacts:
 Phosphor Bronze, 30u" Gold plated

RoHS COMPLIANT
 EU Directive 2002/95/EC



Tolerances
X.X ± 0.25
X.XX ± 0.15
Unless Stated Otherwise

REV.	DATE	DESCRIPTION	REV. BY	CHK. BY	DRAWN BY	DATE
A1	6/27/05	New Drawing	N.Chang	C. Furumasa	N.Chang	6/27/05

KMBX-BP-KIT-ST30

UNITS
mm

Mini-USB B-type Plug Kit, RoHS Compliant

comes unassembled with 3 pieces

