

Recommended PCB Layout  
(Bottom View)

### Material and Finish

Body: High Temperature,  
Thermoplastic,  
UL94V-0 Rated  
Color: Black

### Contacts:

Pin #1 and #2:  
Brass, Tin Plated

Pin #3:  
Phosphor Bronze, Tin Plated

Inner Shield: Copper Alloy,  
Tin Plated

### Electrical Characteristics

Contact Rating (Per Pin):

Pin #1 and #2:  
7.5A Max. @ 48V DC

Pin #3:  
1.0A Max. @ 48V DC

Insulation Resistance:

50 Megohms Min. at 250V DC

Dielectric Withstanding Voltage:

500V AC RMS for 1 Min.

Contact Resistance:

30 milliohms Max.

### Mechanical Characteristics

Operating Temperature:

-40°C to 85°C

Note:

Recommended for use  
with Kycon KPPX plug.



Tolerances
X.X ± 0.35
X.XX ± 0.25
Unless Stated Otherwise

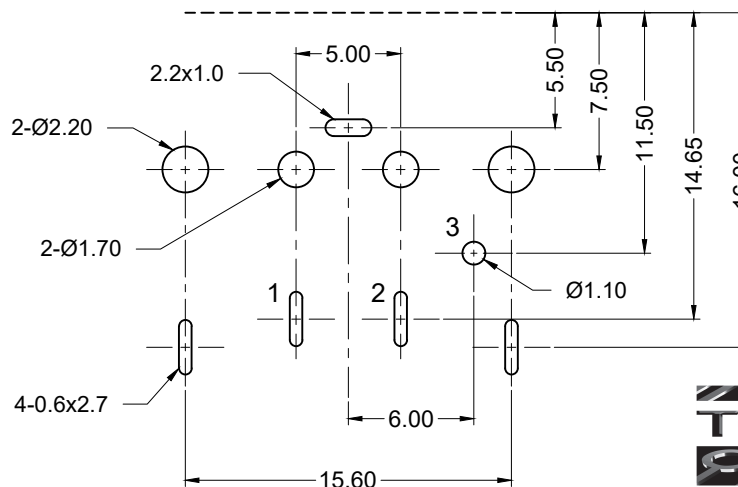
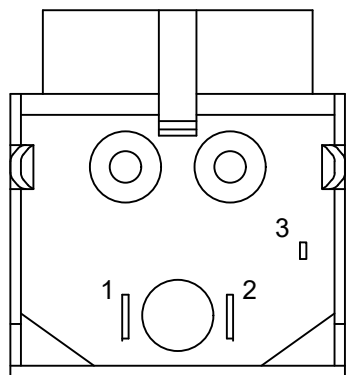
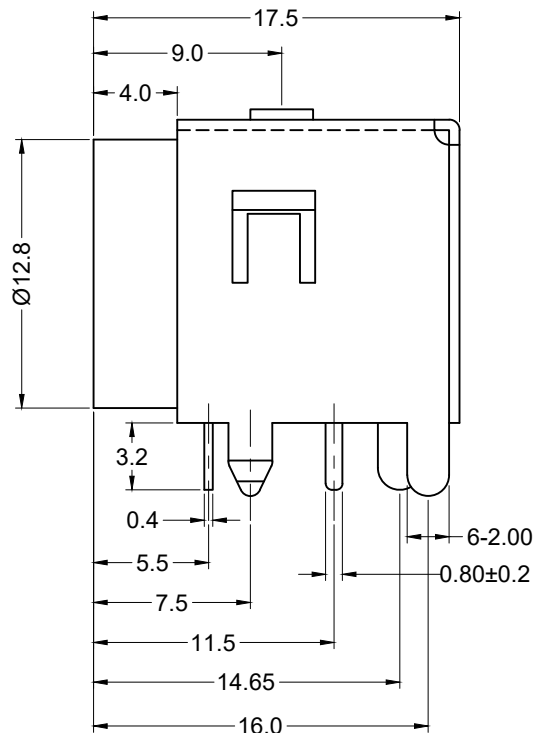
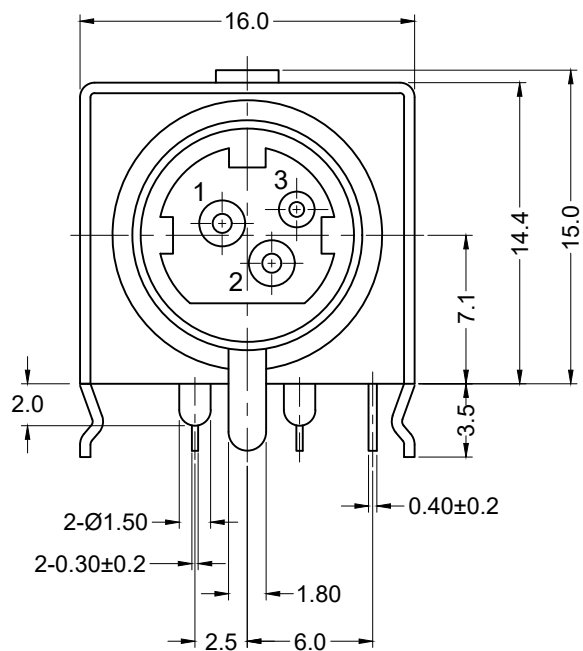
REV.	DATE	DESCRIPTION	REV. BY	CHK. BY	DRAWN BY	DATE
A6	04/09/12	ECO #12-011	S. Vien	P. DalCanto	H. MA	5/10/05
A7	01/28/13	ECO #13-006	S. Vien	P. DalCanto		
A8	09/18/18	ECO #15-010	C. Kelleher	W. Cook		
A9	02/19/16	ECO #16-050	C. Kelleher	W. Cook	UNITS	mm
A10	08/20/18	ECO #18-034	G. Serrato	D. Shehan		
A11	10/05/18	ECO #18-051	G. Serrato	D. Shehan		

**KPJXHT-3S**

DC Power Jack, RoHS compliant

3 Position, Non-Shielded, High Temperature





Recommended PCB Layout  
(Bottom View)



RoHS COMPLIANT

cRU<sup>®</sup>  
E140125

SP<sup>®</sup>  
LR78160

Tolerances
X.X ± 0.35
X.XX ± 0.25
Unless Stated Otherwise

### Material and Finish

Body: High Temperature, Thermoplastic, UL94V-0 Rated  
Color: Black

### Contacts:

Pin #1 and #2:  
Brass, Tin Plated

Pin #3:  
Phosphor Bronze, Tin Plated

Inner Shield: Copper Alloy, Tin Plated

Outer Shield: Steel, Tin Plated

### Electrical Characteristics

#### Contact Rating (Per Pin):

Pin #1 and #2:  
7.5A Max. @ 48V DC

Pin #3:  
1.0A Max. @ 48V DC

Insulation Resistance:  
50 Megohms Min. at 250V DC

Dielectric Withstanding Voltage:  
500V AC RMS for 1 Min.

Contact Resistance:  
30 milliohms Max.

### Mechanical Characteristics

Operating Temperature:  
-40°C to 85°C

#### Note:

Recommended for use with Kycon KPPX plug.

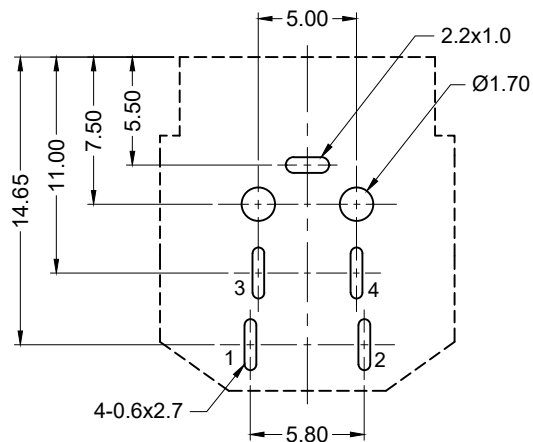
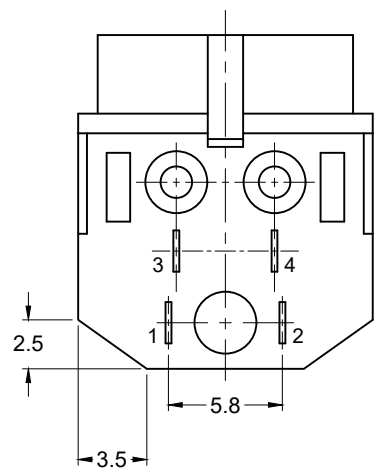
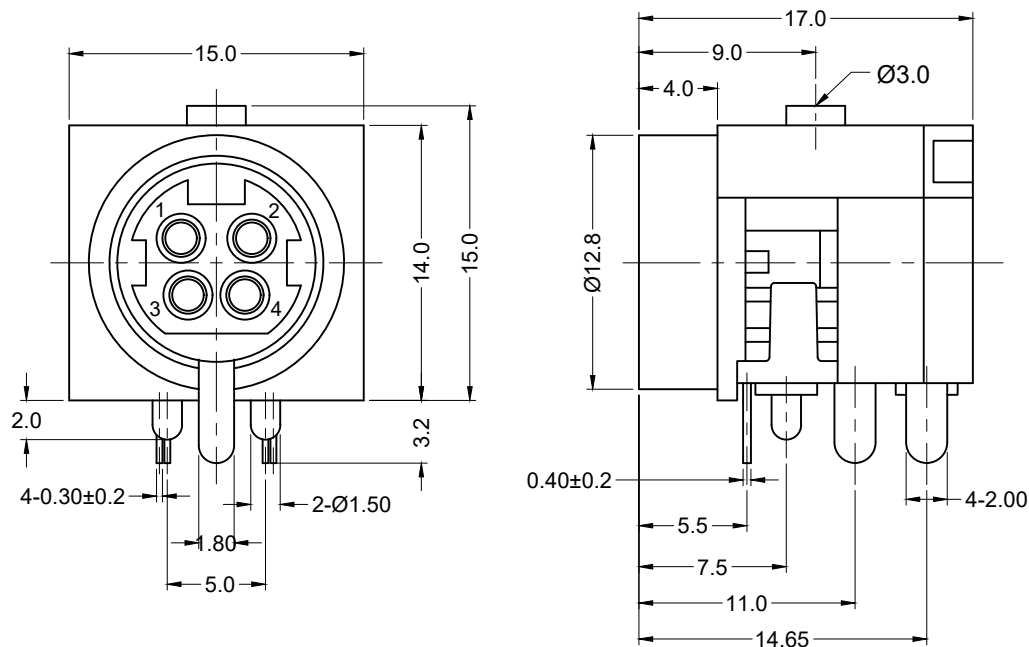
REV.	DATE	DESCRIPTION	REV. BY	CHK. BY	DRAWN BY	DATE
A7	04/09/12	ECO #12-011	S. Vien	P. DalCanto	H. MA	5/10/05
A8	01/28/13	ECO #13-006	S. Vien	P. DalCanto		
A9	09/18/15	ECO #15-010	C. Kelleher	W. Cook		
A10	02/19/16	ECO #16-005	C. Kelleher	W. Cook		
A11	08/20/18	ECO #18-034	G. Serrato	D. Shehan		
A12	10/05/18	ECO #18-051	G. Serrato	D. Shehan		

KPJXHT-3S-S

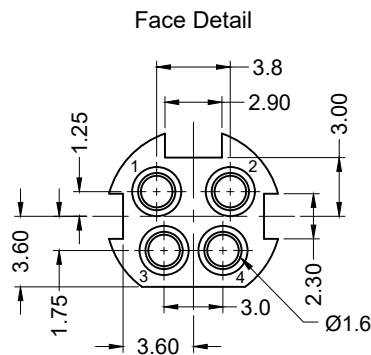
DC Power Jack, RoHS Compliant

3 Position, Shielded, High Temperature





Recommended PCB Layout  
(Bottom View)



### Material and Finish

Body: High Temperature,  
Thermoplastic,  
UL94V-0 Rated  
Color: Black

Contacts: Brass, Tin Plated  
Inner Shield: Copper Alloy,  
Tin Plated

### Electrical Characteristics

Contact Rating (Per Pin):  
7.5A Max. @ 48V DC

Insulation Resistance:  
50 Megohms Min. at 250V DC

Dielectric Withstanding Voltage:  
500V AC RMS for 1 Min.

Contact Resistance:  
30 milliohms Max.

### Mechanical Characteristics

Operating Temperature:  
-40°C to 85°C

Note:  
Recommended for use  
with Kycon KPPX plug.



Tolerances
X.X ± 0.35
X.XX ± 0.25
Unless Stated Otherwise

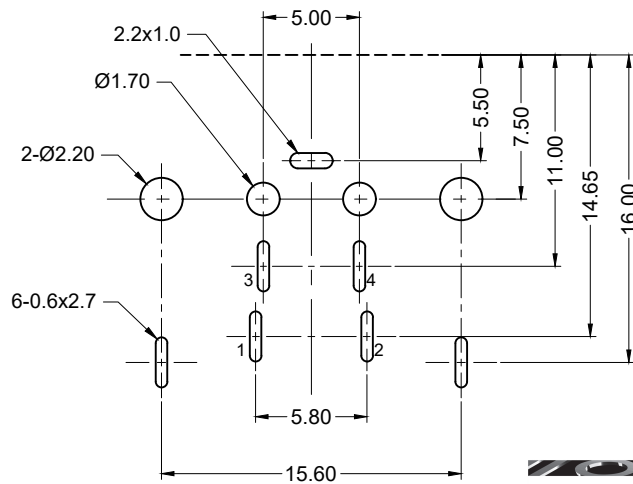
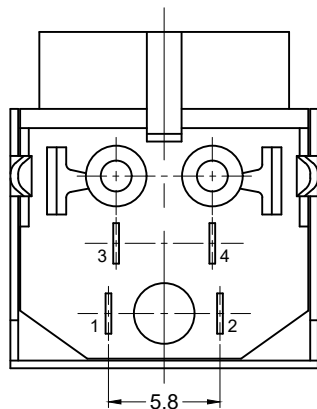
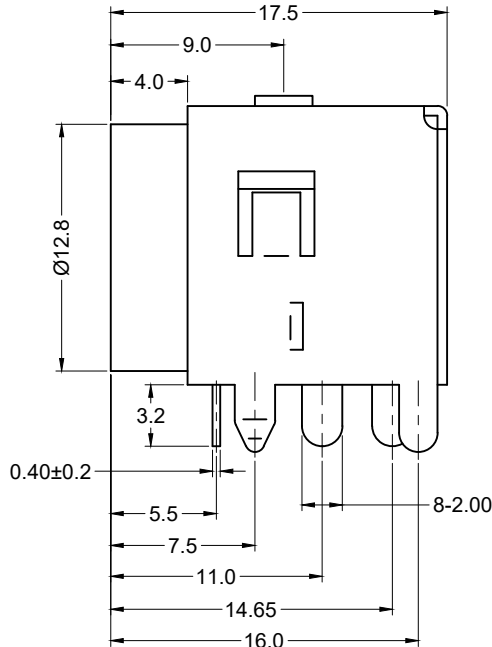
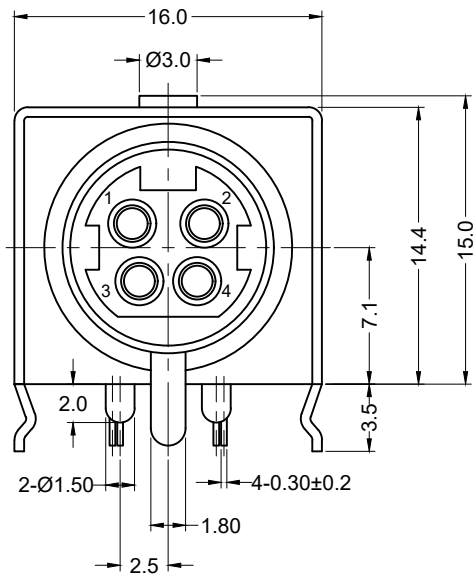
REV.	DATE	DESCRIPTION	REV. BY	CHK. BY	DRAWN BY	DATE
A5	04/04/12	ECO #12-011	S. Vien	P. DalCanto	H. MA	5/10/05
A6	01/28/13	ECO #13-006	S. Vien	P. DalCanto		
A7	09/18/15	ECO #15-010	C. Kelleher	W. Cook	UNITS	mm
A8	02/26/16	ECO #16-005	C. Kelleher	W. Cook		
A9	08/20/18	ECO #18-034	G. Serrato	D. Shehan		
A10	10/05/18	ECO #18-051	G. Serrato	D. Shehan		

# KPJXHT-4S

DC Power Jack, RoHS compliant

4 Position, Non-Shielded, High Temperature





Recommended PCB Layout



Tolerances	
X.X	± 0.35
X.XX	± 0.25
Unless Stated Otherwise	

### Material and Finish

Body: High Temperature, Thermoplastic,  
UL94V-0 Rated  
Color: Black

Contacts: Brass, Tin Plated  
Inner Shield: Copper Alloy, Tin Plated  
Outer Shield: Steel, Tin Plated

### Electrical Characteristics

Contact Rating (Per Pin):  
7.5A Max. @ 48V DC

Insulation Resistance:  
50 Megohms Min. at 250V DC

Dielectric Withstanding Voltage:  
500V AC RMS for 1 Min.

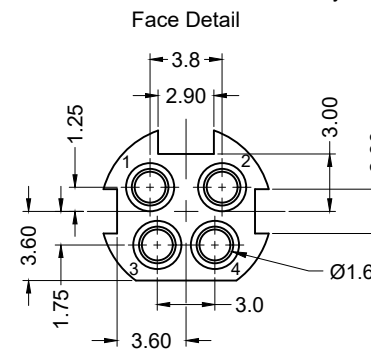
Contact Resistance:  
30 milliohms Max.

### Mechanical Characteristics

Operating Temperature:  
-40°C to 85°C

Note:

Recommended for use with Kycon KPPX plug.



REV.	DATE	DESCRIPTION	REV. BY	CHK. BY	DRAWN BY	DATE
A6	04/04/12	ECO #12-011	S. Vien	P. DalCanto	H. MA	5/10/05
A7	01/28/13	ECO #13-006	S. Vien	P. DalCanto		
A8	09/18/15	ECO #15-010	C. Kelleher	W. Cook	UNITS	mm
A9	02/26/16	ECO #16-005	C. Kelleher	W. Cook		
A10	08/20/18	ECO #18-034	G. Serrato	D. Shehan		
A11	10/05/18	ECO #18-051	G. Serrato	D. Shehan		

**KPJXHT-4S-S**

DC Power Jack, RoHS Compliant

4 Position, Shielded, High Temperature

