



## KPPX/KPJX Series


### Snap and Lock PCB and Cable Mount

Features 

- Laptop Computers, Power Supplies and Other Portable Digital Equipment Applications
- Snap and Lock Feature Helps to Prevent Accidental Disconnects
- 3 or 4 Pins Transmit Power, or One Pin Can be Used For Signal Transmission
- For Signal and DC Power Applications
- Plugs Supplied in Kits Ready for Assembly
- CSA/NRTL Certified File No. LR78160

## Performance Specifications

### Materials and Finish

Jack 

**Shield:** Tin Plated

**Body:** PBT UL94 V-0 Rated

Plug 

**Body:** ABS UL94 HB

### Electrical Characteristics

#### Contact Rating

**3 Position :** Pin 1 and 2, 20V DC at 7.5A Max.,  
Pin 3, 20V DC 1.0A Max.

**4 Position :** 20 V DC 7.5A Max. for all Pins

**Insulation Resistance :** 50 Megohms Min. at 250V DC

**Dielectric Strength :** 250V AC for 1 Minute

**Contact Resistance :** 30 Milliohms Max.

### Mechanical Characteristics

- Durability Test : 1000 Cycles
- Suggested Wire Awg. #18 for Power Wires, #24 for Signal Wire

## DC POWER CONNECTORS

### KPJX / KPPX Series

#### Documentation & Ordering Information


Kycon Part #

#### Part Number Builder

Series	Mounting Option	No of Contacts	Contact Type	Shield Option
--------	-----------------	----------------	--------------	---------------

#### Series

KPJX - Snap and Lock DC Power Jack, Right Angle  
PCB Mount Receptacle

KPJXHT - High Temp

KPPX - Snap and Lock DC Power Plug Cable Mount

#### Mounting Option

Blank - PCB Mount

PM - Panel Mount (KPJX Only)

#### Number of Contacts

3 Pin

4 Pin

#### Contact Type

S - Socket (KPJX Only)

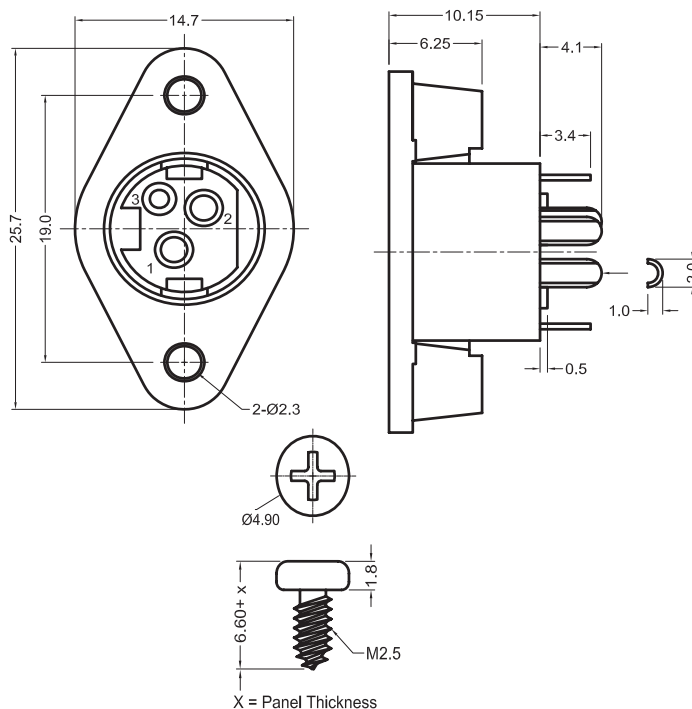
P - Plug (KPPX Only)

#### Shield Option

Blank - Non-Shielded

S - Shielded (KPJX and KPJXHT only)

#### KPJX-PM-3S-S

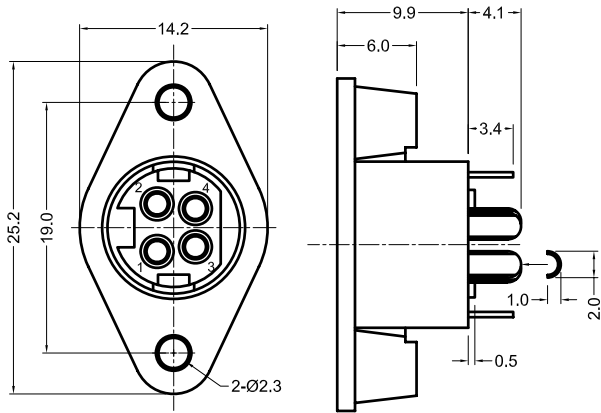


[Click Here for KPPX Assembly Instructions](#)

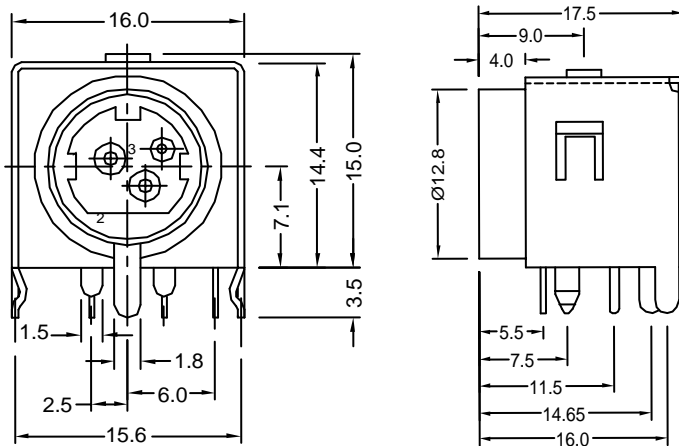
**KPJX Series Dimensions**

Dimensions in mm

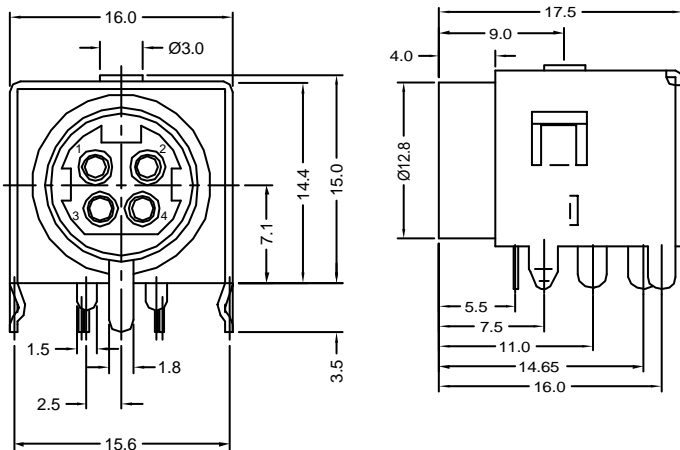
**KPJX-PM-4S**



**KPJX-3S-S**



**KPJX-4S-S**



**KPPX Series Dimensions**

Dimensions in mm

