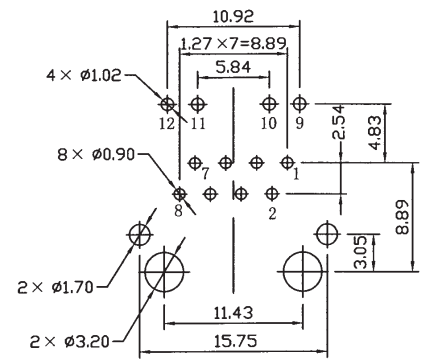
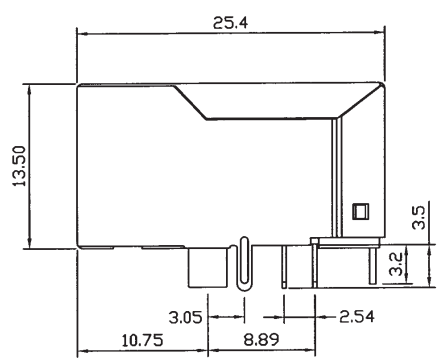
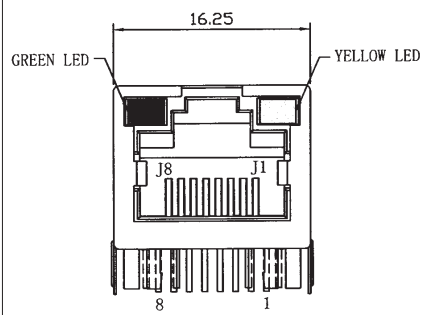
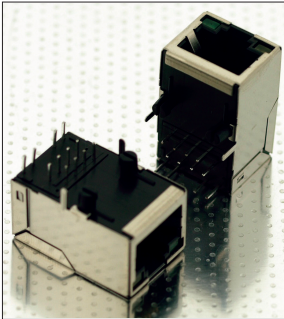
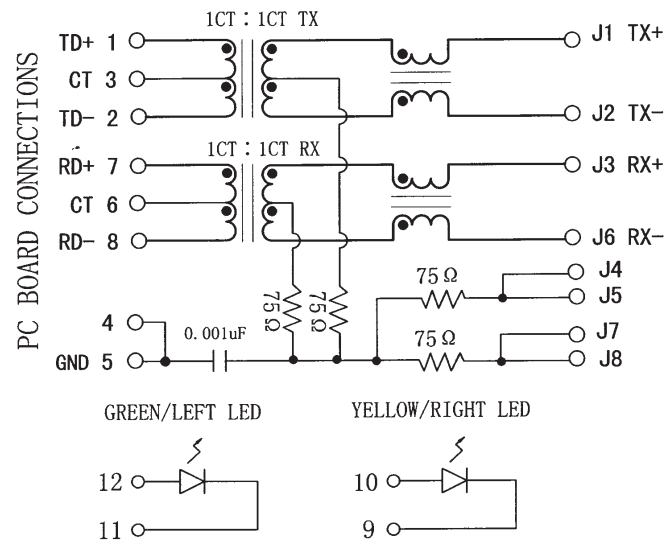


RJ45 Modular Jack with 10/100mbps Magnetics & LEDS VSIMJL-88-CC-GY Series

10/100 Base TX magnetics - Through board shielded type - 4 core filter - Left LED = Green, Right LED = Yellow - Meets IEEE 802.3 Spec.



SUGGESTED PCB LAYOUT (TOP VIEW)



Electrical Specification:
 TEST NOTES (25±5°C)
 1. TR: (100KHz, 0.1V);
 TX=1CT : 1CT ±3% RX=1CT : 1CT ±3%
 2. LX: (100KHz, 100mV, 8mA, DC Bias)
 PINS: (P1, P2), (P7, P8)=350uH MIN
 3. HIPOT:
 PINS (P1, P3, P2) TO (J1, J2)=1500VAC FOR 60 SECONDS
 PINS (P7, P6, P8) TO (J3, J6)=1500VAC FOR 60 SECONDS
 4. INSERTION LOSS:
 -1.0dB MAX @ 1.0MHz TO 65MHz
 5. RETURN LOSS:
 -20dB MIN @ 1MHz TO 10MHz
 -16dB MIN @ 10MHz TO 30MHz
 -12dB MIN @ 30MHz TO 60MHz
 -10dB MIN @ 60MHz TO 100MHz
 6. CROSS TALK:
 -40dB MIN @1MHz TO 30MHz
 -35dB MIN @30MHz TO 60MHz
 -30dB MIN @60MHz TO 100MHz
 7. COMMON TO COMMON MODE REJECTION:
 -30dB MIN @1MHz TO 50MHz
 -20dB MIN @50MHz TO 150MHz
 8. OPERATING TEMPERATURE: 0°C ~70°C.

Ordering Information:

VSIMJL-88-CC-GY

Specification:

Contact material: Copper alloy
 Contact plating: 6 micron (u") selective gold plated
 Shield material: Copper alloy / Ni plated
 Housing: Thermoplastic UL94V-0 rated black
 Wave solder temperature: 260°C for 5 seconds
 Operating temperature: 0°C ~ +70°C
 Mating/unmating force: 2.268kgs
 Durability: 750 insertions
 See above for full electrical specification