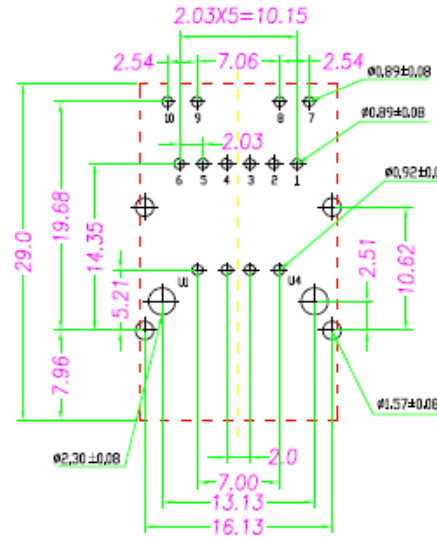
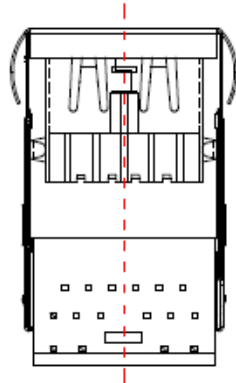
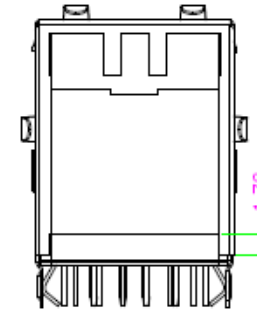
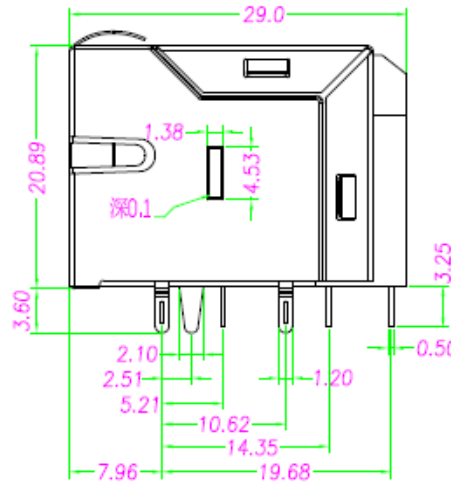
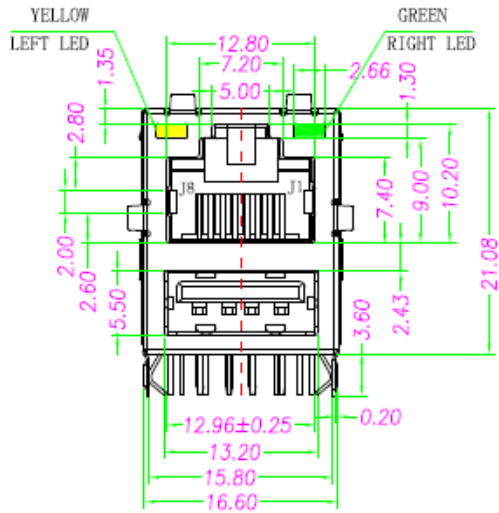
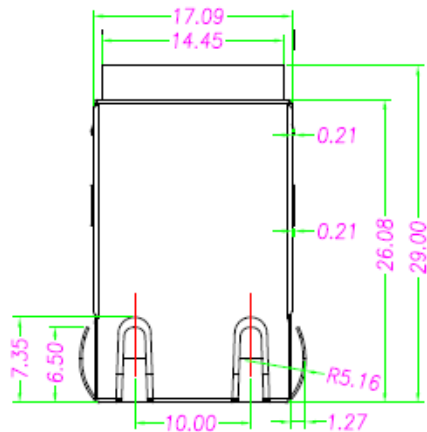


Mechanical:

REV.	ECN NO.	DESCRIPTION	DATE	APPD
A	REL		2012/11/20	



SUGGESTED PCB LAYOUT (TOP VIEW)



NOTES:

1. Designed to support application, such as SOHO (ADSL modems), LAN-on-Motherboard (LOM), hub and Switches.
2. Meets IEEE 802.3 specification
3. Connector Materials:
 Housing: Thermoplastic UL94V-0
 Contact/Shield: Copper alloy
 Shield plating: Nickel
 RJ-45 Contact plating: Gold 6 micro-inches min.
 In contact area
 USB Contact plating: Gold Flash
4. Wave solder tip temperature and time: 265°C MAX,

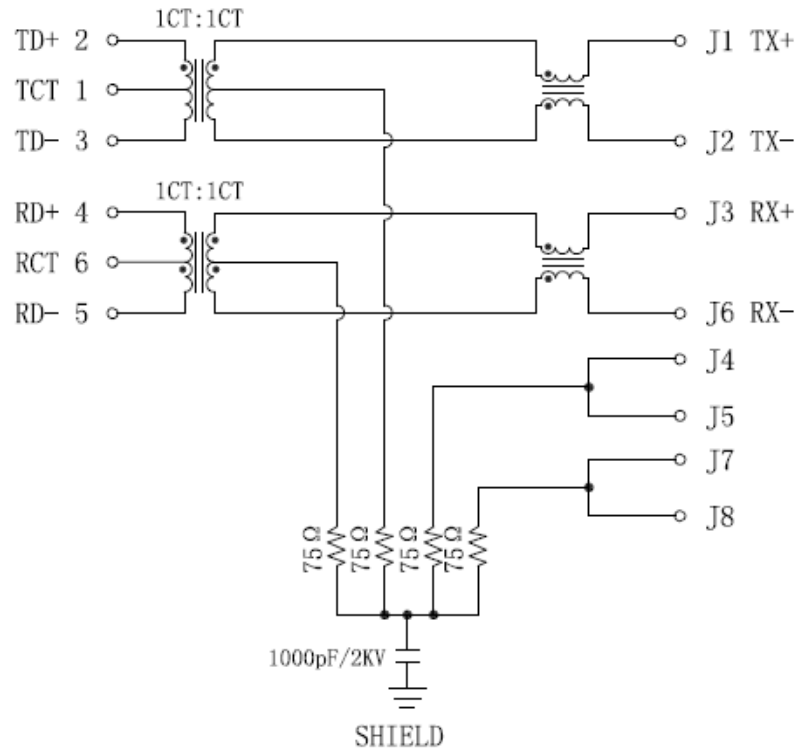


QUALITY VALUE COMPONENTS

Schematic:

REV.	ECN NO.	DESCRIPTION	DATE	APPD
A	REL		2012/11/20	

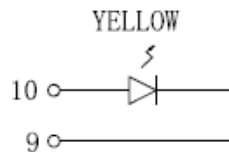
PCB CONNECTIONS



RJ45 CONNECTOR

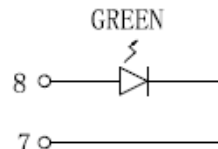
Electrical Specifications @25°C

1. OCL: 350uH MIN
@ 100KHz/100mVrms 8mA DC Bias
2. Turns Ratio:
TX=1CT:1CT RX=1CT:1CT
3. Insertion Loss:
1~100MHz:-1.0dB MAX
4. Return Loss(dB MIN):
1~30MHz:-18
30~60MHz:-[18-20log(f/30MHz)]
60~80MHz:-12
5. Crosstalk(TX - RX):
0.5~100MHz:-35dB MIN
6. Common to Differential Mode Rejection:
0.1~100MHz:-40dB MIN
7. Common to Common Mode Rejection:
0.1~100MHz:-30dB MIN
8. Hipot: 1500Vrms/0.5mA/60Sec
9. Operating Temperature: 0°C~70°C.



LEFT LED

LED POLARITY		COLOR
PIN 10	PIN 9	
+	-	YELLOW



RIGHT LED

LED POLARITY		COLOR
PIN 8	PIN 7	
+	-	GREEN



QUALITY VALUE COMPONENTS