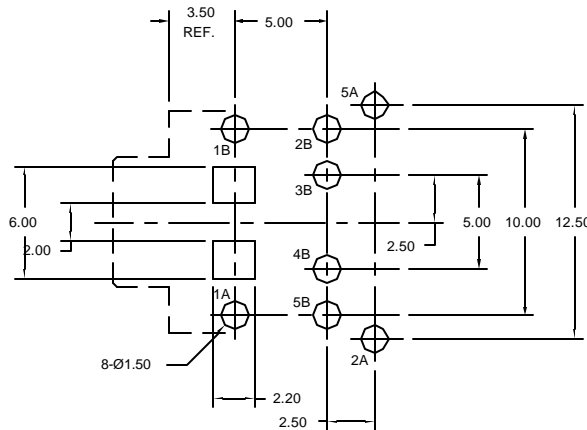
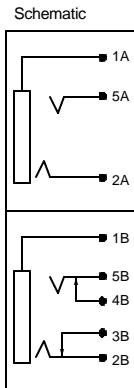


Upper jack

Lower jack



PCB LAYOUT  
<TOP VIEW>

**Materials and Finish**

Housing: PA46 Thermoplastic  
15% Glass Filled, Black  
UL 94V-0 Rated  
Color: Black

Terminals: Phosphor Bronze  
Tin Plated  
pin#3B, 4B: Brass, Tin plated

**Mechanical Characteristics**

Insertion Force:  
0.4kg - 3.0kg  
Extraction Force:  
0.4kg - 3.0kg  
Durability: 5000 mating cycles

**Electrical Characteristics**

Contact Resistance:  
Before Test: 50 mohms Max.  
After Durability Test:  
100 mohms Max.

Insulation Resistance:  
More than 100 Megohms  
at 500V DC

Dielectric Strength:  
500V AC RMS for 1 minute

Operating Temp:  
-25°C to +85°C

Voltage Rating:  
16 Volts DC

Current Rating:  
0.3 A

Max Process Temp:  
With Jack mounted on PCB,  
Terminals immersed in solder bath at  
260±5°C for 10±1 sec.



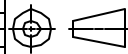
Tolerances

X.X ± 0.25  
X.XX ± 0.15  
Unless Stated  
Otherwise

REV.	DATE	DESCRIPTION	REV. BY	CHK. BY	DRAWN BY	DATE
A1	8/5/05	New Drawing	R. Aguirre	H. MA	R. Aguirre	07/14/05

**STX-4235-3/5-N**

Stacked 3.5mm/3.5mm Stereo Jacks,  
3 Position over 5 Position, RoHS Compliant



UNITS  
mm