

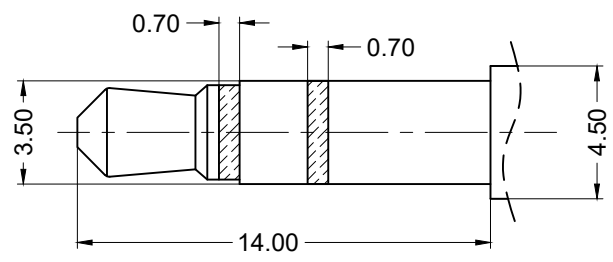
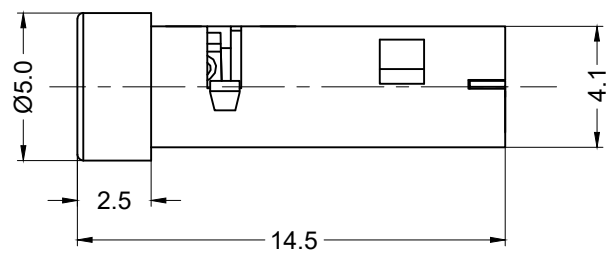
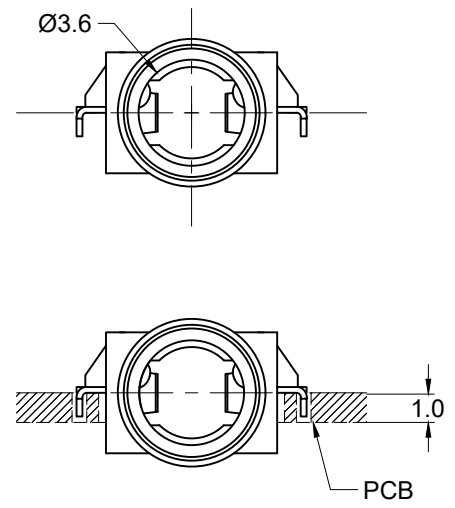
Recommended PCB Layout
(Top View)

Material and Finish

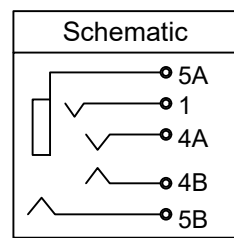
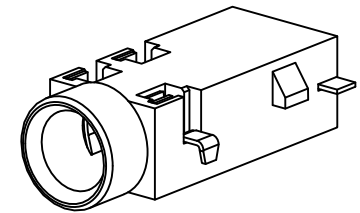
Housing: High Temp Plastic
 Terminals: Copper Alloy,
 Gold Plated

Electrical Specifications

Contact Resistance:
 Before Test: 50 milliohms Max.
 After Durability Test:
 100 milliohms Max.
 Insulation Resistance:
 100 Megohms Min.
 at 500V DC
 Dielectric Strength:
 500V AC RMS for 1 Minute
 Operating Temperature:
 -25°C to +85°C



Plug



RoHS COMPLIANT



Tolerances
X.X ± 0.35
X.XX ± 0.25
Unless Stated
Otherwise

REV.	DATE	DESCRIPTION	REV. BY	CHK. BY	DRAWN BY	DATE
A0	06/19/09	New Drawing	S. Vien	H. MA	S. Vien	06/15/09
A1	09/14/09	ECO #09-070	S. Vien	H. MA		
A2	7/30/10	Release Drawing	H. MA	N/A		UNITS
A3	04/17/12	ECO #12-020	S. Vien	P. DalCanto		
A4	08/14/18	Update Address	D. Shehan	N/A		

STX-35398A-5N-TR

Audio Jack, 3.5mm, Mid-Mount, RoHS Compliant

3 Poles With 1 Open Switch

