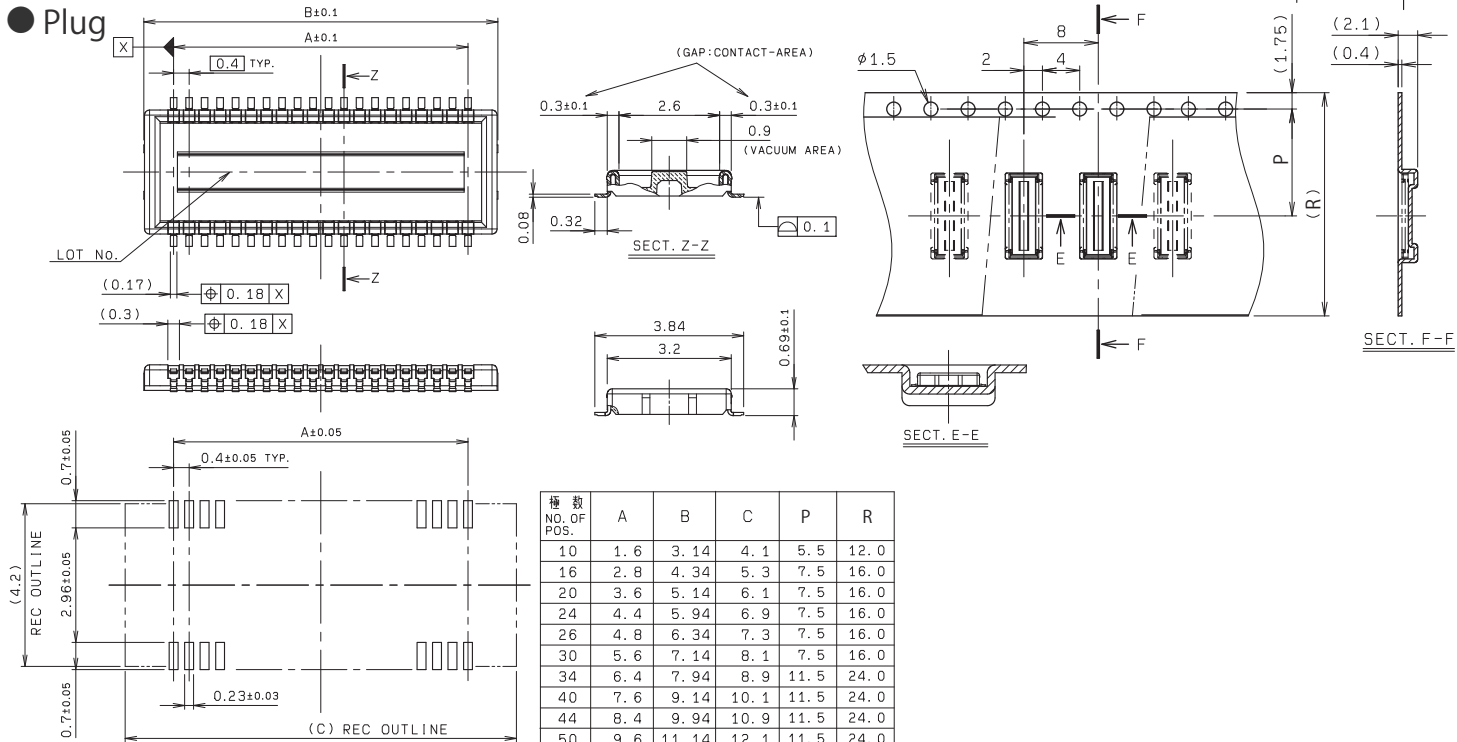


0.4mm Pitch
5805 Series

0.4mmピッチ 嵌合高さ1.0mm 金具無し SMT
0.4mm Pitch, Stacking Height=1.0mm, Without Metal tab, SMT

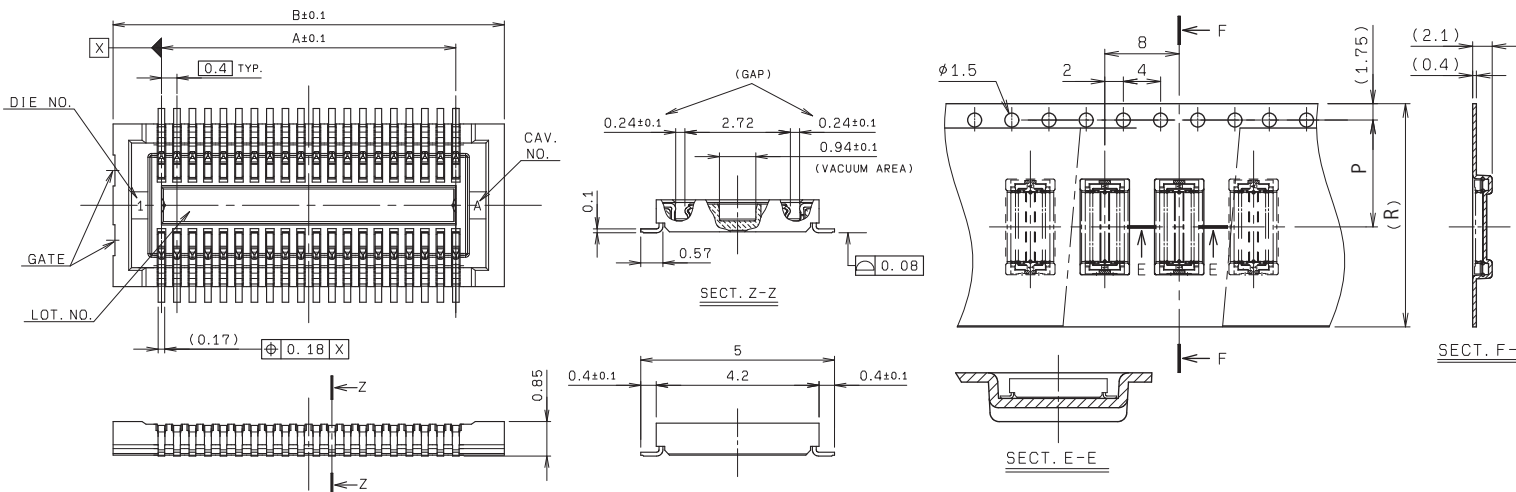
● Plug



極数 NO. OF POS.	A	B	C	P	R
10	1.6	3.14	4.1	5.5	12.0
16	2.8	4.34	5.3	7.5	16.0
20	3.6	5.14	6.1	7.5	16.0
24	4.4	5.94	6.9	7.5	16.0
26	4.8	6.34	7.3	7.5	16.0
30	5.6	7.14	8.1	7.5	16.0
34	6.4	7.94	8.9	11.5	24.0
40	7.6	9.14	10.1	11.5	24.0
44	8.4	9.94	10.9	11.5	24.0
50	9.6	11.14	12.1	11.5	24.0
54	10.4	11.94	12.9	11.5	24.0
60	11.6	13.14	14.1	11.5	24.0

● Receptacle

MOUNTING LAYOUT



極数 NO. OF POS.	A	B	C	P	R
10	1.6	4.1	3.2	5.5	12.0
16	2.8	5.3	4.4	7.5	16.0
20	3.6	6.1	5.2	7.5	16.0
24	4.4	6.9	6.0	7.5	16.0
26	4.8	7.3	6.4	7.5	16.0
30	5.6	8.1	7.2	7.5	16.0
34	6.4	8.9	8.0	11.5	24.0
40	7.6	10.1	9.2	11.5	24.0
44	8.4	10.9	10.0	11.5	24.0
50	9.6	12.1	11.2	11.5	24.0
54	10.4	12.9	12.0	11.5	24.0
60	11.6	14.1	13.2	11.5	24.0

MATING LAYOUT

注文コード/Ordering Code

Plug
Part No. 14 5805 0XX 020 829S+
Receptacle
Part No. 24 5805 0XX 000 829S+

極数 No. of Pos.

極数 No. of Pos.

RoHS 対応品
RoHS Compliant Product

本カタログには推奨めっきを掲載しております。
めっき種類・仕様、ならびに生産対応可能極数については営業部にご確認願います。
Recommended plating types are mentioned in this catalogue.
For other plating types and their specifications, and available numbers of positions, please feel free to contact our sales department.

梱包数量：3,000個/リール
PACKING QUANTITY: 3,000/Reel