

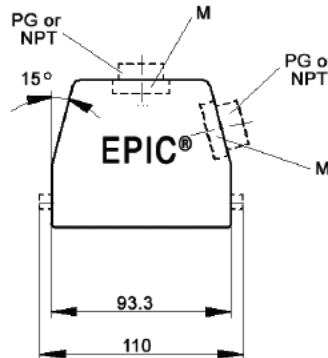
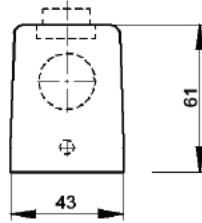
EPIC® Rectangular Connectors



HBE 16 Housings: Single Lever on Base

HOODS

TOP ENTRY



SIDE ENTRY



All dimensions are in mm.

Specifications: DIN 43652
Temperature Range: -40°C to +125°C

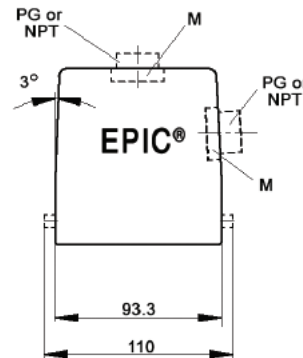
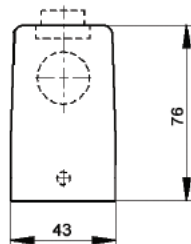
Protection class: NEMA 4, NEMA 12, IP65
Material: Aluminum alloy, powder coated

Position of Cable Entry	Size of Entry			Part Numbers			Complete your installation with a SKINTOP®, Pg 352			
	PG	NPT	Metric	PG	NPT	Metric	PG- Nylon	PG- Metal	Metric- Nylon	Metric- Metal
Top Entry	21	3/4"	25	10080900	100809NP	19080900	53015150	52015750	53111030	53112030
Side Entry	21	3/4"	25	10082900	100829NP	19082900	53015150	52015750	53111030	53112030
	29	1"	32	10092900	100929NP	19092900	53015160	52015760	53111040	53112040

Top Entry Metric hoods do not come with a neck.

HIGH PROFILE HOODS

TOP ENTRY



SIDE ENTRY



All dimensions are in mm.

Specifications: DIN 43652
Temperature Range: -40°C to +125°C

Protection class: NEMA 4, NEMA 12, IP65
Material: Aluminum alloy, powder coated

Position of Cable Entry	Size of Entry			Part Numbers			Complete your installation with a SKINTOP®, Pg 352			
	PG	NPT	Metric	PG	NPT	Metric	PG- Nylon	PG- Metal	Metric- Nylon	Metric- Metric
Top Entry	21	3/4"	25	70094200	700942NP	79094200	53015150	52015750	53111030	53112030
	29	1"	32	70094400	700944NP	79099400	53015160	52015760	53111040	53112040
	-	-	40	-	-	79094600	-	-	53111050	53112050
Side Entry	21	3/4"	25	70104200	701042NP	79104200	53015150	52015750	53111030	53112030
	29	1"	32	70104400	701044NP	79104400	53015160	52015760	53111040	53112040
	-	-	40	-	-	79104800	-	-	53111050	53112050

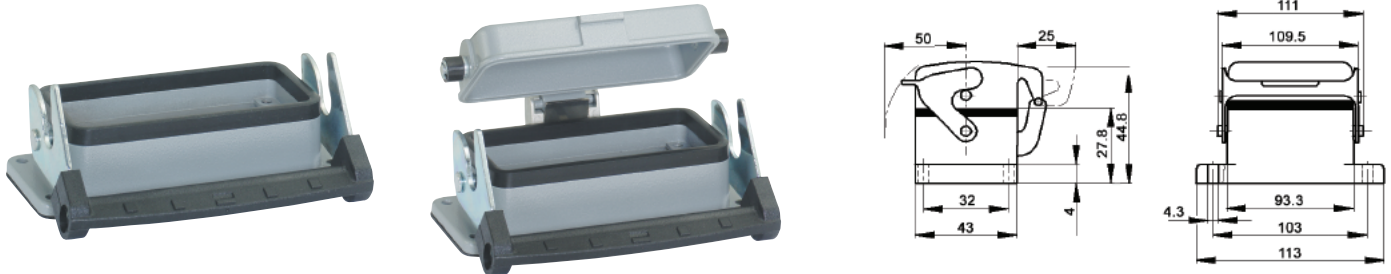
High Profile Metric hoods do not come with a neck.

EPIC® Rectangular Connectors

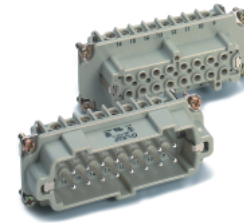


HBE 16 Housings: Single Lever on Base

PANEL MOUNT BASES



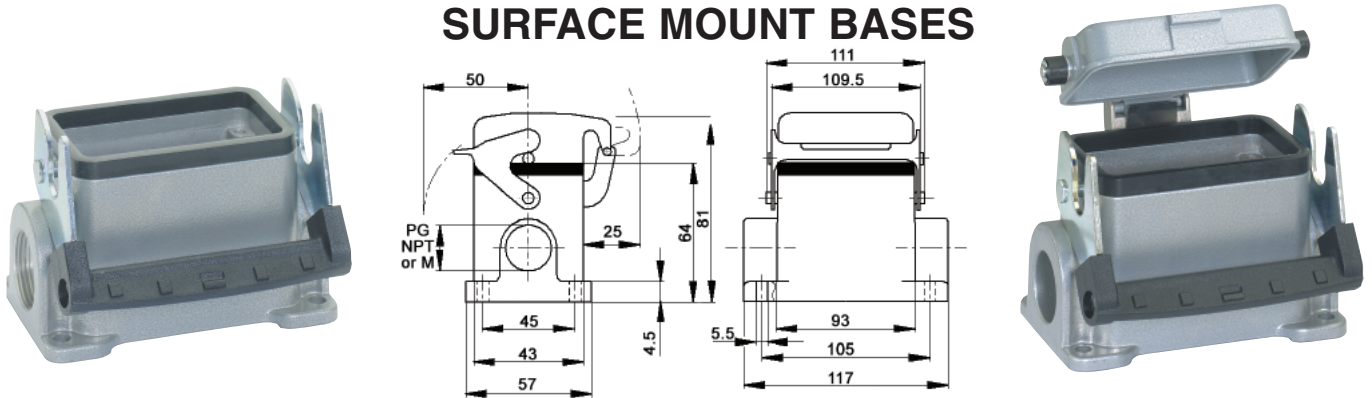
Specifications: DIN 43652
Temperature Range: -40°C to +125°C
Protection class: NEMA 4, NEMA 12, IP65
Material: Aluminum alloy, powder coated



Description	Part Numbers
Panel Mount without Dust Cover	10072900
Panel Mount with Dust Cover	10073900

All dimensions are in mm.

SURFACE MOUNT BASES



All dimensions are in mm.

Specifications: DIN 43652
Temperature Range: -40°C to +125°C
Protection class: NEMA 4, NEMA 12, IP65
Material: Aluminum alloy, powder coated

# of Entries	Size of Entry			Part Numbers			Complete your installation with a SKINTOP®, Pg 352			
	PG	NPT	Metric	PG	NPT	Metric	PG- Nylon	PG- Metal	Metric- Nylon	Metric- Metal
2 Entries	21	3/4"	25	10075900	100759NP	19075900	53015150	52015750	53111030	53112030
1 Entry	21	3/4"	25	10074900	100749NP	19074900	53015150	52015750	53111030	53112030
2 Entries w/ dust cover	21	3/4"	25	10078900	100789NP	19078900	53015150	52015750	53111030	53112030
1 Entry with dust cover	21	3/4"	25	10076900	100769NP	19076900	53015150	52015750	53111030	53112030

DUST COVERS WITH ATTACHMENT STRING



Material: Thermoplastic Resin
Temperature: -40°C to 125°C

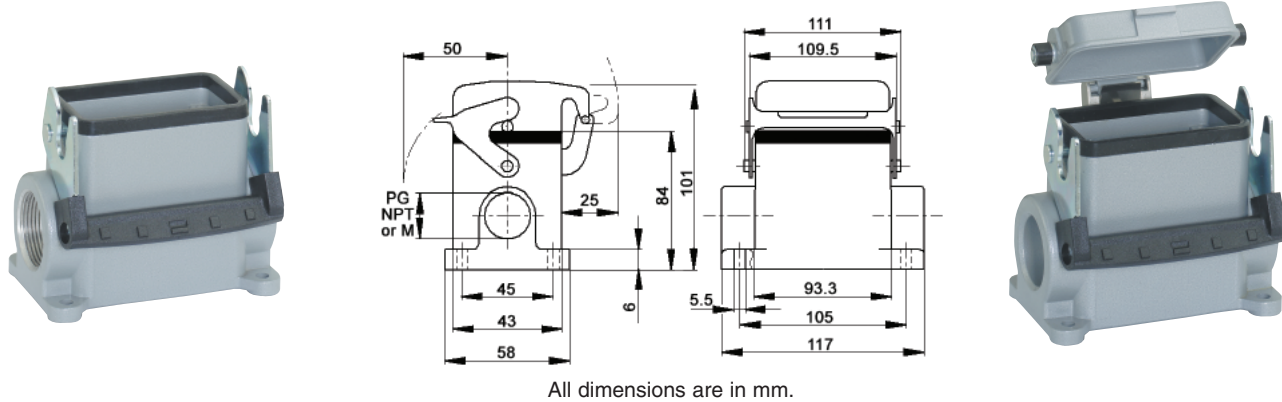
	Part #
Dust cover with single lever for HBE 16 Hoods	10088600
Dust cover with single lever bolts for HBE 16 Panel Mount or Surface Mount Base/ Cable Coupler Hood	10088700

EPIC® Rectangular Connectors



HBE 16 Housings: Single Lever on Base

HIGH PROFILE SURFACE MOUNT BASES



All dimensions are in mm.

Specifications: DIN 43652
Temperature Range: -40°C to +125°C

Protection class: NEMA 4, NEMA 12, IP65
Material: Aluminum alloy, powder coated

# of Entries	Size of Entry			Part Numbers			Complete your installation with a SKINTOP®			
	PG	NPT	Metric	PG	NPT	Metric	PG- Nylon	PG- Metal	Metric- Nylon	Metric- Metal
2 Entries	21	3/4"	25	70111200	701112NP	79111200	53015150	52015750	53111030	53112030
	29	1"	32	70111400	701114NP	79111400	53015160	52015760	53111040	53112040
1 Entry	21	3/4"	25	70110200	701102NP	79110200	53015150	52015750	53111030	53112030
	29	1"	32	70110400	701104NP	79110400	53015160	52015760	53111040	53112040
2 Entries with dust cover	21	3/4"	25	70115200	701152NP	79115200	53015150	52015750	53111030	53112030
	29	1"	32	70115400	701154NP	79115400	53015160	52015760	53111040	53112040
1 Entry with dust cover	21	3/4"	25	70114200	701142NP	79114200	53015150	52015750	53111030	53112030
	29	1"	32	70114400	701144NP	79114400	53015160	52015760	53111040	53112040

CABLE COUPLER HOODS

STANDARD PROFILE

HIGH PROFILE



Specifications: DIN 43652
Temperature Range: -40°C to +125°C

Protection class: NEMA 4, NEMA 12, IP65
Material: Aluminum alloy, powder coated

Position of Cable Entry	Size of Entry			Part Numbers			Complete your installation with a SKINTOP®			
	PG	NPT	Metric	PG	NPT	Metric	PG- Nylon	PG- Metal	Metric- Nylon	Metric- Metal
Standard Profile	21	3/4"	25	10086900	100869NP	19086900	53015150	52015750	53111030	53112030
High Profile	21	3/4"	25	70092200	700922NP	79092200	53015150	52015750	53111030	53112030
	29	1"	32	70092400	700924NP	79092400	53015160	52015760	53111040	53112040

Cable coupler metric hoods do not come with a neck.

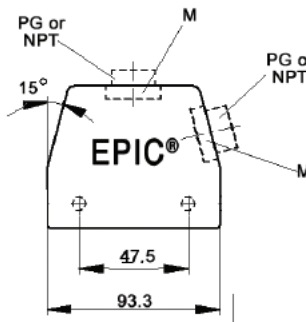
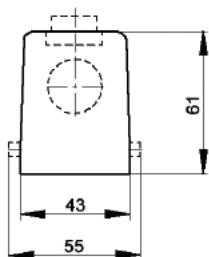
EPIC® Rectangular Connectors



HBE 16 Housings: Double Levers on Base

HOODS

TOP ENTRY



SIDE ENTRY



All dimensions are in mm.

Specifications: DIN 43652
Temperature Range: -40°C to +125°C

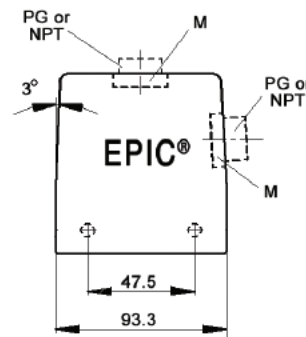
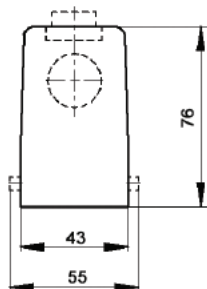
Protection class: NEMA 4, NEMA 12, IP65
Material: Aluminum alloy, powder coated

Position of Cable Entry	Size of Entry			Part Numbers			Complete your installation with a SKINTOP®, Pg 352			
	PG	NPT	Metric	PG	NPT	Metric	PG- Nylon	PG- Metal	Metric- Nylon	Metric- Metal
Top Entry	21	3/4"	25	100800C0	100800NP	19080000	53015150	52015750	53111030	53112030
	29	1"	32	100900C0	100900NP	19090000	53015160	52015760	53111040	53112040
Side Entry	21	3/4"	25	100820C0	100820NP	19082000	53015150	52015750	53111030	53112030
	29	1"	32	100920C0	100920NP	19092000	53015160	52015760	53111040	53112040

Top Entry metric hoods do not come with a neck.

HIGH PROFILE HOODS

TOP ENTRY



SIDE ENTRY



All dimensions are in mm.

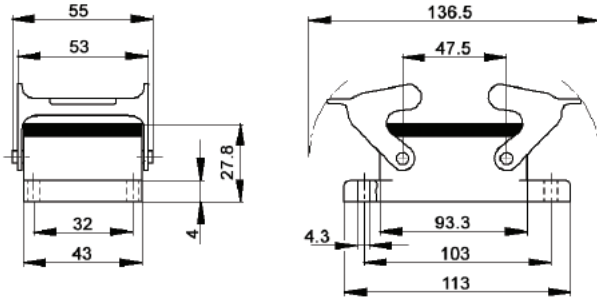
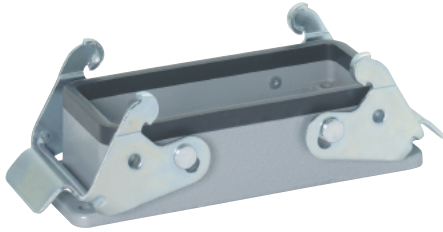
Specifications: DIN 43652
Temperature Range: -40°C to +125°C

Protection class: NEMA 4, NEMA 12, IP65
Material: Aluminum alloy, powder coated

Position of Cable Entry	Size of Entry			Part Numbers			Complete your installation with a SKINTOP®, Pg 352			
	PG	NPT	Metric	PG	NPT	Metric	PG- Nylon	PG- Metal	Metric- Nylon	Metric- Metal
Top Entry	21	3/4"	25	701002C0	701002NP	79100200	53015150	52015750	53111030	53112030
	29	1"	32	701004C0	701004NP	79100400	53015160	52015760	53111040	53111040
	-	-	40	-	-	79100800	-	-	53111050	53112050
Side Entry	21	3/4"	25	701022C0	701022NP	79102200	53015150	52015750	53111030	53112030
	29	1"	32	701024C0	701024NP	79102400	53015160	52015760	53111040	53111040
	-	-	40	-	-	79102800	-	-	53111050	53112050

High Profile Metric hoods do not come with a neck.

PANEL MOUNT BASES

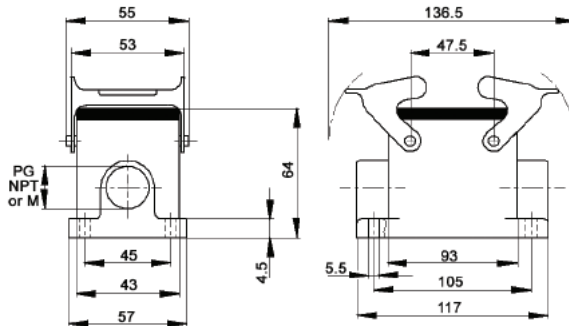
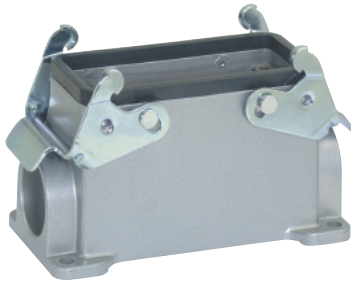


All dimensions are in mm.

Specifications: DIN 43652
Temperature Range: -40°C to +125°C
Protection class: NEMA 4, NEMA 12, IP65
Material: Aluminum alloy, powder coated

Description	Part Numbers
Panel Mount without Dust Cover	100720C0

SURFACE MOUNT BASES



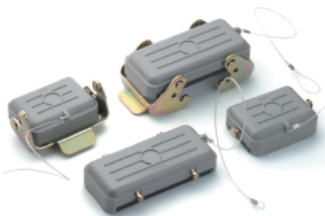
All dimensions are in mm.

Specifications: DIN 43652
Temperature Range: -40°C to +125°C

Protection class: NEMA 4, NEMA 12, IP65
Material: Aluminum alloy, powder coated

# of Entries	Size of Entry			Part Numbers			Complete your installation with a SKINTOP®, Pg 352			
	PG	NPT	Metric	PG	NPT	Metric	PG- Nylon	PG- Metal	Metric- Nylon	Metric- Metal
2 Entries	21	3/4"	25	100750C0	100750NP	19075000	53015150	52015750	53111030	53112030
1 Entry	21	3/4"	25	100740C0	100740NP	19074000	53015150	52015750	53111040	53112030

DUST COVERS WITH ATTACHMENT STRING



Material: Thermoplastic Resin

Temperature: -40°C to +125°C

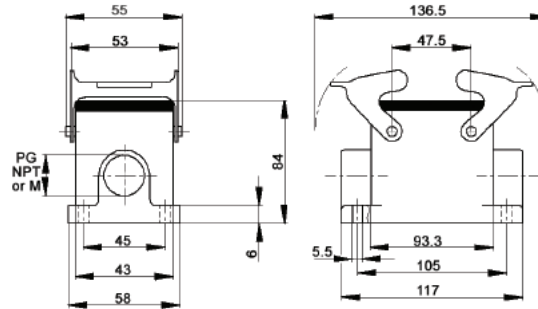
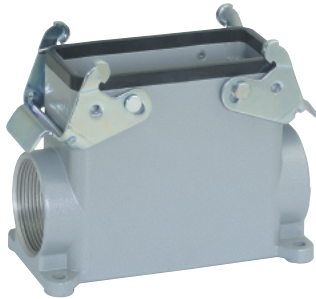
	Part #
Dust cover with double levers and gasket for HBE 16 Hoods	10088500
Dust cover with double lever bolts for HBE 16 Panel Mount or Surface Mount Base/ Cable Coupler Hood	10087000

EPIC® Rectangular Connectors



HBE 16 Housings: Double Levers on Base

HIGH PROFILE SURFACE MOUNT BASES



All dimensions are in mm.

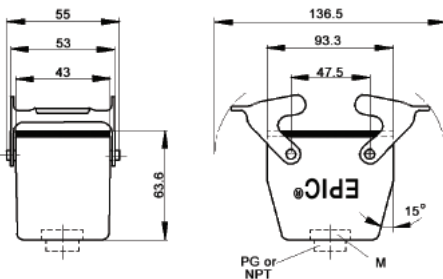
Specifications: DIN 43652
Temperature Range: -40°C to +125°C

Protection class: NEMA 4, NEMA 12, IP65
Material: Aluminum alloy, powder coated

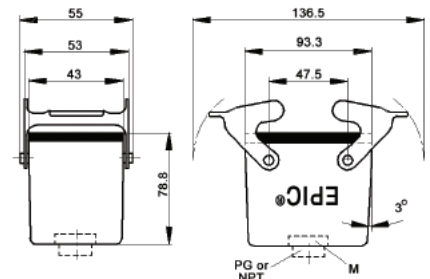
# of Entries	Size of Entry			Part Numbers			Complete your installation with a SKINTOP®, Pg 352			
	PG	NPT	Metric	PG	NPT	Metric	PG- Nylon	PG- Metal	Metric- Nylon	Metric- Metal
2 Entries without cover	21	3/4"	25	700862C0	700862NP	79086200	53015150	52015750	53111030	53112030
	29	1"	32	700864C0	700864NP	79086400	53015160	52015760	53111040	53112040
1 Entry without dust cover	21	3/4"	25	70085200	700852NP	79085200	53015150	52015750	53111030	53112030
	29	1"	32	700854C0	700854NP	79085400	53015160	52015760	53111040	53112040

CABLE COUPLER HOODS

STANDARD PROFILE



HIGH PROFILE



All dimensions are in mm.

Specifications: DIN 43652
Temperature Range: -40°C to +125°C

Protection class: NEMA 4, NEMA 12, IP65
Material: Aluminum alloy, powder coated

Profile	Size of Entry			Part Numbers			Complete your installation with a SKINTOP®, Pg 352			
	PG	NPT	Metric	PG	NPT	Metric	PG- Nylon	PG- Metal	Metric- Nylon	Metric- Metal
Standard Profile	21	3/4"	25	100860C0	100860NP	19086000	53015150	52015750	53111030	53112030
High Profile	21	3/4"	25	700902C0	700902NP	79090200	53015150	52015750	53111030	53112030
	29	1"	32	700904C0	700904NP	79090400	53015160	52015760	53111040	53112040

Cable Coupler Metric hoods do not come with a neck.