

EPIC® Rectangular Connectors

HBE 24 Plugs & Receptacles

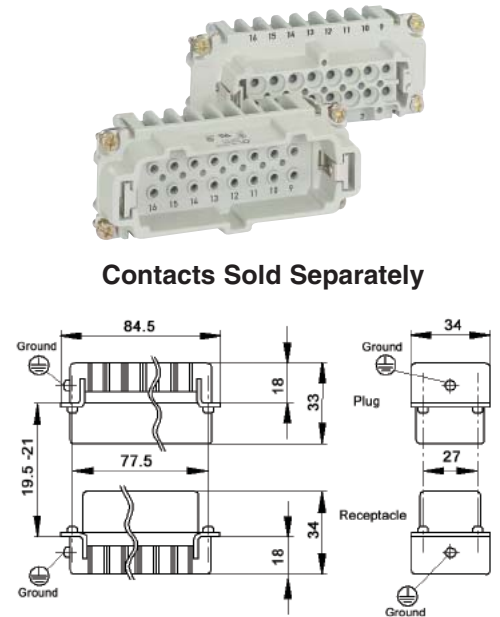
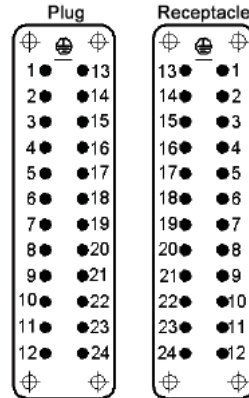
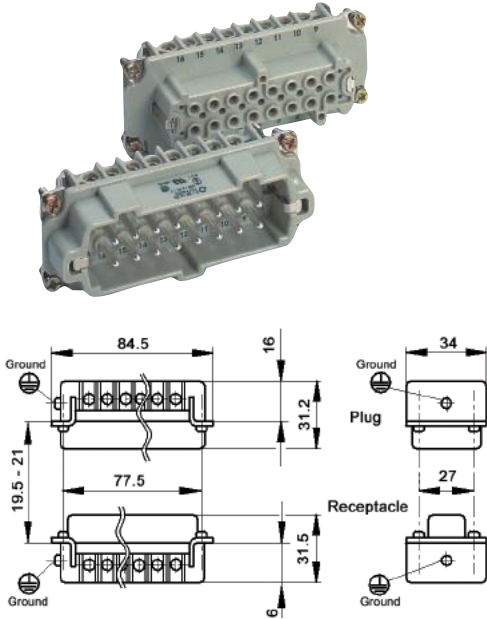


HBE 24 SCREW & CRIMP TERMINATED INSERTS

SCREW TERMINATED

View from Cable Side

CRIMP TERMINATED



All dimensions are in mm.

Description	Plug	Receptacle
Screw Terminated with wire protection	10196000	10197000
Screw Terminated without wire protection	10196100	10197100
Crimp Terminated: Machine	10186000	10187000



MACHINED CONTACTS: DIAMETER 2.5 MM²



Bags of 100							
mm ²	AWG	Silver		Gold		Stripping Length (mm)	# of Marking Tracks
		Pin	Socket	Pin	Socket		
0.5	20	11190000	11195000	11192000	11197000	Pin=7.4, Socket =7.3	-
.75 - 1.0	18	11190100	11195100	11192100	11197100	Pin=7.4, Socket =7.3	1
1.5	16	11190200	11195200	11192200	11197200	Pin=7.4, Socket =7.3	2
2.5	14	11190300	11195300	-	-	Pin=7.4, Socket =7.3	3
4.0	12	11190400	11195400	-	-	Pin=7.4, Socket =7.3	-

Part number= 1 contact



Crimp Tool
11147000



Crimp Dies
11147100

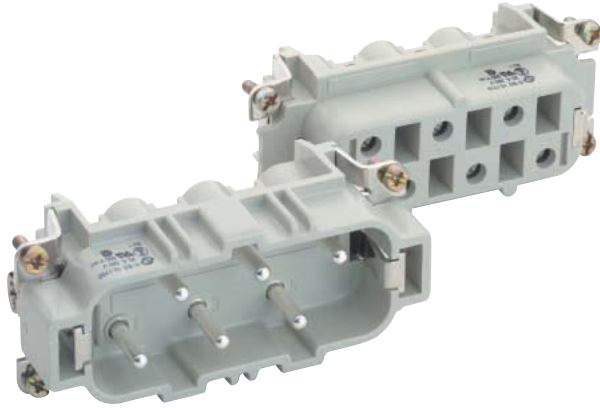


Locator
11147200

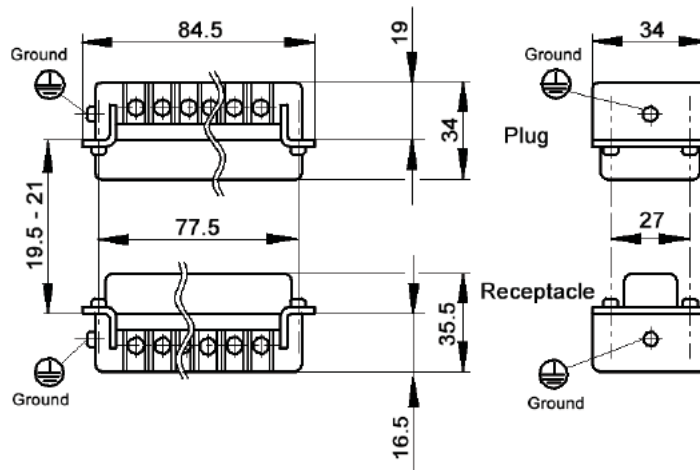
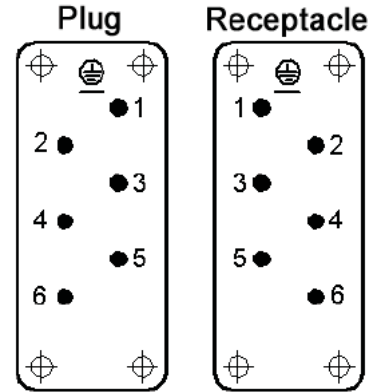
For removal of contacts use a slotted screwdriver.
No special tool is necessary.

Please note that the crimp range for this tool is 0.14 to 4.0 mm² (AWG 26 - 12) with the appropriate crimp dies.

HBS 6 SCREW TERMINATED INSERTS



View from cable side



All dimensions are in mm.

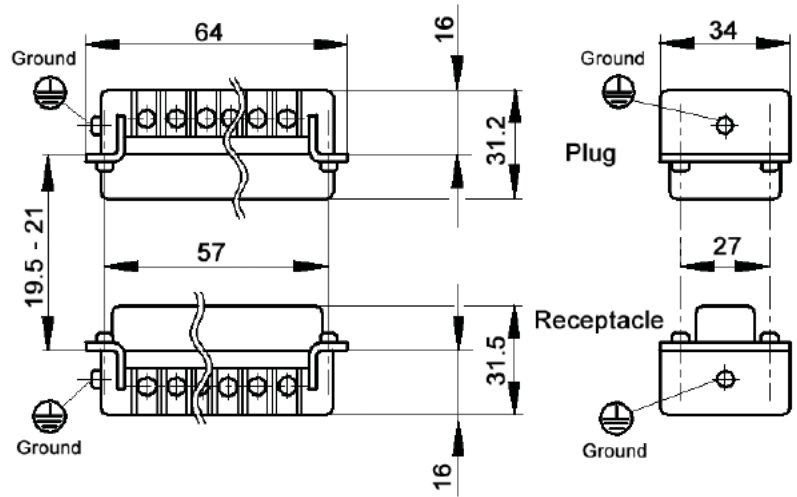


Description	Plug	Receptacle
#1-6	10170000	10171000

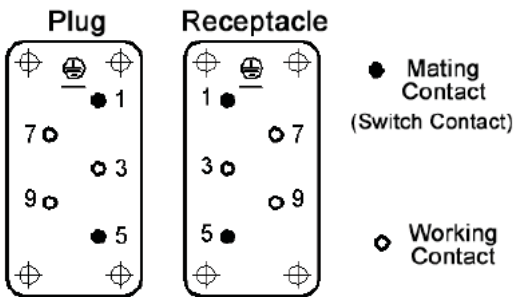
HBVE 3 SCREW TERMINATED INSERTS



View from cable side

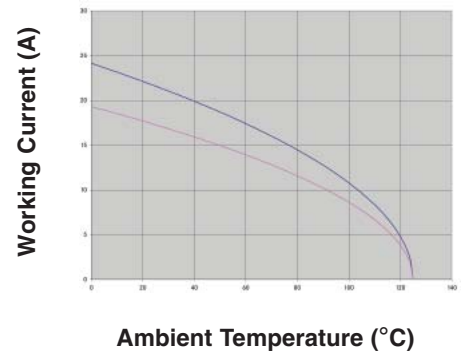
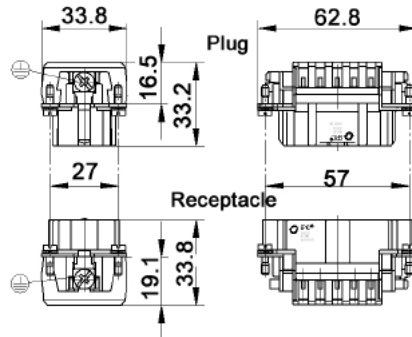


All dimensions are in mm.



Description	Plug	Receptacle
With wire protection	10210010	10211010
Without wire protection	10210110	10211110

HBVE 3 CAGE CLAMP INSERTS



Plug	Receptacle
10210040	10211040

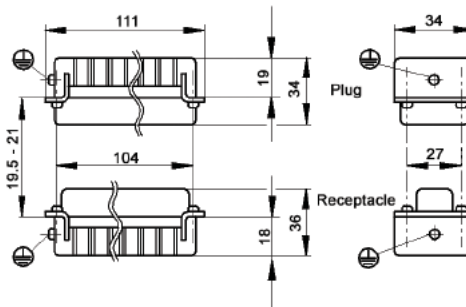


EPIC® Rectangular Connectors

HD Series

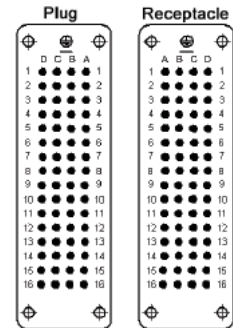


HD 64 CRIMP TERMINATED: STAMPED & FORMED CONTACT INSERTS



All dimensions are in mm.

View from cable side

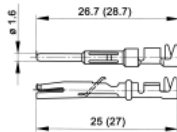
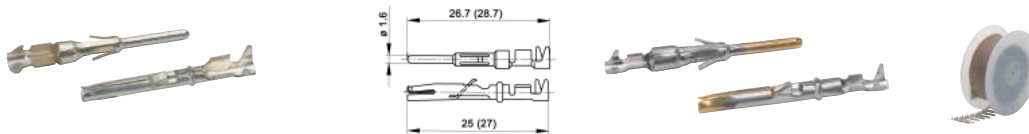


Contacts Sold Separately

Plug	Receptacle
11270000	11271000



STAMPED & FORMED CONTACTS: DIAMETER 1.6 MM



mm ²	Stripping Length (mm)
0.14 - 0.5	2.5 - 0.5
0.5 - 1.5	3.5 - 0.5
1.5 - 2.5	3.5 - 0.5

		Bags of 100: Silver		Bags of 100: Gold		Reel of 100: Silver Left Hand Feed		Reel of 200: Silver Left Hand Feed	
mm ²	AWG	Pin	Socket	Pin	Socket	Pin	Socket	Pin	Socket
0.14 - 0.5	26 - 20	11241100	11231100	11243100	11233100	-	-	11240700	11230700
0.5 - 1.5	20 - 16	11221000	11236100	11221300	11238100	-	-	11220700	11235700
1.5 - 2.5	16 - 14	11223500	11228500	-	-	11223000	11228000	-	-

		Reel of 2000: Right Hand Feed- Silver		Reel of 2000: Right Hand Feed- Gold		Reel of 2000: Left Hand Feed- Silver		Reel of 2000: Left Hand Feed- Silver	
mm ²	AWG	Pin	Socket	Pin	Socket	Pin	Socket	Pin	Socket
		0.14 - 0.5	26 - 20	11240000	11230000	-	-	11240400	11230400
0.5 - 1.5	20 - 16	11220000	11235000	11220100	11235200	11226000	11226500	-	-
1.5 - 2.5	16 - 14	-	-	-	-	11222700	11227700	-	-

Part number= 1 contact (bags) or 1 reel.



Crimp Tool
11147000



Locator
11147300



Removal Tool: 11161000



Crimp Tool for Reel:
11153500



Crimp Dies
0.14-0.5: 11147170
0.5-1.5: 11147180
1.5-2.5: 11147190

Crimp Dies for Reel:
0.14-0.5: 11153600
0.5-1.5: 11153700
1.5-2.5: 11153800



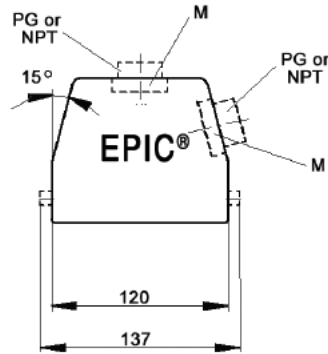
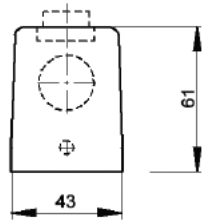
EPIC® Rectangular Connectors



HBE 24 Housings: Single Lever on Base

HOODS

TOP ENTRY



SIDE ENTRY



All dimensions are in mm.

Specifications: DIN 43652
Temperature Range: -40°C to +125°C

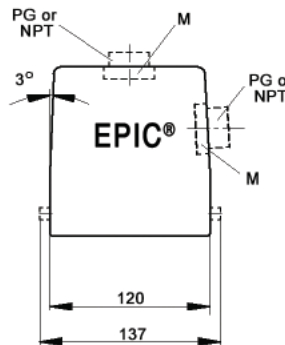
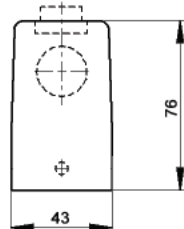
Protection class: NEMA 4, NEMA 12, IP65
Material: Aluminum alloy, powder coated

Position of Cable Entry	Size of Entry			Part Numbers			Complete your installation with a SKINTOP®, Pg 352			
	PG	NPT	Metric	PG	NPT	Metric	PG- Nylon	PG- Metal	Metric- Nylon	Metric- Metal
Top Entry	21	3/4"	25	10121900	101219NP	19121900	53015150	52015750	53111030	53112030
	29	1"	32	10111900	101119NP	19111900	53015160	52015760	53111040	53112040
Side Entry	21	3/4"	25	10113900	101139NP	19113900	53015150	52015750	53111030	53112030
	29	1"	32	10123900	101239NP	19123900	53015160	52015760	53111040	53112040

Top Entry Metric hoods do not come with a neck.

HIGH PROFILE HOODS

TOP ENTRY



SIDE ENTRY



All dimensions are in mm.

Specifications: DIN 43652
Temperature Range: -40°C to +125°C

Protection class: NEMA 4, NEMA 12, IP65
Material: Aluminum alloy, powder coated

Position of Cable Entry	Size of Entry			Part Numbers			Complete your installation with a SKINTOP®, Pg 352			
	PG	NPT	Metric	PG	NPT	Metric	PG- Nylon	PG- Metal	Metric- Nylon	Metric- Metal
Top Entry	21	3/4"	25	70144400	701444NP	79144400	53015150	52015750	53111030	53112030
	29	1"	32	70144600	701446NP	79144600	53015160	52015760	53111040	53112040
	-	-	40	-	-	79144800	-	-	53111050	53112050
Side Entry	21	3/4"	25	70154400	701544NP	79154400	53015150	52015750	53111030	53112030
	29	1"	32	70154600	701546NP	79154600	53015160	52015760	53111040	53112040
	-	-	40	-	-	79154800	-	-	53111050	53112050

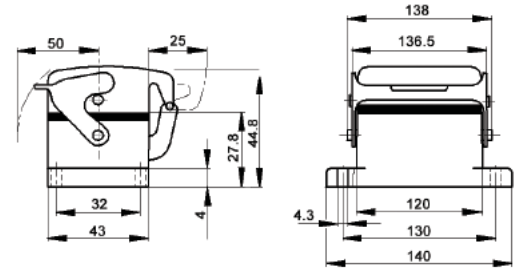
High Profile Metric hoods do not come with a neck.

EPIC® Rectangular Connectors

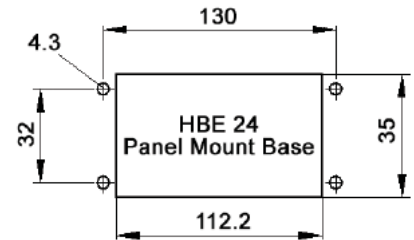


HBE 24 Housings: Single Lever on Base

PANEL MOUNT BASES



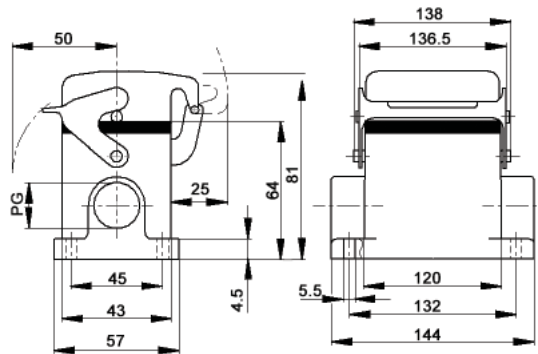
Specifications: DIN 43652
Temperature Range: -40°C to +125°C
Protection class: NEMA 4, NEMA 12, IP65
Material: Aluminum alloy, powder coated



Description	Part Numbers
Panel Mount without Dust Cover	10102900
Panel Mount with Dust Cover	10103900

All dimensions are in mm.

SURFACE MOUNT BASES



All dimensions are in mm.

Specifications: DIN 43652
Temperature Range: -40°C to +125°C

Protection class: NEMA 4, NEMA 12, IP65
Material: Aluminum alloy, powder coated

# of Entries	Size of Entry			Part Numbers			Complete your installation with a SKINTOP®, Pg 352			
	PG	NPT	Metric	PG	NPT	Metric	PG- Nylon	PG- Metal	Metric- Nylon	Metric- Metal
2 Entries	21	3/4"	25	10105900	101059NP	19105900	53015150	52015750	53111030	53112030
1 Entry	21	3/4"	25	10104900	101049NP	19104900	53015150	52015750	53111030	53112030
2 Entries w/ dust cover	21	3/4"	25	10109900	101099NP	19109900	53015150	52015750	53111030	53112030
1 Entry with dust cover	21	3/4"	25	10107900	101079NP	19107900	53015150	52015750	53111030	53112040

DUST COVERS WITH ATTACHMENT STRING



Material: Thermoplastic Resin

Temperature: -40°C to 125°C

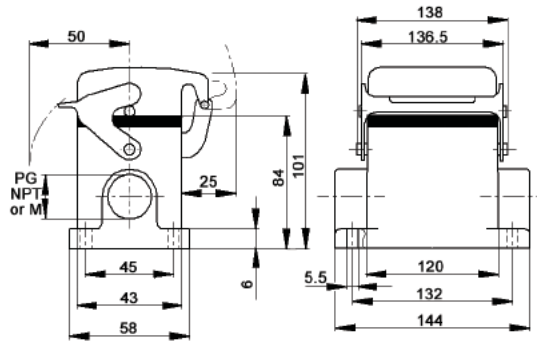
	Part #
Dust cover with single lever for HBE 24 Hoods	10118600
Dust cover with single lever bolts for HBE 24 Panel Mount or Surface Mount Base/ Cable Coupler Hood	10118700

EPIC® Rectangular Connectors



HBE 24 Housings: Single Lever on Base

HIGH PROFILE SURFACE MOUNT BASES



All dimensions are in mm.

Specifications: DIN 43652
Temperature Range: -40°C to +125°C

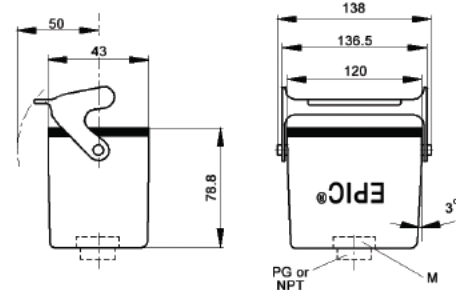
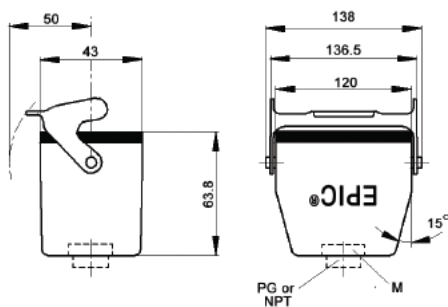
Protection class: NEMA 4, NEMA 12, IP65
Material: Aluminum alloy, powder coated

# of Entries	Size of Entry			Part Numbers			Complete your installation with a SKINTOP®, Pg 352			
	PG	NPT	Metric	PG	NPT	Metric	PG- Nylon	PG- Metal	Metric- Nylon	Metric- Metal
2 Entries	21	3/4"	25	70161200	701612NP	79161200	53015150	52015750	53111030	53112030
	29	1"	32	70161400	701614NP	79161400	53015160	52015760	53111040	53112040
1 Entry	21	3/4"	25	70160200	701602NP	79160200	53015150	52015750	53111030	53112030
	29	1"	32	70160400	701604NP	79160400	53015160	52015760	53111040	53112040
2 Entries with dust cover	21	3/4"	25	70165200	701652NP	79165200	53015150	52015750	53111030	53112030
	29	1"	32	70165400	701654NP	79165400	53015160	52015760	53111040	53112040
1 Entry with dust cover	21	3/4"	25	70164200	701642NP	79164200	53015150	52015750	53111030	53112030
	29	1"	32	70164400	701644NP	79164400	53015160	52015760	53111040	53112040

CABLE COUPLER HOODS

STANDARD PROFILE

HIGH PROFILE



Specifications: DIN 43652
Temperature Range: -40°C to +125°C

Protection class: NEMA 4, NEMA 12, IP65
Material: Aluminum alloy, powder coated

Profile	Size of Entry			Part Numbers			Complete your installation with a SKINTOP®, Pg 352			
	PG	NPT	Metric	PG	NPT	Metric	PG- Nylon	PG- Metal	Metric- Nylon	Metric- Metal
Standard Profile	21	3/4"	25	10127900	101279NP	19127900	53015150	52015750	53111030	53112030
	29	1"	32	10117900	101179NP	19117900	53015160	52015760	53111040	53112040
High Profile	21	3/4"	25	70142400	701424NP	79142400	53015150	52015750	53111030	53112030
	29	1"	32	70142600	701426NP	79142600	53015160	52015760	53111040	53112040

Cable coupler metric hoods do not come with a neck.

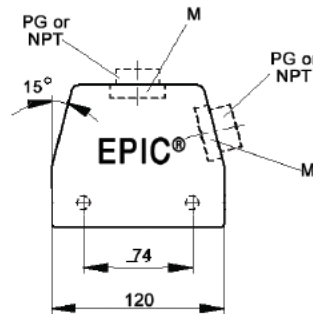
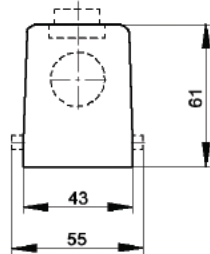
EPIC® Rectangular Connectors



HBE 24 Housings: Double Levers on Base

HOODS

TOP ENTRY



SIDE ENTRY



All dimensions are in mm.

Specifications: DIN 43652
Temperature Range: -40°C to +125°C

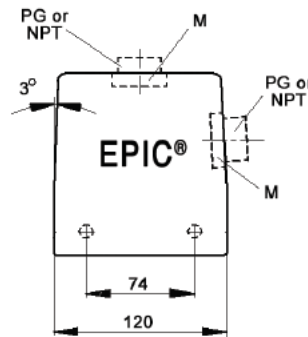
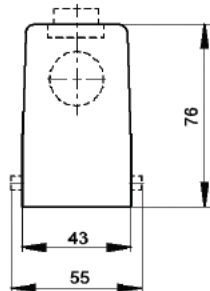
Protection class: NEMA 4, NEMA 12, IP65
Material: Aluminum alloy, powder coated

Position of Cable Entry	Size of Entry			Part Numbers			Complete your installation with a SKINTOP®, Pg 352			
	PG	NPT	Metric	PG	NPT	Metric	PG- Nylon	PG- Metal	Metric- Nylon	Metric- Metal
Top Entry	21	3/4"	25	101210C0	101210NP	19121000	53015150	52015750	53111030	53112030
	29	1"	32	101110C0	101110NP	19111000	53015160	52015760	53111040	53112040
Side Entry	21	3/4"	25	101130C0	101130NP	19113000	53015150	52015750	53111030	53112030
	29	1"	32	101230C0	101230NP	19123000	53015160	52015760	53111040	53112040

Top Entry metric hoods do not come with a neck.

HIGH PROFILE HOODS

TOP ENTRY



SIDE ENTRY



All dimensions are in mm.

Specifications: DIN 43652
Temperature Range: -40°C to +125°C

Protection class: NEMA 4, NEMA 12, IP65
Material: Aluminum alloy, powder coated

Position of Cable Entry	Size of Entry			Part Numbers			Complete your installation with a SKINTOP®, Pg 352			
	PG	NPT	Metric	PG	NPT	Metric	PG- Nylon	PG- Metal	Metric- Nylon	Metric- Metal
Top Entry	21	3/4"	25	701504C0	701504NP	79150400	53015150	52015750	53111030	53112030
	29	1"	32	701506C0	701506NP	79150600	53015160	52015760	53111040	53111040
	-	-	40	-	-	79150800	-	-	53111050	53112050
Side Entry	21	3/4"	25	701524C0	701524NP	79152400	53015150	52015750	53111030	53112030
	29	1"	32	701526C0	701526NP	79152600	53015160	52015760	53111040	53111040
	-	-	40	-	-	79152800	-	-	53111050	53112050

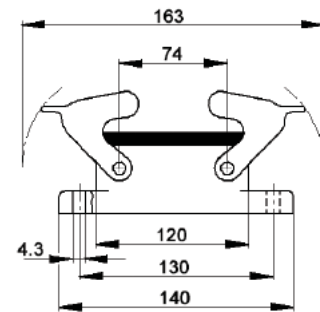
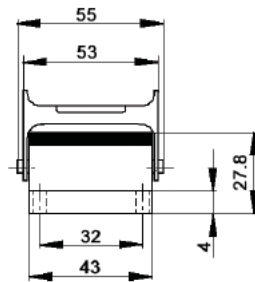
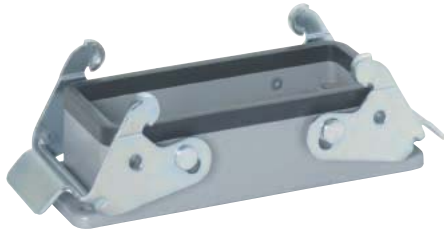
High Profile Metric hoods do not come with a neck.

EPIC® Rectangular Connectors



HBE 24 Housings: Double Levers on Base

PANEL MOUNT BASES



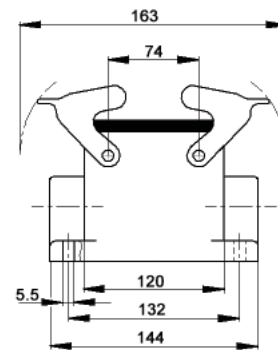
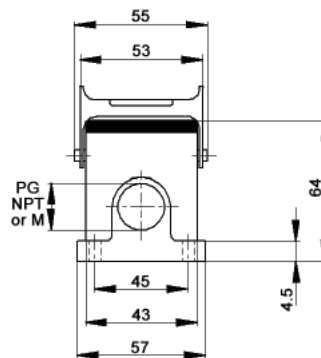
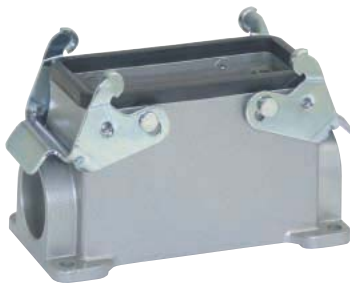
Specifications:
Temperature Range:
Protection class:
Material:

DIN 43652
 -40°C to +125°C
 NEMA 4, NEMA 12, IP65
 Aluminum alloy, powder coated

All dimensions are in mm.

Description	Part Numbers
Panel Mount without Dust Cover	101020C0

SURFACE MOUNT BASES



All dimensions are in mm.

Specifications: DIN 43652
Temperature Range: -40°C to +125°C

Protection class: NEMA 4, NEMA 12, IP65
Material: Aluminum alloy, powder coated

# of Entries	Size of Entry			Part Numbers			Complete your installation with a SKINTOP®, Pg 352			
	PG	NPT	Metric	PG	NPT	Metric	PG- Nylon	PG- Metal	Metric- Nylon	Metric- Metal
2 Entries	21	3/4"	25	101050C0	101050NP	19105000	53015150	52015750	53111030	53112030
1 Entry	21	3/4"	25	101040C0	101040NP	19104000	53015150	52015720	53111030	53112030

DUST COVERS WITH ATTACHMENT STRING



Material: Thermoplastic Resin

Temperature: -40°C to +125°C

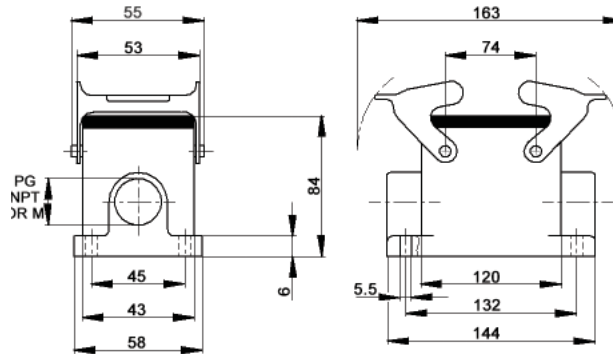
	Part #
Dust cover with double levers and gasket for HBE 16 Hoods	10119500
Dust cover with double lever bolts for HBE 16 Panel Mount or Surface Mount Base/ Cable Coupler Hood	10118000

EPIC® Rectangular Connectors



HBE 24 Housings: Double Levers on Base

HIGH PROFILE SURFACE MOUNT BASES



All dimensions are in mm.

Specifications: DIN 43652
Temperature Range: -40°C to +125°C

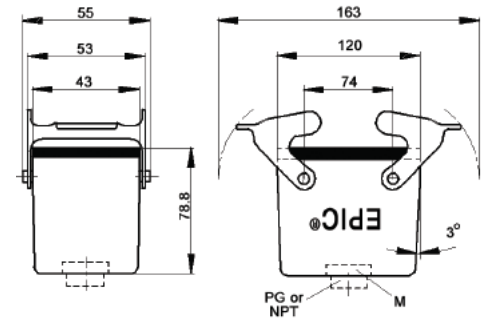
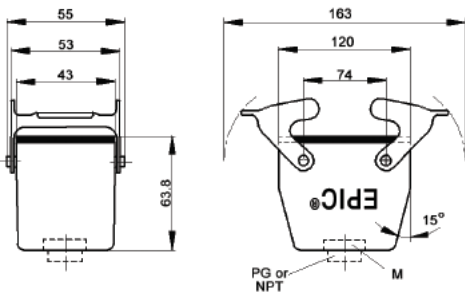
Protection class: NEMA 4, NEMA 12, IP65
Material: Aluminum alloy, powder coated

# of Entries	Size of Entry			Part Numbers			Complete your installation with a SKINTOP®, Pg 352			
	PG	NPT	Metric	PG	NPT	Metric	PG- Nylon	PG- Metal	Metric- Nylon	Metric- Metal
2 Entries without cover	21	3/4"	25	70136200	701362NP	79136200	53015150	52015750	53111030	53112030
	29	1"	32	701364C0	701364NP	79136400	53015160	52015760	53111040	53112040
1 Entry without dust cover	21	3/4"	25	701352C0	701352NP	79135200	53015150	52015750	53111030	53112030
	29	1"	32	701354C0	701354NP	79135400	53015160	52015760	53111040	53112040

CABLE COUPLER HOODS

STANDARD PROFILE

HIGH PROFILE



All dimensions are in mm.

Specifications: DIN 43652
Temperature Range: -40°C to +125°C

Protection class: NEMA 4, NEMA 12, IP65
Material: Aluminum alloy, powder coated

Profile	Size of Entry			Part Numbers			Complete your installation with a SKINTOP®, Pg 352			
	PG	NPT	Metric	PG	NPT	Metric	PG- Nylon	PG- Metal	Metric- Nylon	Metric- Metal
Standard Profile	21	3/4"	25	101270C0	101270NP	19127000	53015150	52015750	53111030	53112030
	29	1"	32	101170C0	101170NP	19117000	53015160	52015760	53111040	53112040
High Profile	21	3/4"	25	701404C0	701404NP	79140400	53015150	52015750	53111030	53112030
	29	1"	32	701406C0	701406NP	79140600	53015160	52015760	53111040	53112040

Metric hoods do not come with a neck.