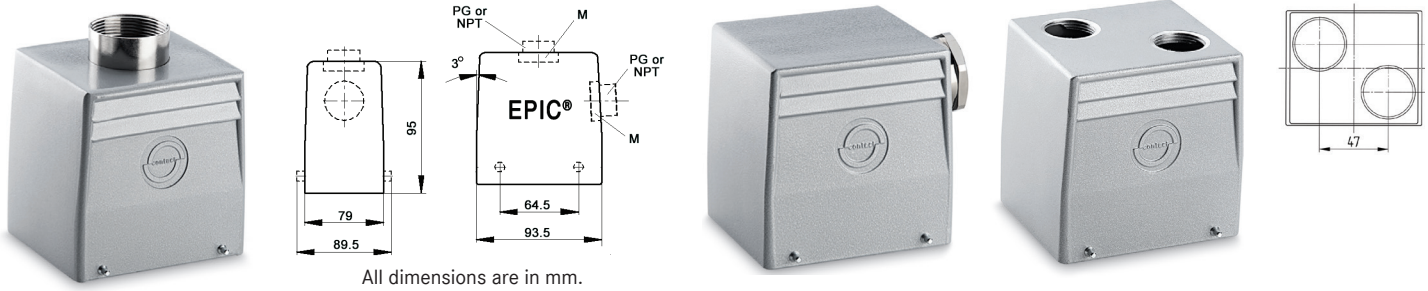


EPIC® HB 32 Standard Hoods

Double Lever Bolts



All dimensions are in mm.

Technical Data

Specifications:	DIN 43652	Protection Class:	NEMA 4, NEMA 12, IP65
Temperature Range:	-40°C to +125°C	Material:	Powder-coated aluminum alloy

PG	Size of Entry		PG	Part Number		Complete the Installation: SKINTOP® Strain Relief, page 368			
	NPT	Metric		NPT	Metric	PG Nylon	PG Metal	Metric Nylon	Metric Metal
Top Entry									
21	3/4"	—	101330	101330NP	—	53015050	52015750	—	—
—	—	25 x 2	—	—	44422022	—	—	53111030	53112030
29	1"	32	101340	101340NP	19134000	53015060	52015760	53111040	53112040
—	—	32 x 2	—	—	44422023	—	—	53111040	53112040
—	1 1/4"	40	—	101343NP	19134400	—	—	53111050	53112050
Side Entry									
21	3/4"	25	101350	101350NP	19135000	53015050	52015750	—	—
29	1"	32	101360	101360NP	19136000	53015060	52015760	53111040	53112040
—	—	40	—	—	19136200	—	—	53111050	53112050

Approvals



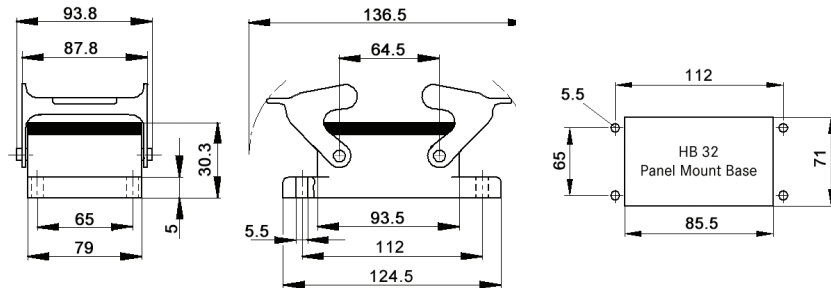
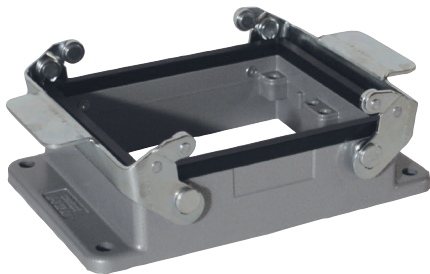
Complete the Installation



HB Dust Covers:
page 415

EPIC® HB 32 Panel Mount Bases

Double Levers



All dimensions are in mm.

Technical Data

Specifications:	DIN 43652	Protection Class:	NEMA 4, NEMA 12, IP65
Temperature Range:	-40°C to +125°C	Material:	Powder-coated aluminum alloy

Description	Part Number
Panel Mount Base	101320C0

Complete the Installation



HB Dust Covers:
page 415

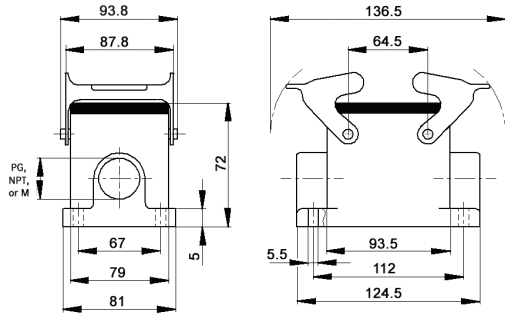
Approvals



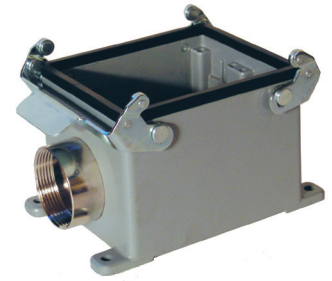
Photographs are not to scale and are not true representations of the products in question. For current information go to our website. If not otherwise specified, all values relating to the product are nominal values.

EPIC® HB 32 Surface Mount Bases

Double Levers



All dimensions are in mm.



Technical Data			
Specifications:	DIN 43652	Protection Class:	NEMA 4, NEMA 12, IP65
Temperature Range:	-40°C to +125°C	Material:	Powder-coated aluminum alloy

PG	Size of Entry		PG	Part Number		Complete the Installation: SKINTOP® Strain Relief, page 368			
	NPT	Metric		NPT	Metric	PG Nylon	PG Metal	Metric Nylon	Metric Metal
2 Entries									
29	1"	32	101380	101380NP	19138000	53015060	52015760	53111040	53112040
-	-	40	-	-	19146400	-	-	53111050	53112050
1 Entry									
29	1"	32	101670	101670NP	19137000	53015060	52015760	53111040	53112040
-	-	40	-	-	19145400	-	-	53111050	53112050

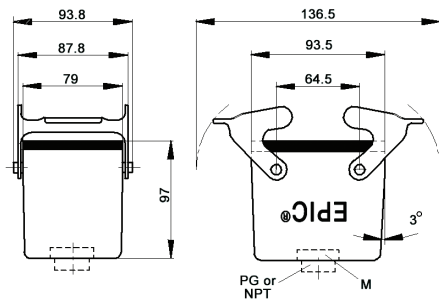
Approvals

Complete the Installation

HB Dust Covers: page 415

EPIC® HB 32 Cable Coupler Hoods

Double Levers



All dimensions are in mm.



Technical Data			
Specifications:	DIN 43652	Protection Class:	NEMA 4, NEMA 12, IP65
Temperature Range:	-40°C to +125°C	Material:	Powder-coated aluminum alloy

PG	Size of Entry		PG	Part Number		Complete the Installation: SKINTOP® Strain Relief, page 368			
	NPT	Metric		NPT	Metric	PG Nylon	PG Metal	Metric Nylon	Metric Metal
21	3/4"	-	101390	101390NP	-	53015050	52015750	-	-
29	1"	32	101395	101395NP	19139500	53015060	52015760	53111040	53112040

Approvals

Complete the Installation

HB Dust Covers: page 415

Photographs are not to scale and are not true representations of the products in question. For current information go to our website. If not otherwise specified, all values relating to the product are nominal values.