

SKINTOP® CLICK/ CLICK-R



Liquid Tight, Non-Metallic Strain Relief with Quick “Click” Insertion System

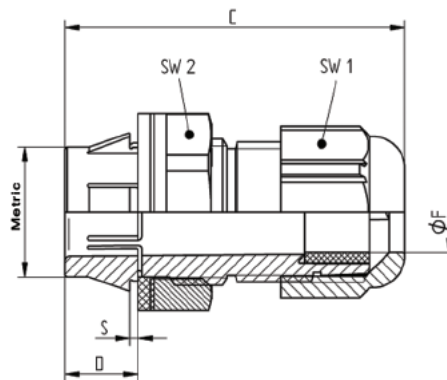
SKINTOP® CLICK is an innovative cable insertion system that provides fast, highly flexible assembly. Easy snap in place installation results in fixed, centered, strain relief with maximum protection in seconds.

Recommended Applications:

Applications where locknut installation is difficult to reach or secure, such as dual wall enclosures and temperature controlled assemblies where insulation is used.

Application Advantage:

- Up to 70% installation time savings due to innovative CLICK system
- Ideal for hard to reach dual wall enclosures and limited access spaces
- Reduced inventory as no locknuts are required
- The heavy duty SKINTOP® design provides great pullout strength and very reliable strain relief
- Superior integrated locking mechanism includes an internal ratchet for vibration proof protection



* Includes 1 disassembly tool per pack

Technical Data:

Materials:
 Body: Special Polyamide
 Seal: Special Elastomer

Color: Black (RAL 9005), UV Resistant
 Gray (RAL 7001)

Temperature range: -20°C to +100°C

Protection: IP 68, 5 bar

SKINTOP® CLICK: Liquid Tight, Non-Metallic Strain Relief with Metric Threads

Part Number	Thread Type & Size	UL Status	Clamping Range of F inches	SW1/ SW2 Wrenching Flats inches	C Overall Length inches	D Thread Length inches	M Hole inches	S Wall Thickness inches	Standard Pack Size
53112923	M-12	R	.138 - .276	0.591/ 0.709	1.575	0.315	0.484 (-.008)	.039 - .157	50
53112882	M-16	R	.197 - .354	0.748/ 0.866	1.654	0.315	0.642 (-.008)	.039 - .157	50
53112883	M-20	L	.276 - .512	0.984/ 1.063	1.791	0.315	0.799 (-.008)	.039 - .157	25
53112884	M-25	L	.354 - .669	1.181/ 1.339	1.909	0.315	0.996 (-.008)	.039 - .157	25
53112924	M-32	L	.433 - .827	1.417/ 1.575	2.165	0.315	1.272 (-.008)	.039 - .157	25

SKINTOP® CLICK-R: Liquid Tight, Non-Metallic Strain Relief with Reducer Bushing & Metric Threads

Part Number	Thread Type & Size	UL Status	Clamping Range of F inches	SW1/ SW2 Wrenching Flats inches	C Overall Length inches	D Thread Length inches	M Hole inches	S Wall Thickness inches	Standard Pack Size
53112929	M-12	R	.039 - .197	0.591/ 0.709	1.575	0.315	0.484 (-.008)	.039 - .157	50
53112885	M-16	R	.157 - .276	0.748/ 0.866	1.654	0.315	0.642 (-.008)	.039 - .157	50
53112886	M-20	L	.197 - .394	0.984/ 1.063	1.791	0.315	0.799 (-.008)	.039 - .157	25
53112887	M-25	L	.236 - .512	1.181/ 1.339	1.909	0.315	0.996 (-.008)	.039 - .157	25
53112931	M-32	L	.276 - .591	1.417/ 1.575	2.165	0.315	1.272 (-.008)	.039 - .157	25

UL Status: R = Recognized; L = Listed