

SUMMARY



Image is for illustrative purpose only

Wires

Coax	1
Series	01
Termination type	Female solder
IP rating	50
AWG wire size	0.00 - 0.00
Cable Ø	0.00 - 0.00 mm
Status	active
Matching parts	FFS.01.250.DLAE31

Download

[Request a quote](#)

[Catalog](#)

TECHNICAL DETAILS

Mechanics

Shell Style/Model	ERA*: Fixed receptacle, nut fixing
Keying	Circular, female
Housing Material	Brass (gold plated) shell, collet nut, brass latch sleeve and mid pieces
Weight	1.24 g

Performance

Configuration	01.250 : 1 Coax (50 Ohm)
Insulator	
Rated Current	

Specifications

Contact Type: Solder

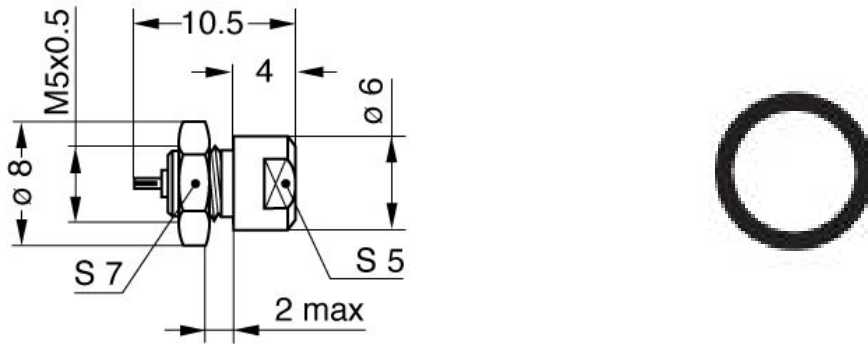
Others

Endurance (Shell): 1000 mating cycles

LEMO products and services are provided "as is". LEMO makes no warranties or representations with regard to LEMO product & services or use of them, express, implied or statutory, including for accuracy, completeness, or security. The user is fully responsible for his products and applications using LEMO components.

DRAWINGS

Draws



Dimensions

	A	B	E	L	M	S1	S2	e
mm.	6	8	2	10.5	4	5	7	M5x0.5
in.	0.24	0.31	0.08	0.41	0.16	0.20	0.28	

RECOMMENDED BY LEMO

Tools

Cables

CCN.50.051.1529NMC			
--------------------	--	--	--

LEMO products and services are provided "as is". LEMO makes no warranties or representations with regard to LEMO product & services or use of them, express, implied or statutory, including for accuracy, completeness, or security. The user is fully responsible for his products and applications using LEMO components.