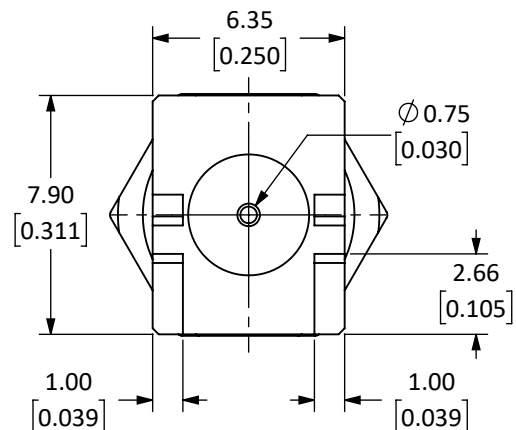
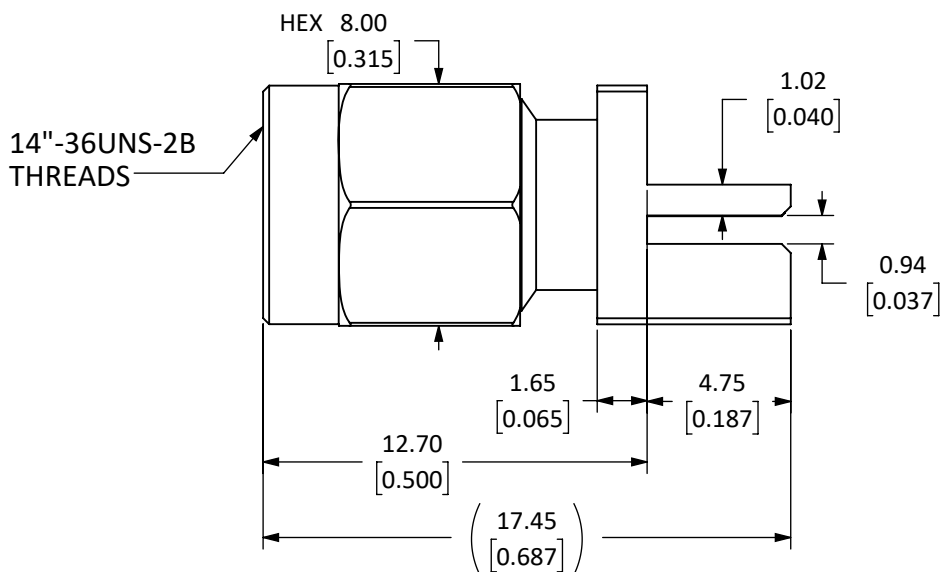


Connector: SMA Plug (Male Pin)			
Termination: PCB Board Edge, End Launch, Panel Mount			
Part Number		CON SMA013.031	CON SMA013.031-G
Connector Part	Material	Finish	Finish
Bodies	Body: Brass	Nickel	Gold
	Nut: Brass	Nickel	Gold
Center Contact	Pin: Brass	Gold	Gold
Insulator	PTFE	-	-
Gasket	Si Rubber	-	-

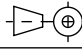
REVISIONS			
REV	DESCRIPTION	DATE	APPV
A	INITIAL RELEASE OF SOLID MODEL.	CLL	6-FEB-20



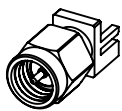
NOTES: (UNLESS OTHERWISE SPECIFIED)

1. ALL DIMENSIONS ARE IN MILLIMETERS [INCHES].
2. DIMENSIONS APPLY AFTER FINISHING.
3. MANUFACTURE TO BE COMPLIANT WITH EU RoHS DIRECTIVE, USE MATERIALS THAT DO NOT CONTAIN REACH SUBSTANCES OF VERY HIGH CONCERN >1000ppm, AND USE DRC CONFLICT-FREE SOURCED MATERIALS.
4. SAFETY BREAK ALL SHARP CORNERS AND EDGES 0.5 MAXIMUM.
5. SEE TABLE I FOR ELECTRICAL SPECIFICATIONS. (SHEET 2)
6. SEE TABLE II FOR ENVIRONMENTAL SPECIFICATIONS. (SHEET 2)
7. SEE TABLE III FOR MECHANICAL SPECIFICATIONS. (SHEET 2)
8. SEE PARTSLIST. "*" INDICATES FINISH TYPE.

WARNING: THIS DRAWING CONTAINS PROPRIETARY INFORMATION THAT IS THE SOLE PROPERTY OF LINX TECHNOLOGIES, AND SHALL BE TREATED AS SUCH. NO DISCLOSURE OR REPRODUCTION OF THIS DOCUMENT IS PERMITTED, IN WHOLE OR IN PART, WITHOUT THE EXPRESS WRITTEN PERMISSION OF LINX TECHNOLOGIES OR ITS DESIGNATED AGENTS.

MATERIAL:	TOLERANCES: 0.50 [.020]-5.00 [.200]= ±0.20 [.008] 5.00 [.200]-30.00 [1.200]= ±0.40 [.016] 30.0 [1.20]-120.0 [4.75]= ±0.60 [0.24] 120.0 [4.75]-315.0 [12.40]= ±1.0 [.040]	PROJECTION:  ANGLES: ±1°
FINISH:	DRAWN: M. SCHULTE	DT: 15-JAN-20
	ENGR: D. VARATHARAJAN	DT: 6-FEB-20

Linx		159 ORT LANE MERLIN, OR 97532	
TITLE: SMA MALE EDGE MOUNT FOR 0.031" BOARD			
SIZE	DWG. NO.	REV	
A	CON SMA013.031-*	A	
SCALE: 4:1	DO NOT SCALE DRAWING	SHEET 1 OF 2	



SCALE 1 : 1

5 TABLE I

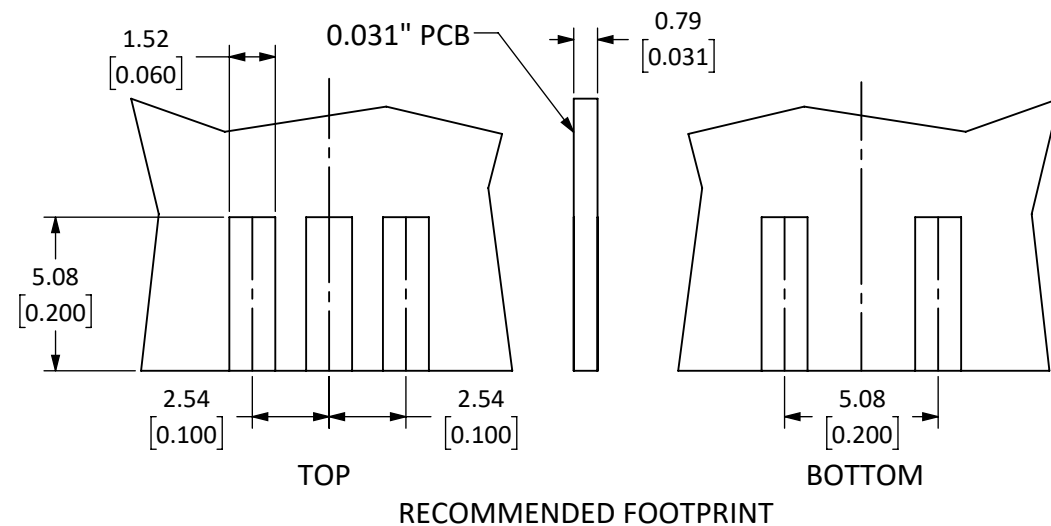
Electrical Data	Detail	
	CON SMA013.031	CON SMA013.031-G
Impedance	50 Ω	50 Ω
Frequency Range	0 to 18 GHz	0 to 18 GHz
Insulation Resistance	≥ 5000 M Ω	≥ 5000 M Ω
Voltage Rating	1000 V RMS	1000 V RMS
Contact Resistance	Center ≤ 3.0 m Ω Outer: ≤ 2.5 m Ω	Center ≤ 3.0 m Ω Outer: ≤ 2.5 m Ω
VSWR	≤ 1.2 @ 6 GHz	≤ 1.2 @ 6 GHz

6 TABLE II

Environmental Data	Detail
Corrosion (Salt Spray)	MIL-STD-202 METHOD 101 TEST CONDITION B
Thermal Shock	MIL-STD-202 METHOD 107 TEST CONDITION B
Vibration	MIL-STD-202 METHOD 204 TEST CONDITION D
Mechanical Shock	MIL-STD-202 METHOD 213 TEST CONDITION I
Temperature Range	-55 °C to +155 °C
Environmental Compliance	RoHS

7 TABLE III

Mechanical Data	Detail
Mounting Type	PCB Edge Mount
Fastening Type	1/4"-36UNS-2B Threaded Coupling
Recommended Torque	0.57 N.m (5 in.lbs)
Coupling Nut Retention	60 lbs min.
Connector Durability	500 cycles min.
Weight	3.4 g (0.12 oz)



SIZE	DWG. NO.	REV
A	CON SMA013.031-*	A
SCALE: 4:1	DO NOT SCALE DRAWING	SHEET 2 OF 2