

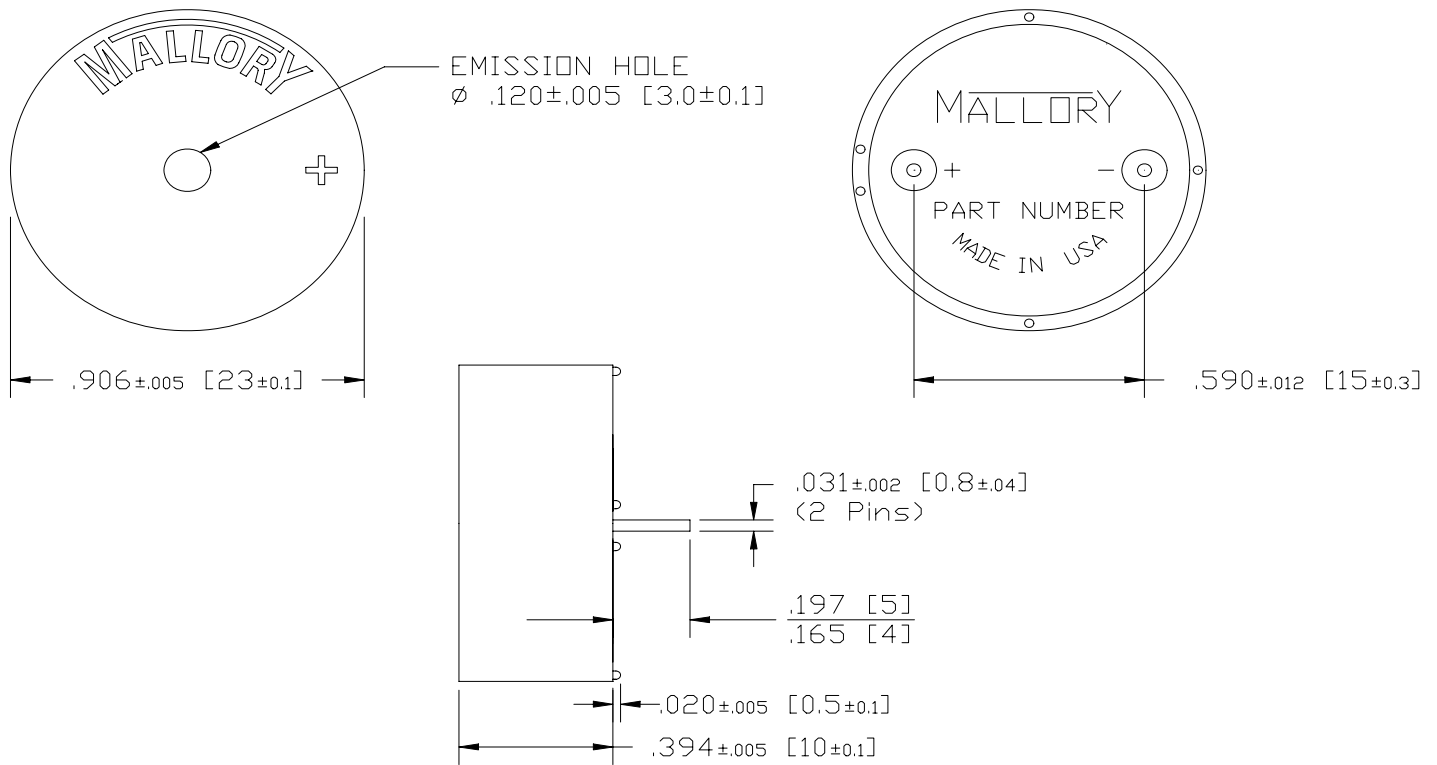
Sales Outline Drawing

Specifications:

Sound Level Category	Medium
Mode of Operation	Continuous
Voltage Rating	3 to 20 VDC
Frequency	3500 ± 500 Hz
Loudness @ 2 FT	71 to 86 Typ.
Current Draw	3-16 mA
Housing Material	Valox (UL94V-0), Color Blue
Storage Temperature	-40° to +85° C
Operating Temperature	-40° to +85° C
Weight (Typical)	3.5g
Options	Please contact factory.

Dimensions: Inches (mm)

ROHS Compliant



NOTE A:
TERMINALS - .031" DIA. NICKEL/TIN COATED BRASS.

NOTE B:
MOUNTING- INSERT INTO PRINTED CIRCUIT BOARD AND HAND OR MACHINE SOLDER. UNITS ARE SUITABLE FOR WAVE SOLDERING. RECOMMENDED MAXIMUM TEMPERATURE AND TIME DURATION FOR WAVE SOLDERING IS +270°C AND 3 SECONDS RESPECTIVELY.

