

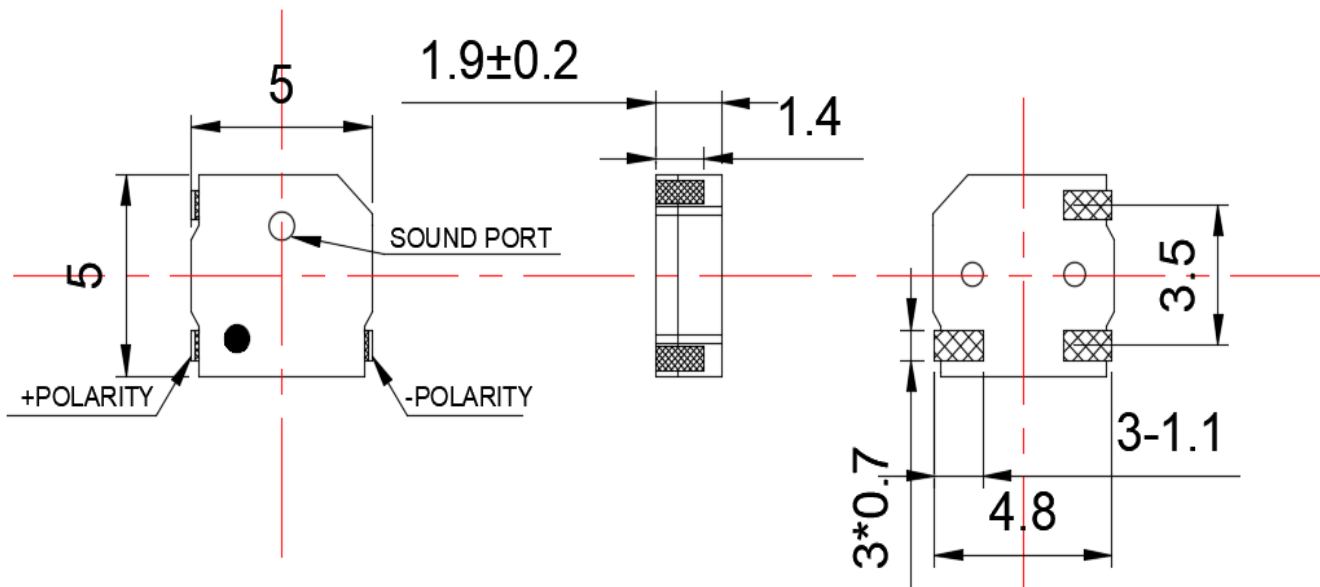
May not be suitable for all medical and aerospace applications.

Specifications: Contact Mallory Sonalert to discuss your application.

Oscillation Frequency (Hz)	4000
Operating Voltage (Vpp)	2 ~ 4
Rated Voltage (Vpp)	3.0
Current Consumption Max. (mA)	110 at Rated Voltage
Sound Pressure Level Min. (dB)	75 at 10cm at Rated Voltage
Coil Resistance (Ω)	12 ± 3
Operating Temperature ($^{\circ}\text{C}$)	-20 ~ +70
Storage Temperature ($^{\circ}\text{C}$)	-30 ~ +80
Housing	LCP Plastic Resin (Color: Black)
Type of Connection	SMT
Condition by wave soldering ($^{\circ}\text{C}$)	250 ± 5 / within 5 sec
Condition by hand soldering ($^{\circ}\text{C}$)	350 ± 20 / within 5 sec
Weight (Grams)	0.13
Options	For other options contact factory

Dimensions: (units: mm)

ROHS Compliant



Packaging: Parts are supplied on cut tape.