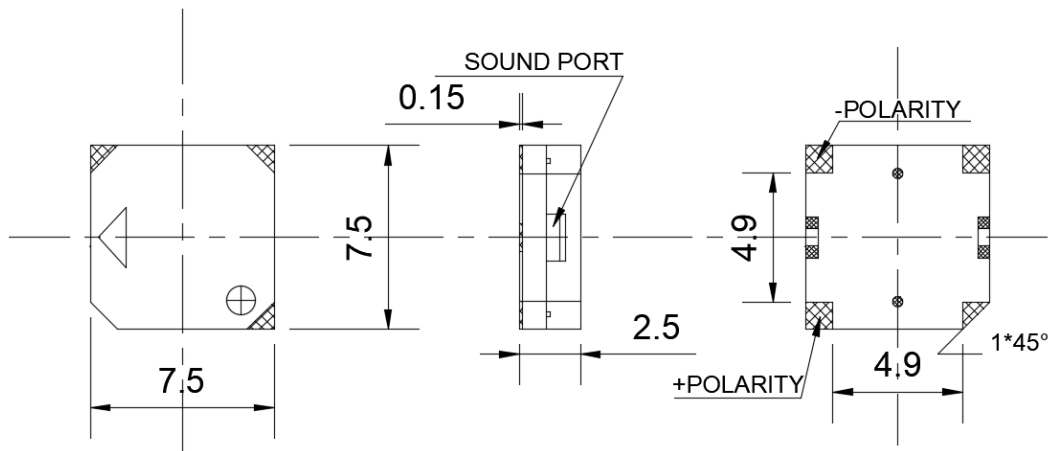


Sales Outline DrawingRevision **B****May not be suitable for all medical and aerospace applications.****Specifications: Contact Mallory Sonalert to discuss your application.**

Oscillation Frequency (Hz)	2700 ± 500
Operating Voltage (Vp-p)	2.5 ~ 4.5
Rated Voltage (Vp-p)	3.6
Current Consumption Max. (mA)	100 at Rated Voltage
Sound Pressure Level (dB/min)	85 at 10cm at Rated Voltage
Coil Resistance (Ω)	16 ± 3
Operating Temperature (°C)	-40 ~ +85
Storage Temperature (°C)	-50 ~ +95
Type of Connection Terminal	SMD
Housing	LCP plastic resin (Color : Black)
Weight (Grams)	0.8
Condition by reflow soldering (°C)	250 ± 5 / within 10 sec
Condition by hand soldering (°C)	350 ± 20 / within 5 sec
Options	For other options contact factory

Dimensions: (units: mm)**RoHS Compliant****Packaging:**

Parts are supplied on tape and reel; 1000 pieces per reel.

