

**Sales Outline Drawing**

Revision **B**

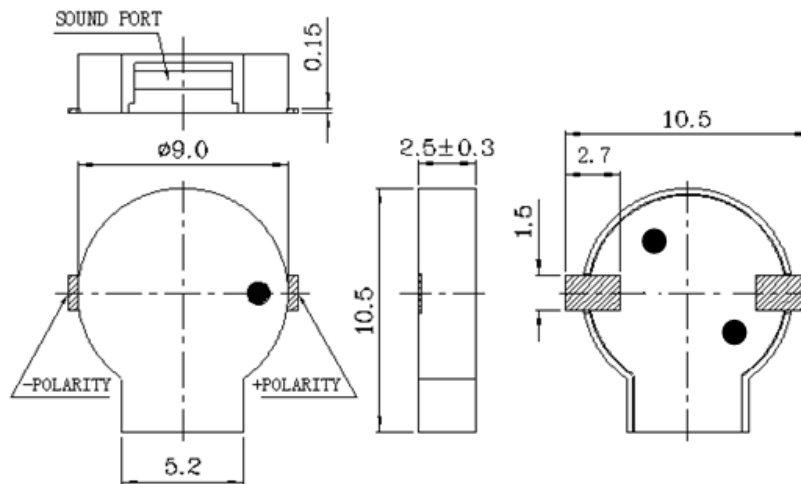
**May not be suitable for all medical and aerospace applications.**

**Specifications: Contact Mallory Sonalert to discuss your application.**

Oscillation Frequency (Hz)	2731
Operating Voltage (Vp-p)	2 ~ 5
Rated Voltage (Vp-p)	3
Current Consumption Max. (mA)	90 at Rated Voltage
Sound Pressure Level (dB/min)	90 at 10cm at Rated Voltage
Coil Resistance (Ω)	16 ± 3
Operating Temperature (°C)	-30 ~ +70
Storage Temperature (°C)	-40 ~ +85
Type of Connection Terminal	SMD
Housing	LCP plastic resin (Color : Black)
Weight (Grams)	0.8
Condition by reflow soldering (°C)	250 ± 5 / within 10 sec
Condition by hand soldering (°C)	350 ± 20 / within 5 sec
Options	For other options contact factory

**Dimensions:** (units: mm)

**RoHS Compliant**



**Packaging:** Parts are supplied on tape and reel.

