

May not be suitable for all medical and aerospace applications.

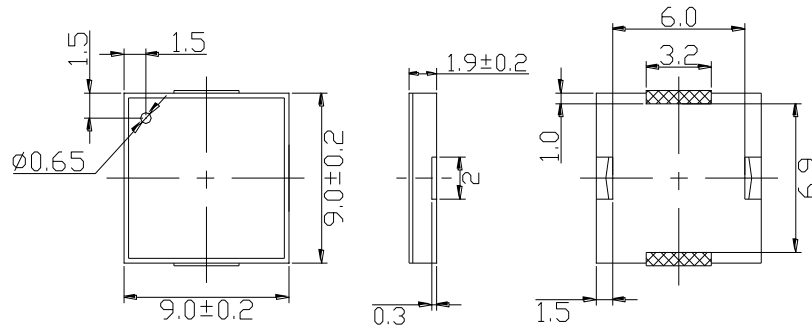
Specifications: Contact Mallory Sonalert to discuss your application.

Resonant Frequency (Hz)	4000
Operating Voltage (Vpp)	1 ~ 25
Rated Voltage (Vpp)	3.0
Current Consumption Max. (mA)	5 at 12 Vpp
Sound Pressure Level Min. (dB)	78 at 10cm at 12Vpp
Capacitance (pF)	12,000 ±30%
Operating Temperature (°C)	-40 ~ +85
Storage Temperature (°C)	-40 ~ +85
Housing	LCP Plastic Resin (Color: Black)
Type of Connection	SMD
Condition by wave soldering (°C)	260 ±5 / within 5 sec
Condition by hand soldering (°C)	350 ±20 / within 5 sec
Weight (Grams)	0.2
Options	For other options contact factory

Dimensions: (units: mm)

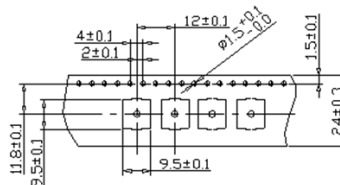
ROHS Compliant

NO CIRCUITRY



Units do not come with wash label and are not appropriate for aqueous wash.

Packaging: Parts are supplied on tape-and-reel, 1000 pcs/reel.



1000 PCS/SP00L

