

## Data sheet

### Connection line M12-jack - RJ45-plug 8-pole X-coded 1.0 m

Page 1/5

P/N

142M2X25010

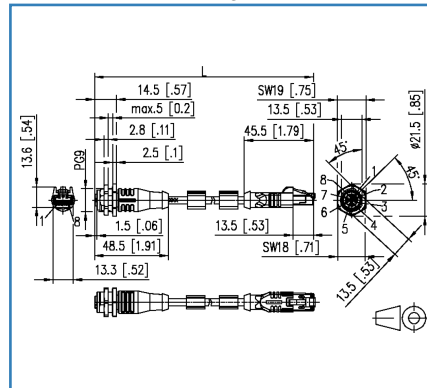
EAN 4251122182952

2017-05-01

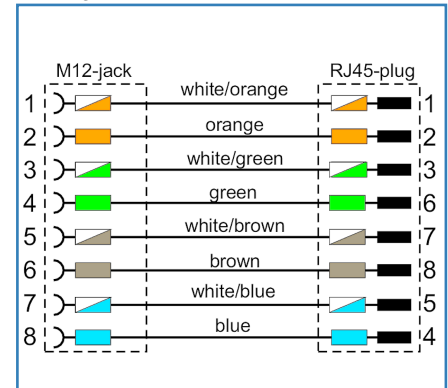
## Illustrations



Dimensional drawing



Wiring



See enlarged drawings at the end of document

## Product specification

- shielded M12-jack to RJ45-plug connection line
- Cat.6, 8-pole
- M12-jack X-coded to RJ45-connector
- connectors over molded
- stranded wires 4x2xAWG26/7 PiMF
- overall shield tinned copper braid
- pin assignment per T568B
- green cable, PUR
- standard variants: 1.0 m, 2.0 m, 5.0 m, 10.0 m
- other cable lengths on request

## Connection line M12-jack - RJ45-plug 8-pole X-coded 1.0 m

P/N

142M2X25010

EAN 4251122182952

2017-05-01

### Technical Data

#### General Data

Fields of application	Industrial Ethernet
Design	Ethernet-Connection line
Shielding	shielded
Transmission technology	Copper
Cable Type	S/FTP
Number of twisting elements	4
Twisting element	Pair
Wiring	T568B
Color	green
Dimensions	
Dimension - Interface 1 (L x W x H)	45.50 x 13.30 x 13.60 mm
Dimension - Interface 1 (L x W x H)	1.791 x 0.524 x 0.535 in.
Dimension - Interface 2 (L x W x H)	48.50 x 19.05 x 21.50 mm
Dimension - Interface 2 (L x W x H)	1.909 x 0.75 x 0.846 in.
Cable length (m)	1.00 m
Cable length (ft)	3.28 ft
Labeling option	identification label carrier

#### Transmission characteristics

Category (ISO)	6
Transmission rate up to 1 GBit (Fast Ethernet)	IEEE 802.3ab

#### Connections/interfaces

Connector technology interface 1	RJ45 plug
Connector technology interface 2	M12-jack
Coding interface 2	X-coded
Number of positions/contacts interface 1	8P/8C
Number of positions/contacts interface 2	8
Termination data, stranded wire (min. - max.)	
Conductor cross section, stranded wire	AWG 26/7
Conductor cross section, stranded wire	0.141 mm <sup>2</sup>
Conductor diameter, stranded wire (bare copper)	0.483 mm
Conductor diameter, stranded wire (bare copper)	0.019 in.



## Data sheet

Page 3/5

# Connection line M12-jack - RJ45-plug 8-pole X-coded 1.0 m

P/N

142M2X25010

EAN 4251122182952

2017-05-01

## Technical Data

### Electrical characteristics

Through resistance	max. 5 mOhm
Insulation resistance	min. 10 <sup>8</sup> MOhm

### Materials and material properties

Material - Conductor	Cu (copper)
Material - Cable jacket	PUR
Material - Plug housing interface 1	PVC (polyvinyl chloride)
Material - Body interface 2	Plastics
Material - Contact interface 1	CuSn (tin bronze)
Material - Contact interface 2	CuZn (brass)
Material - Contact finish interface 2	Au (gold)
Material - Contact carriers interface 2	Plastics
Material - Union nut interface 2	CuZn (brass)
Material - Union nut finish interface 2	Ni (nickel)
Material - Shield interface 1	CuSn (tin bronze)
Material - Main shield	Cu (copper) braid
Material - Main shield finish	Sn (tin)
Flame retardancy	yes

### Environmental conditions

Temperature (min. - max.)	
Temperature - Storage °C	-20 - 75 °C
Temperature - Storage °F	-4 - 167 °F
Temperature - Operating °C	-20 - 75 °C
Temperature - Operating °F	-4 - 167 °F
Temperature - Installation °C	-20 - 60 °C
Temperature - Installation °F	-4 - 140 °F
Particulate ingress interface 1	IP2X
Liquid ingress/immersion interface 1	IPX0
Particulate ingress interface 2	IP6X when plugged in
Liquid ingress/immersion interface 2	IPX7 when plugged in
Pollution degree interface 1	1
Pollution degree interface 2	3



Data sheet

Page 4/5

## Connection line M12-jack - RJ45-plug 8-pole X-coded 1.0 m

P/N

142M2X25010

EAN 4251122182952

2017-05-01

### Technical Data

#### Approvals

RoHS compliant

#### The product meets the following standards

Generic cabling systems

General requirements ISO/IEC 11801-1 | DIN EN 50173-1

Multi-element metallic cables used in analogue and digital communication and control DIN EN 50288-4-1

Test for vertical flame propagation for a single insulated wire or cable DIN EN 60332-1-2

Measurement of smoke density of cables burning DIN EN 61034

#### Classifications

ETIM 6.0 EC002599

#### Packing details

Type of packaging 1 pc(s) / plastic bag



# P | Cabling

Data sheet

Page 5/5

## Connection line M12-jack - RJ45-plug 8-pole X-coded 1.0 m

P/N

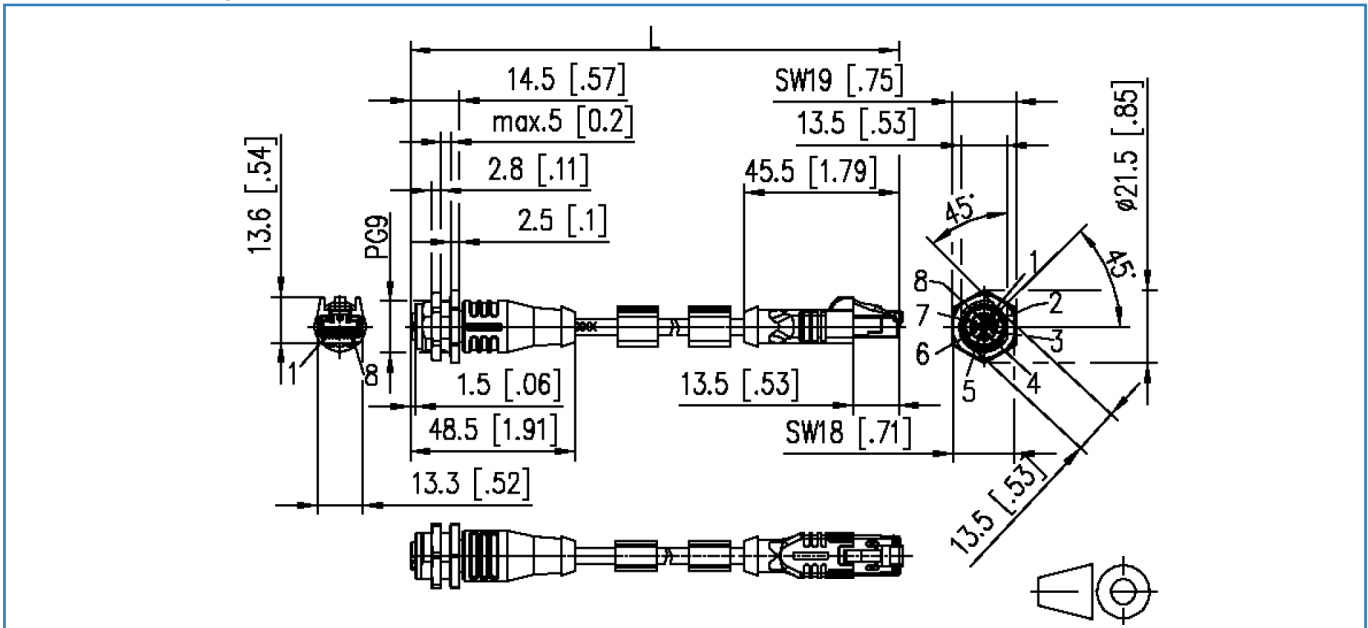
142M2X25010

EAN 4251122182952

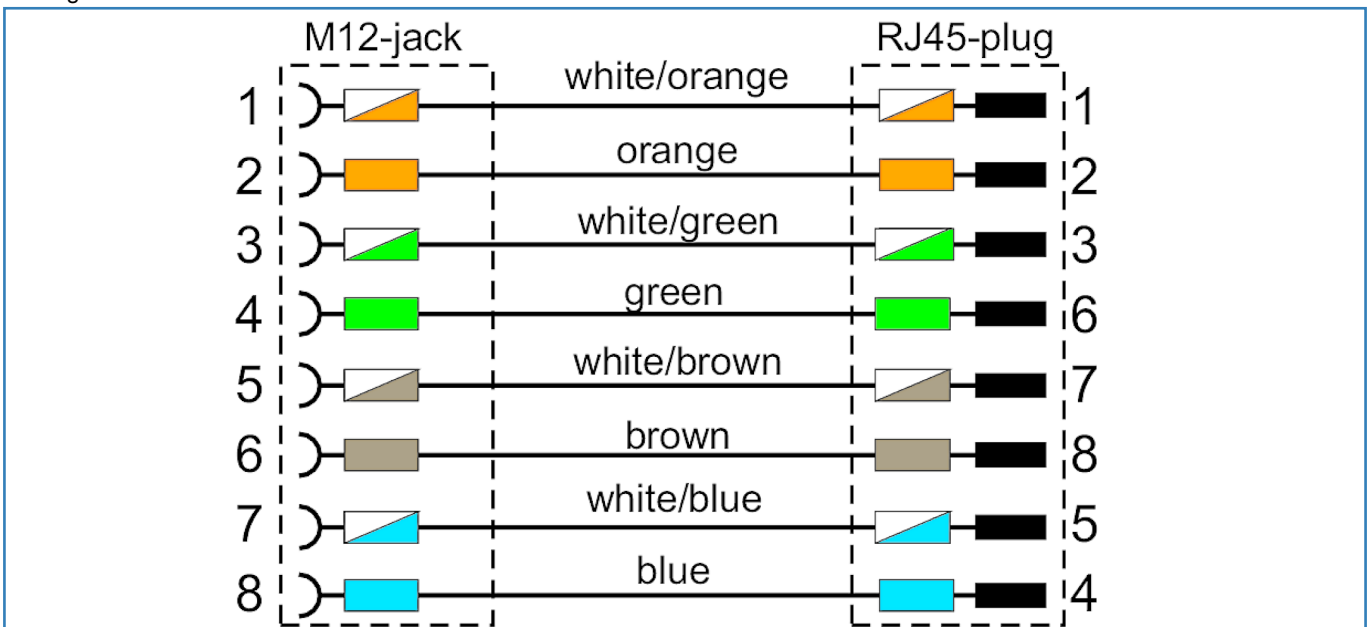
2017-05-01

### Illustrations

Dimensional drawing



Wiring



© 2016 METZ CONNECT - Technische Änderungen vorbehalten! Subject to modifications! Sous réserve de modifications techniques!