

Data Sheet

RT015xxVDWC

(Type 063)

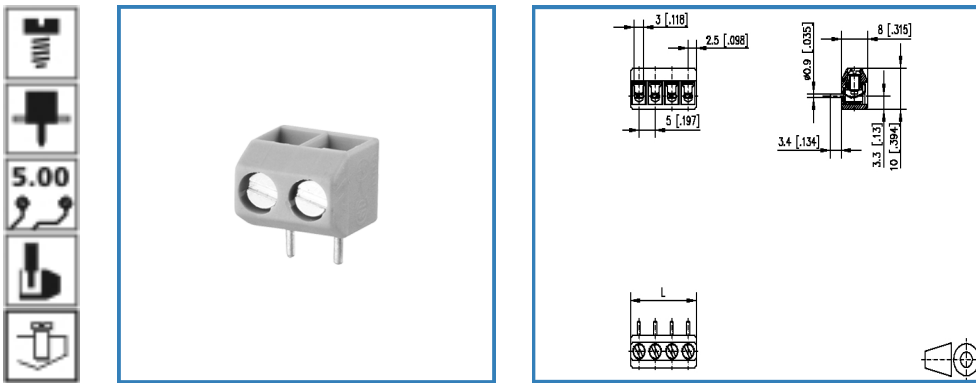
Page 1/4

Order Number

310631xx

xx=number of poles

Illustration



see enlarged drawing at the end of the document

Product specification

- screw type terminal block, solderable
- centerline 5.00 mm, direction of connection vertical (0°)
- wire protector, fittable without loss of poles
- color gray

Data Sheet

RT015xxVDWC

(Type 063)

Page 2/4

Order Number

310631xx

xx=number of poles

Technical Data

General Data

Tightening torque	0.5 Nm 7 lb-in		
Solder pin length	3.4 mm		
min. number of positions	2		
max. number of positions	22		
Insulating material class	CTI 600		
clearance/creepage dist.	2.6 mm		
protection category	IP 00		
Overvoltage category	III	III	II
Pollution degree	3	2	2
Rated voltage	200 V	500 V	500 V
Stossspannung	2.5 kV	4 kV	2.5 kV

Connection data

rat. wiring solid AWG/mm ² min-max	AWG 22/0.33 mm ² - AWG 14/2.0 mm ²
rat. wiring strand AWG/mm ² min-max	AWG 22/0.33 mm ² - AWG 14/2.0 mm ²
extended wiring UL	Wire range extended to No. 30 AWG for factory-wiring. Two same size wires No. 22-18 AWG Cu Sol/Str for field-wiring; No. 30-18 Cu Sol/Str factory-wiring.

Data Sheet

RT015xxVDWC

(Type 063)

Page 3/4

Order Number

310631xx

xx=number of poles

Material

insulating material	PA66
flammability class	V0
terminal body material	CuZn
terminal body surface	Ni + Sn
screw surface	Cu + Ni
wire protector material	wire protector
wire protector surface	Sn
screw thread	M3

Climatic properties

upper limit temperature	105 °C
lower limit temperature	-40 °C

General

solderability	THR acc. to IPC/JEDEC J-STD-020D-MSL 1 THT max. 260°C / 10sec.
tolerance	ISO 2768 -mH

Data Sheet

RT015xxVDWC

(Type 063)

Page 4/4

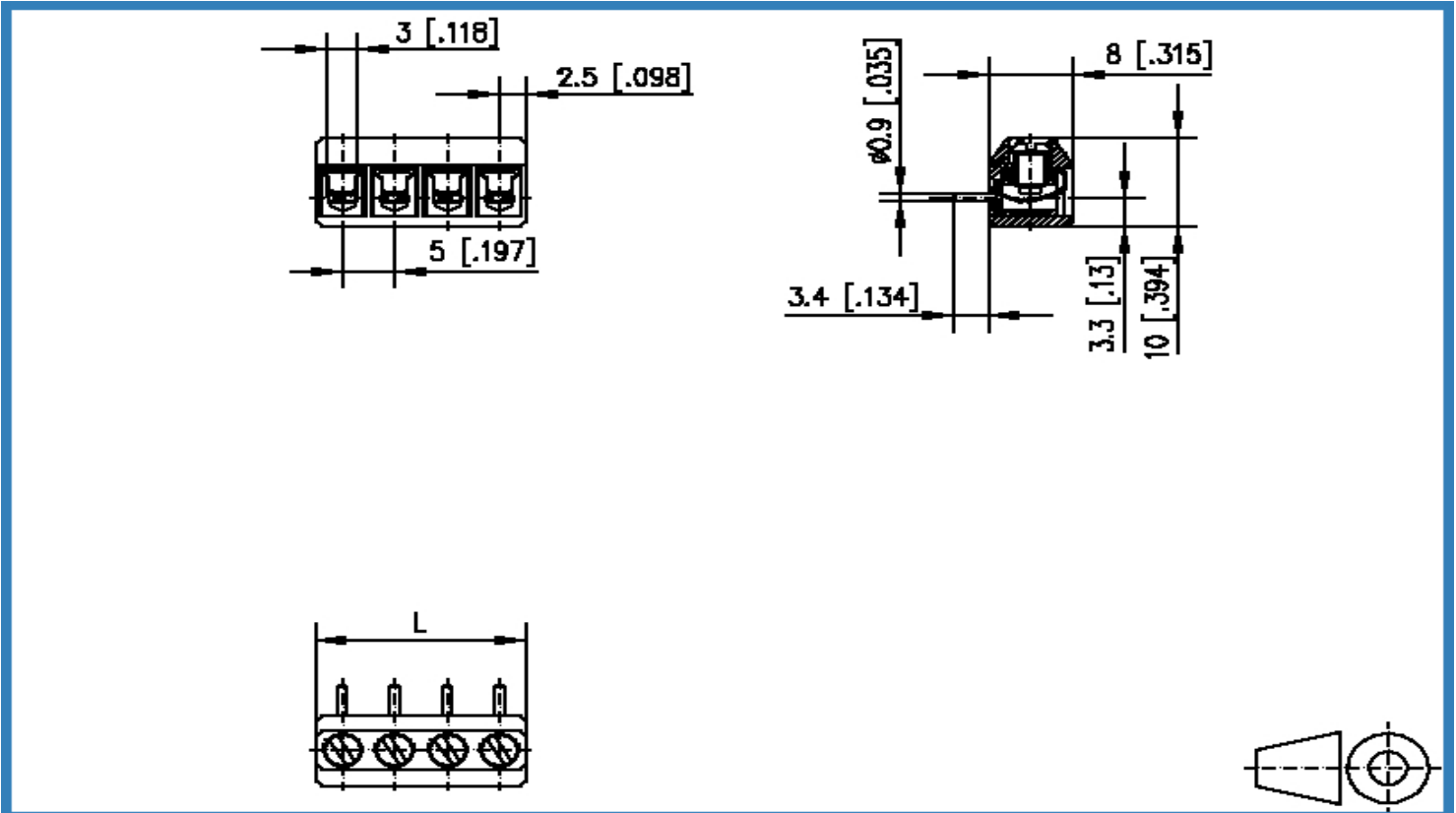
Order Number

310631xx

xx=number of poles

Illustration

Drawing



$L = (\text{pole size} - 1) \times \text{centerline} + 5$ [0.197]