

# Data Sheet

## PT116xxHBBN

(Type 230)

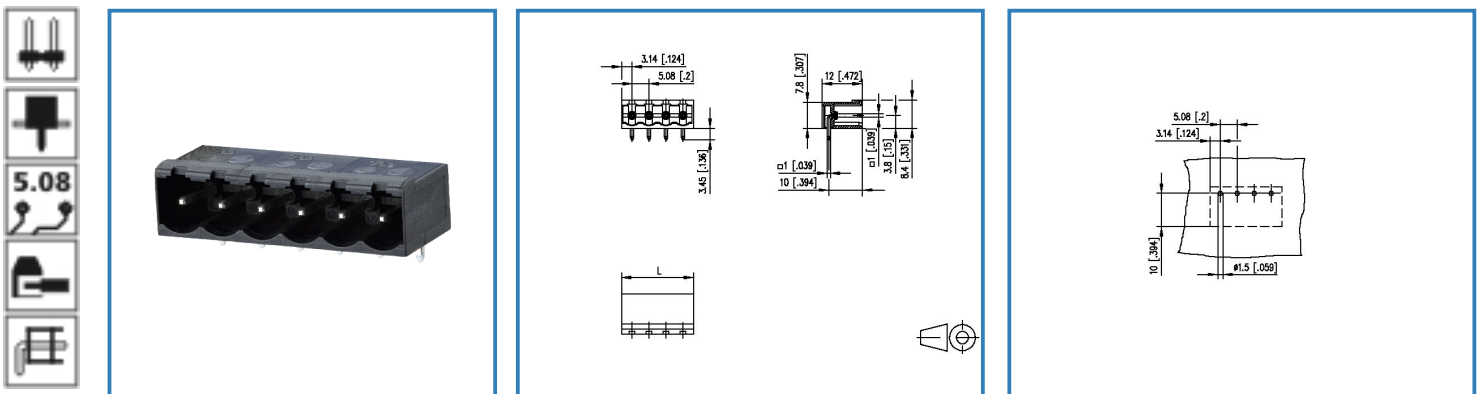
Page 1/5

Order Number

312301xx

xx=number of poles

### Illustration



see enlarged drawing at the end of the document

### Product specification

- pin header, solderable
- centerline 5.08 mm, direction of connection 90°
- closed ends
- color black
- codeable
- Connection data

**CRIUS** V / A 300 / 15

**SEV** 320 V / 4 kV / 13.5 A

# Data Sheet

## PT116xxHBBN

(Type 230)

Page 2/5

Order Number

312301xx



xx=number of poles

### Technical Data

#### General Data

Solder pin length	3.45 mm		
min. number of positions	2		
max. number of positions	24		
Insulating material class	CTI 600		
clearance/creepage dist.	4.08 mm		
protection category	IP 00		
Overvoltage category	III	III	II
Pollution degree	3	2	2
Rated voltage	320 V	800 V	800 V
Stossspannung	4 kV	6 kV	4 kV

#### Connection data

 V / A	300 / 15		
	320 V / 4 kV / 13.5 A		

#### Material

insulating material	PA66
flammability class	V0
contact pin material	CuFe

# Data Sheet

## PT116xxHBBN

(Type 230)

Page 3/5

Order Number

312301xx

xx=number of poles

contact pin surface	Ni + Ag
---------------------	---------

### Climatic properties

upper limit temperature	105 °C
-------------------------	--------

lower limit temperature	-40 °C
-------------------------	--------

### General

solderability	For THR products acc. to IPC/JEDEC J-STD-020D-MSL 1   For THT products max. 260°C / 10sec.
---------------	--

tolerance	ISO 2768 -mH
-----------	--------------

### Matching Part to

312131	Type 213
--------	----------

312141	Type 214
--------	----------

312491	Type 249
--------	----------

312501	Type 250
--------	----------

ASP046	ASP046
--------	--------

### Accessories

700024-01-9	Kodierstern weiß
-------------	------------------

700523-0157 (on request)	
--------------------------	--

700523-0257 (on request)	
--------------------------	--

# Data Sheet

## PT116xxHBBN

(Type 230)

Page 4/5

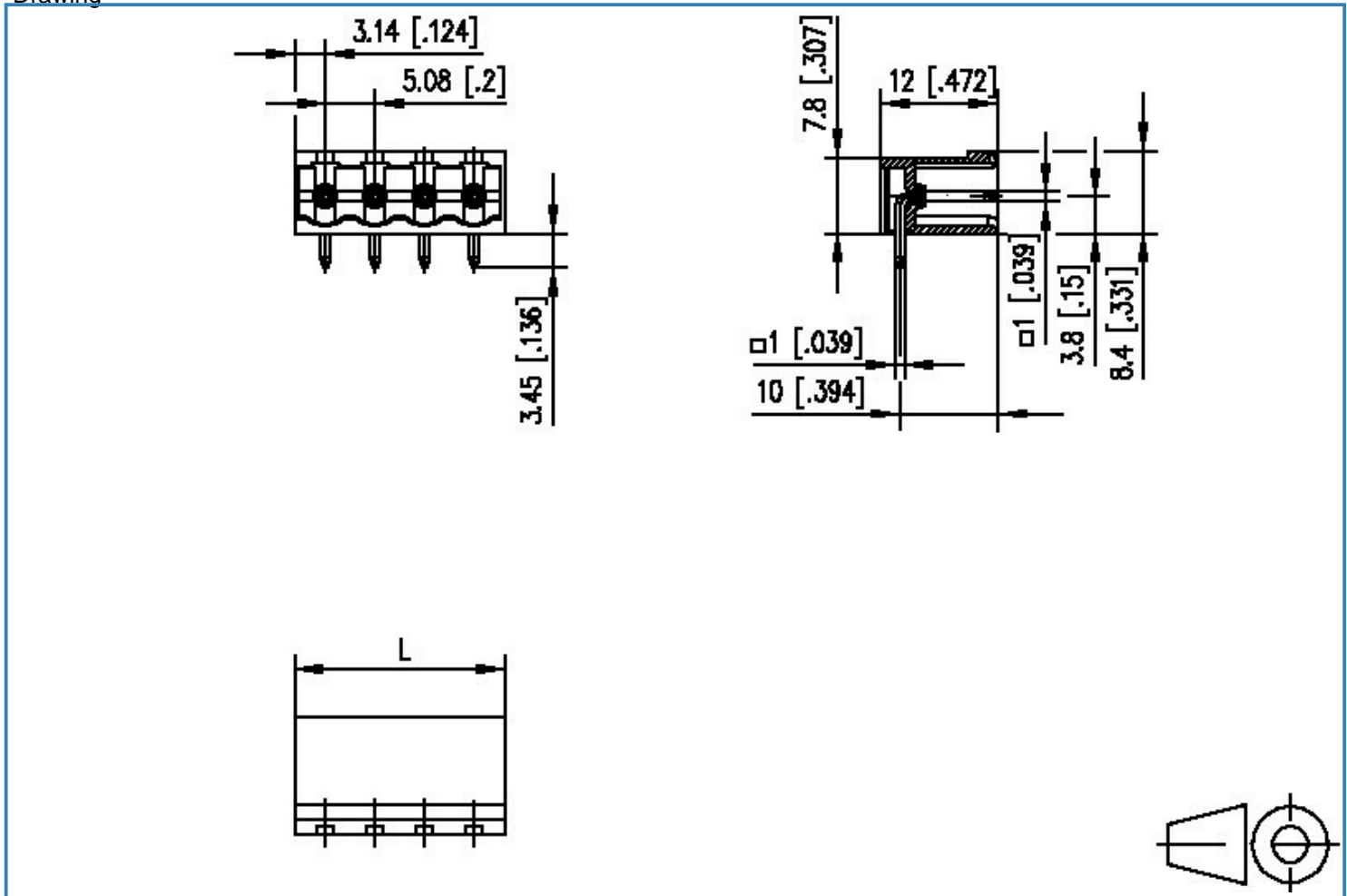
Order Number

312301xx

xx=number of poles

### Illustration

Drawing



$$L = (\text{pole size} - 1) \times \text{centerline} + 6.28 [0,200]$$

# Data Sheet

## PT116xxHBBN

(Type 230)

Page 5/5

Order Number

312301xx

xx=number of poles

### PCB Layout

