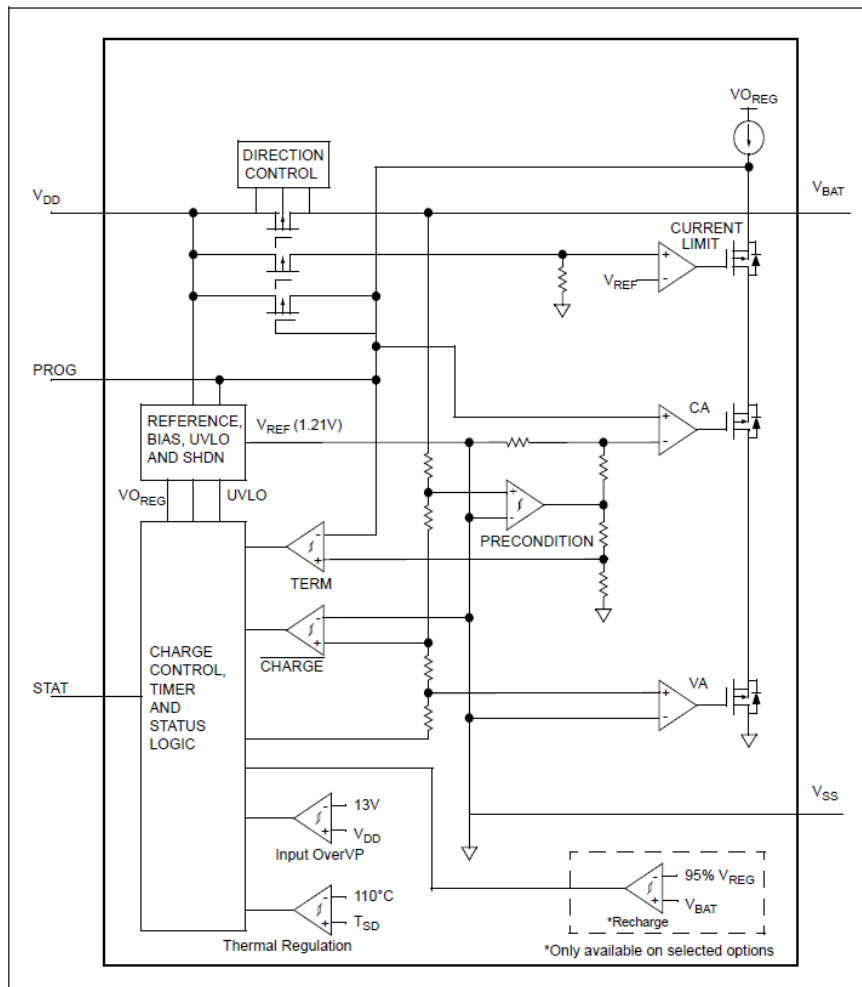
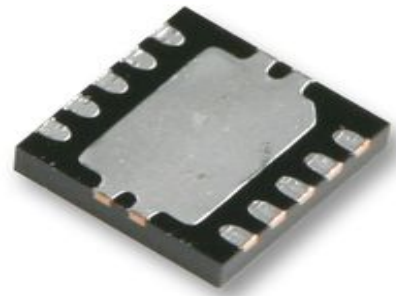




MCP73213 Dual-Cell Li-Ion Li-Polymer Battery Charge Management Controller

General Description:

The MCP73213 is a dual cell, highly integrated Li-Ion battery charge management controller for use in space-limited and cost-sensitive applications. The MCP73213 can accept an absolute maximum of 18V input and provides a 13V overvoltage protection. The output current can be programmed to be between 130 mA and 1100 mA. The MCP73213 is specified over the ambient temperature range of -40°C to +85°C and is available in a 10 lead, 3x3 mm DFN package.



Key Features:

- Complete Linear Charge Management Controller:
 - Integrated Input Overvoltage Protection
 - Integrated Pass Transistor
 - Integrated Current Sense
 - Integrated Reverse Discharge Protection
- Constant Current / Constant Voltage Operation with Thermal Regulation
- 4.15V Undervoltage Lockout (UVLO)
- 13V Input Overvoltage Protection
- High Accuracy Preset Voltage Regulation Through Full Temperature Range (-5°C to +55°C):
 - + 0.6%
- Battery Charge Voltage Options:
 - 8.20V, 8.40V, 8.7V or 8.8V
- Resistor Programmable Fast Charge Current:
 - 130 mA - 1100 mA
- Preconditioning of Deeply Depleted Cells:
 - Available Options: 10% or Disable
- Integrated Precondition Timer:
 - 32 Minutes or Disable
- Automatic End-of-Charge Control:
 - Selectable Minimum Current Ratio:
5%, 7.5%, 10% or 20%
 - Elapse Safety Timer: 4 HR, 6 HR, 8 HR or Disable
- Automatic Recharge:
 - Available Options: 95% or Disable
- Factory Preset Charge Status Output:
 - On/Off or Flashing
- Soft Start
- Temperature Range: -40°C to +85°C
- Packaging: DFN-10 (3 mm x 3 mm)

Application:

- Digital Camcorders
- Portable Media Players
- Ultra Mobile Personal Computers
- Notebook Computers
- Handheld Devices
- Walkie-Talkie

- Low-Cost 2-Cell Li-Ion/Li-Poly Chargers / Cradles

Related Products Information:

Mfr Part #	Farnell #	Newark #	Description
MCP73213-A6SI/MF	1800230	14R8878	Dual Cell Li-Ion/ Li-Polymer Battery Device - DFN
MCP73213-B6SI/MF	1800232	14R8879	Dual Cell Li-Ion/ Li-Polymer Battery Device - DFN

