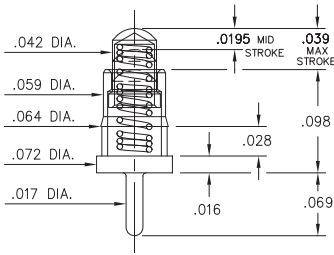


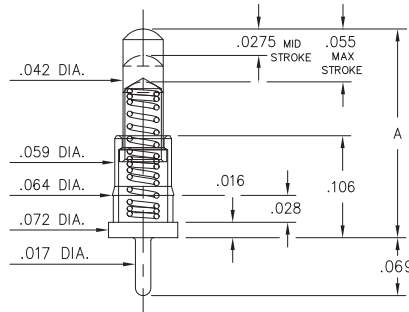
**0906-0**



**0906-0-15-20-76-14-11-0**  
Short Stroke

Solder mount in .018 min. mounting hole

**0906-1⇒4**

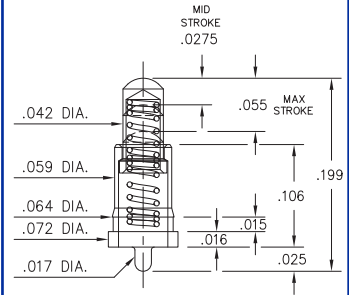


**0906-X-15-20-75-14-11-0**  
Standard Stroke

Solder mount in .018 min. mounting hole

Basic Part Number	Length A
0906-1	.177
0906-2	.197
0906-3	.217
0906-4	.236

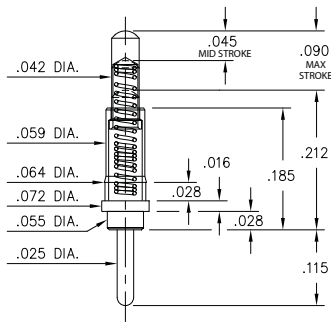
**0930**



**0930-0-15-20-75-14-11-0**  
Standard Stroke

Solder Mount in .018 min. mounting hole

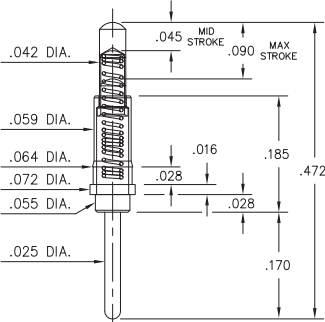
**0914**



**0914-0-15-20-77-14-11-0**  
Long Stroke

Solder mount in .027 min. mounting hole

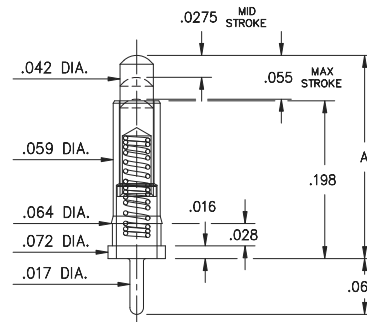
**0932**



**0932-0-15-20-77-14-11-0**  
Long Stroke

Solder Mount in .027 min. mounting hole

**0908-0⇒9**

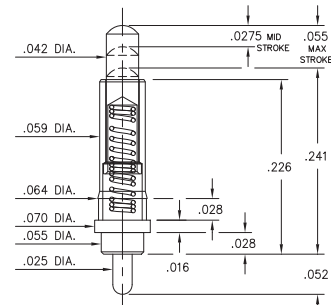


**0908-X-15-20-75-14-11-0**  
Standard Stroke

Solder mount in .018 min. mounting hole

Basic Part Number	Length A
0908-0	.255
0908-1	.275
0908-2	.295
0908-3	.315
0908-4	.335
0908-5	.350
0908-6	.370
0908-7	.390
0908-8	.410
0908-9	.430

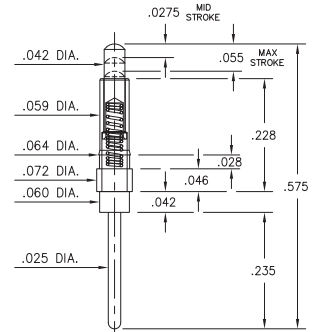
**0901**



**0901-0-15-20-75-14-11-0**  
"Legacy P/N 0901-0-00-00-00-11-0"  
Standard Stroke

Solder mount in .027 min. mounting hole

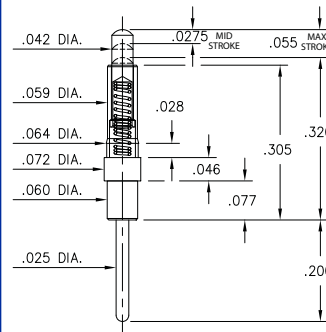
**0929**



**0929-0-15-20-75-14-11-0**  
Standard Stroke

Solder Mount in .027 min. mounting Hole

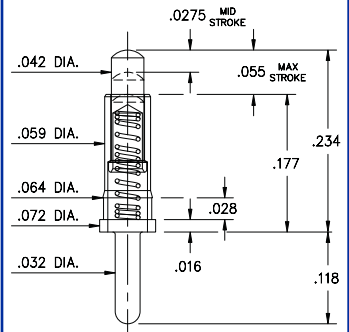
**0922**



**0922-0-15-20-75-14-11-0**  
Standard Stroke

Solder mount in .027 min. mounting hole

**0956**



**0956-0-15-20-75-14-11-0**  
Standard Stroke

Solder mount in .034 min. mounting hole

**ORDER CODE: 09XX - X - 15 - 20 - 7X - 14 - 11 - 0**

Spring Number

**MATERIAL SPECIFICATIONS:**

- SLEEVE & PLUNGER MATERIAL:** Copper Alloy
- SPRING MATERIAL:** Beryllium Copper
- SLEEVE & PLUNGER FINISH:** 20 μ" Gold over Nickel
- SPRING FINISH:** 10 μ" Gold over Nickel
- DIMENSION IN INCHES:**
- TOLERANCES ON:** LENGTHS: ±.006  
DIAMETERS: ±.002  
ANGLES: ± 2°



**MECHANICAL & ELECTRICAL SPECIFICATIONS:**

- DURABILITY:** 1,000,000 cycles
- CURRENT RATING:** 2A continuous, 3A peak
- CONTACT RESISTANCE:** 20 mΩ max.

SPRING NUMBER	Mid. STROKE	Max. STROKE	FORCE @ Mid. Stroke	Initial Force (Pre-load)
75	.0275	.055	60 g	25 g
76	.0195	.039	60 g	25 g
77	.045	.090	60 g	25 g

75, 76, 77 Springs are not Interchangeable