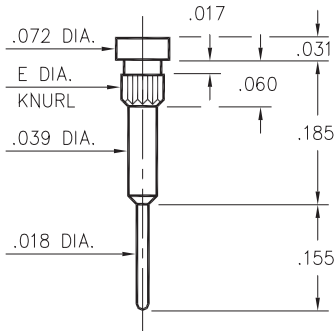


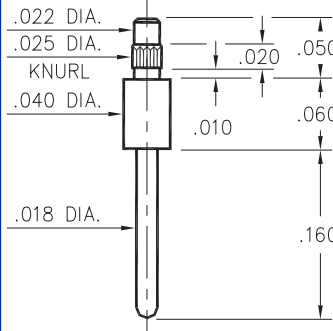
1067



| Basic Part Number | Knurl Dia. E | Mounting Hole |
|-------------------|--------------|---------------|
| 1067-1 | .058 | .055 |
| 1067-2 | .045 | .042 |

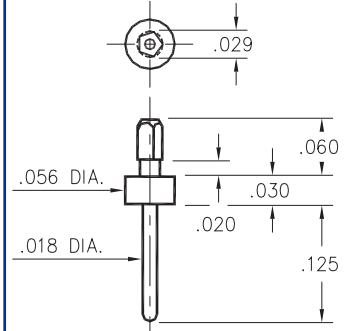
1067-X-00-XX-00-00-03-0
Press-fit in .042/.055 mounting hole

3158



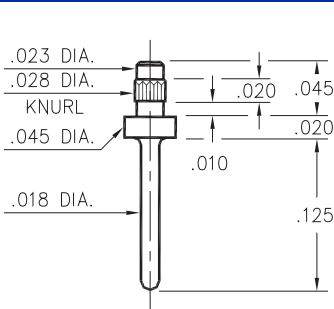
3158-0-00-XX-00-00-03-0
Press-fit in .023 mounting hole

9000



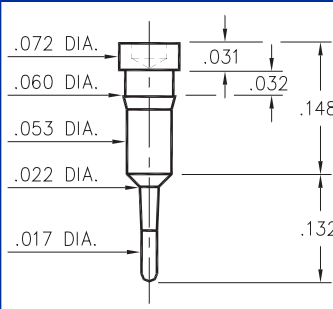
9000-0-00-XX-00-00-03-0
Pentagonal press-fit in .025 plated thru hole

3157



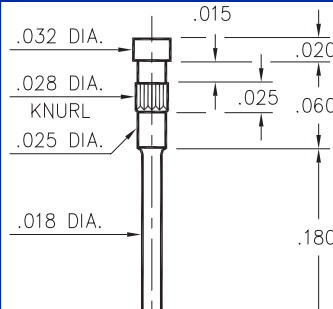
3157-0-00-XX-00-00-03-0
Press-fit in .026 mounting hole

0915



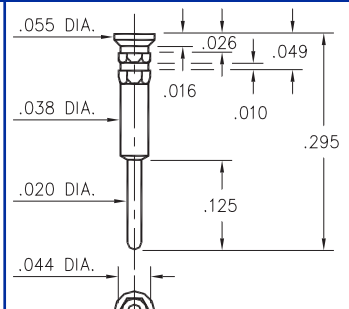
0915-0-00-XX-00-00-03-0
Press-fit in .057 mounting hole

3154



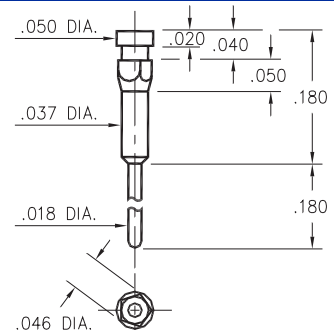
3154-0-00-XX-00-00-03-0
Press-fit in .026 mounting hole
Pin material is Ph Br 544 (B2)

0542



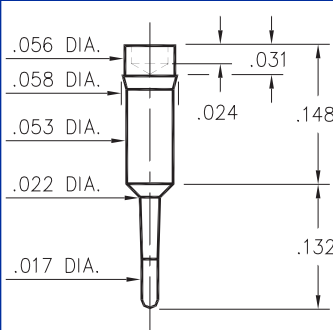
0542-0-00-XX-00-00-03-0
Hex press-fit in .039 plated thru hole

0522



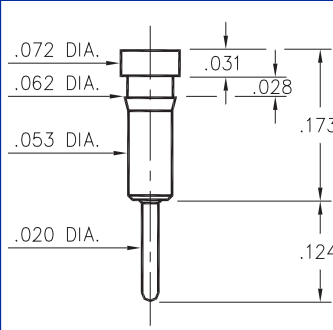
0522-0-00-XX-00-00-03-0
Pentagonal press-fit in .042 plated thru hole

0952



0952-0-00-XX-00-00-03-0
Press-fit in .056 mounting hole

0257



0257-0-00-XX-00-00-03-0
Press-fit in .059 mounting hole

SPECIFICATIONS

PIN MATERIAL:
Brass Alloy 360, 1/2 Hard
(Except where noted)

DIMENSION IN INCHES
TOLERANCES ON:
LENGTHS: ±.005
DIAMETERS: ±.002
ANGLES: ± 2°

ORDER CODE: XXXX - X - 00 - XX - 00 - 00 - 03 - 0

BASIC PART #

SPECIFY PIN FINISH:
01 200µ" TIN/LEAD OVER NICKEL
80 200µ" TIN OVER NICKEL
15 10µ" GOLD OVER NICKEL
21 20µ" GOLD OVER NICKEL
34 50µ" GOLD OVER NICKEL

