

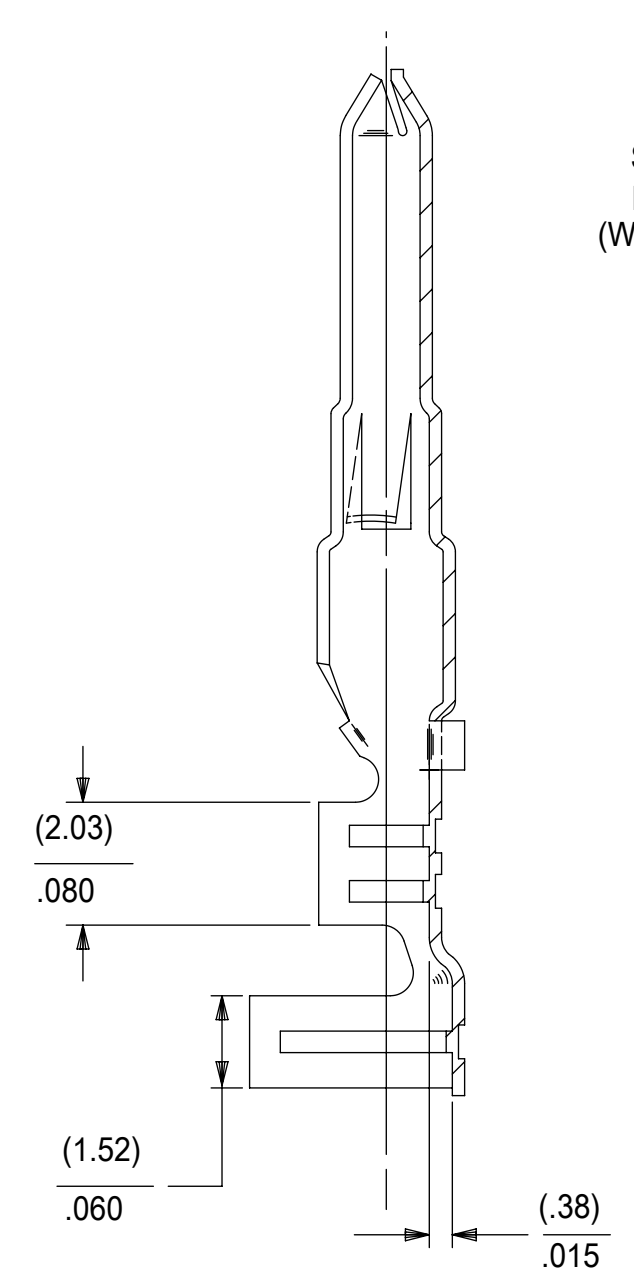
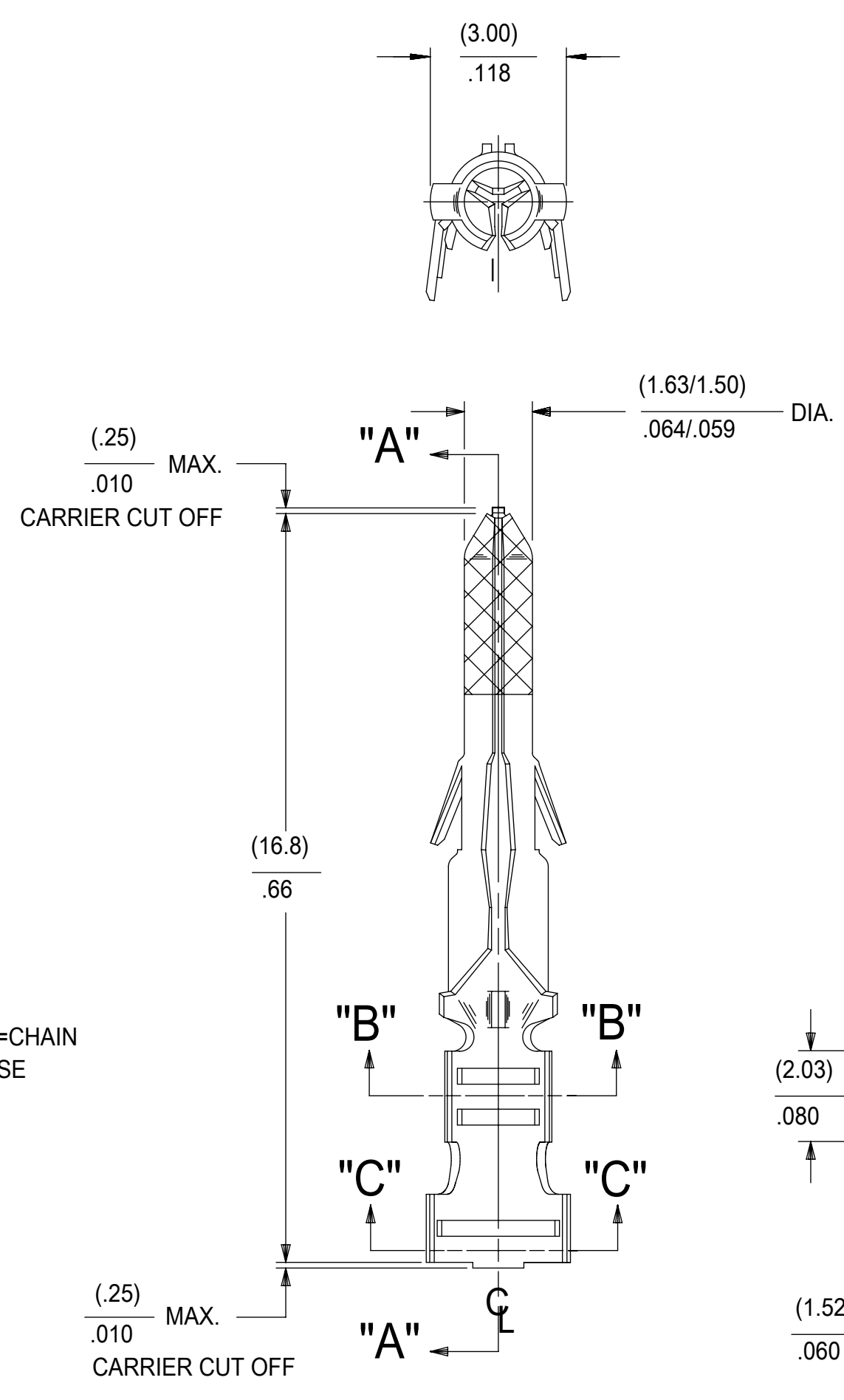
PART NO.	ENG. NO.
02-06-2101	1560-(P901)
02-06-2103	1560-(P901)L
02-06-6101	1560-(561)
02-06-6102	1560-(561)L
02-06-6118	1560-(228)
02-06-6119	1560-(228)L
02-06-6116	1560-(231)
02-06-6112	1560-(231)L
02-06-6100	1560-(550)
02-06-6103	1560-(550)L
02-06-6105	1560-(591)
02-06-6104	1560-(591)L

LEGEND

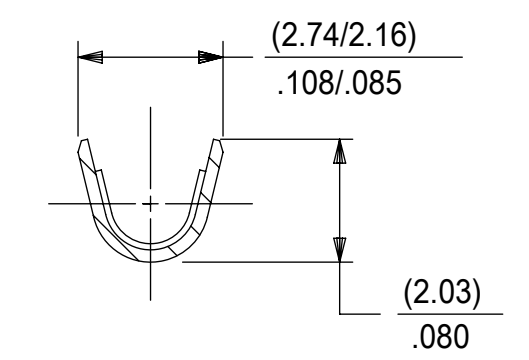
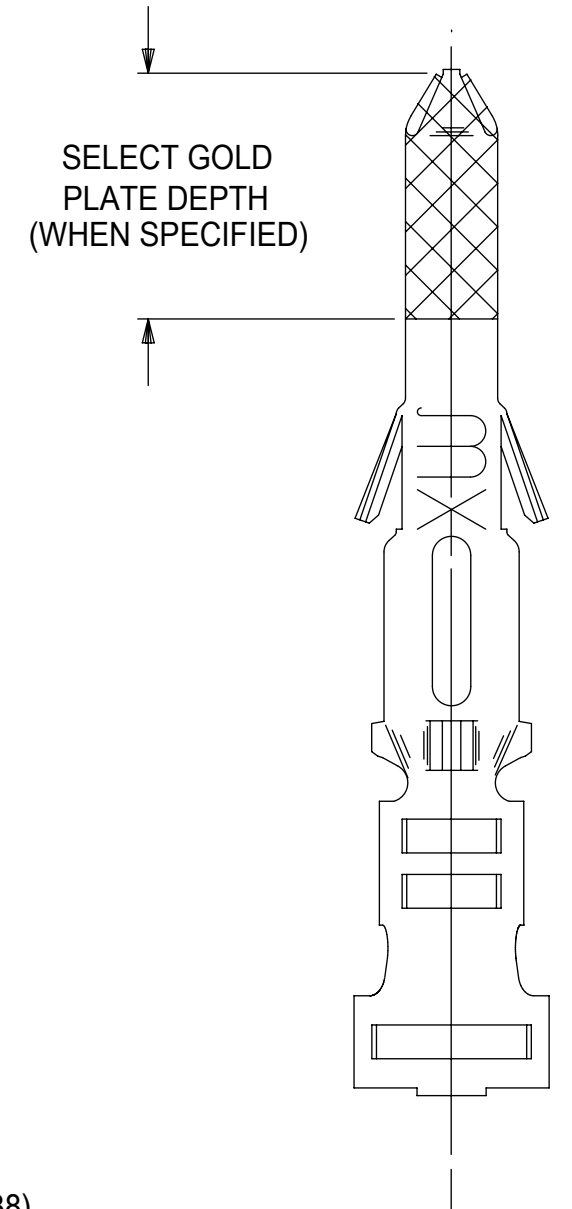
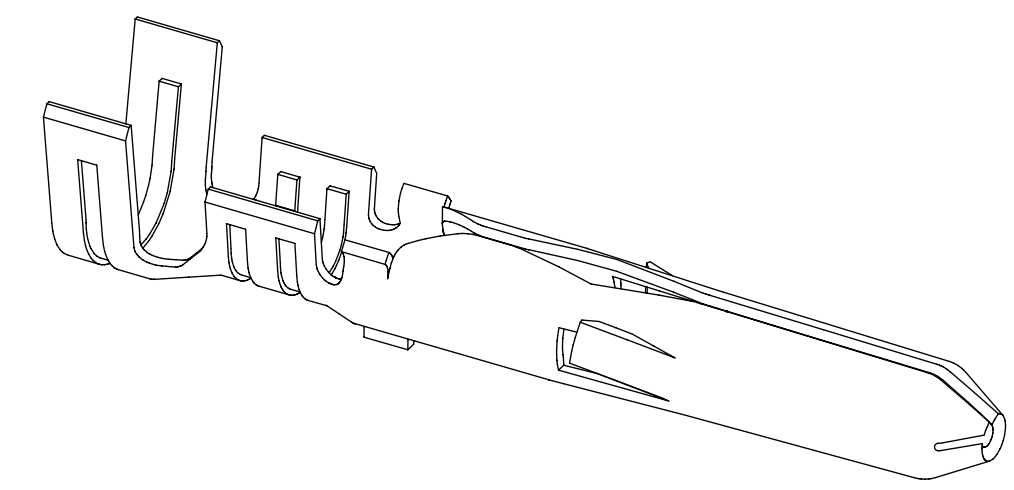
1560-(****)*

P=PREPLATE
 BLANK=POSTPLATE
 FINISH CODE
 FORM
 BLANK=CHAIN
 L=LOOSE

- NOTES:
- MATERIAL: BRASS
 - FINISHES:
 - 901 HOT TIN DIP (.00051)/.000020 MIN.
 - 228 SELECT GOLD PLATE (.00075)/.000030 MIN. IN CONTACT AREA, SELECT TIN (.00250)/.000100 MIN. IN CRIMP AREA OVER (.00125)/.000050 MIN. NICKEL OVERALL.
 - 231 SELECT GOLD PLATE (.00125)/.000050 MIN. IN CONTACT AREA, SELECT TIN (.00250)/.000100 MIN. IN CRIMP AREA OVER (.00125)/.000050 MIN. NICKEL OVERALL.
 - 561 SELECT GOLD PLATE (.00076)/.000030 MIN. IN CONTACT AREA, OVER (.00127)/.000050 MIN. NICKEL OVERALL.
 - 591 SELECT GOLD PLATE (.00127)/.000050 MIN. IN CONTACT AREA, OVER (.00127)/.000050 MIN. NICKEL OVERALL WITH (.000025)/.000010 MAX. GOLD FLASH OVERALL.
 - 550 SELECT GOLD PLATE (.00038)/.000015 MIN. IN CONTACT AREA, OVER (.00076)/.000030 MIN. NICKEL OVERALL WITH (.000025)/.000010 MAX. GOLD FLASH OVERALL.
 - PRODUCT SPECIFICATION: PS-02-06
 - PACKAGING INFORMATION:
 - LOOSE TERMINALS: PK-1190-003
 - CHAIN TERMINALS: 15600000-PK
 - TERMINAL FOR USE WITH (1.57)/.062 DIA. SERIES HOUSINGS AND WILL ACCEPT 18 THRU 24 AWG WIRE.

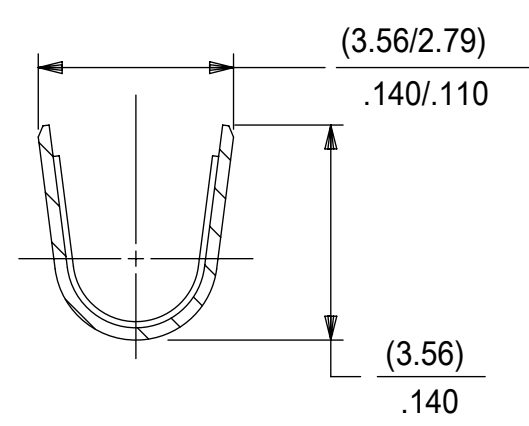


SECT. "A-A"



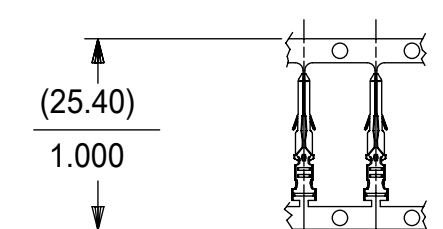
SECT. "B-B"

SCALE:10X



SECT. "C-C"

SCALE:10X



CARRIER VIEW
ACTUAL SIZE

THIS DRAWING CONTAINS INFORMATION THAT IS PROPRIETARY TO MOLEX ELECTRONIC TECHNOLOGIES, LLC AND SHOULD NOT BE USED WITHOUT WRITTEN PERMISSION											
SYMBOLS		DIMENSION UNITS		SCALE		CURRENT REV DESC: UPDATE PK SPEC					
∇ = 0	∇ = 0	IN/MM	8:1			molex CRIMP TERMINAL, MALE .062 DIA. FOR 18-24 AWG WIRE PRODUCT CUSTOMER DRAWING					
∇ = 0	∇ = 0	GENERAL TOLERANCES (UNLESS SPECIFIED)									
∇ = 0	∇ = 0	MM	INCH			EC NO: 614240 DRWN: JEHRISMAN 2019/03/22 CHK'D: FSMITH 2019/05/10 APPR: FSMITH 2019/05/10					
∇ = 0	∇ = 0	4 PLACES ±	±			INITIAL REVISION: DRWN: GEP 1987/08/19 APPR: RAS 1987/08/19					
∇ = 0	∇ = 0	3 PLACES ±	± 0.01			DOCUMENT NUMBER		DOC TYPE	DOC PART	REVISION	
∇ = 0	∇ = 0	2 PLACES ±	± 0.25	± 0.014			SD-1560-X		PSD	001	AP1
∇ = 0	∇ = 0	1 PLACE ±	± 0.35	±			MATERIAL NUMBER		CUSTOMER		
∇ = 0	∇ = 0	0 PLACES ±	±			SEE TABLE		GENERAL MARKET		SHEET NUMBER	
∇ = 0	∇ = 0	ANGULAR TOL ±	± 0.5 °							1 OF 1	
∇ = 0	∇ = 0	DRAFT WHERE APPLICABLE MUST REMAIN WITHIN DIMENSIONS		THIRD ANGLE PROJECTION		DRAWING	SERIES				
∇ = 0	∇ = 0			C-SIZE		1560					

DOCUMENT STATUS	P1	RELEASE DATE	2019/05/10	19:11:18
-----------------	----	--------------	------------	----------