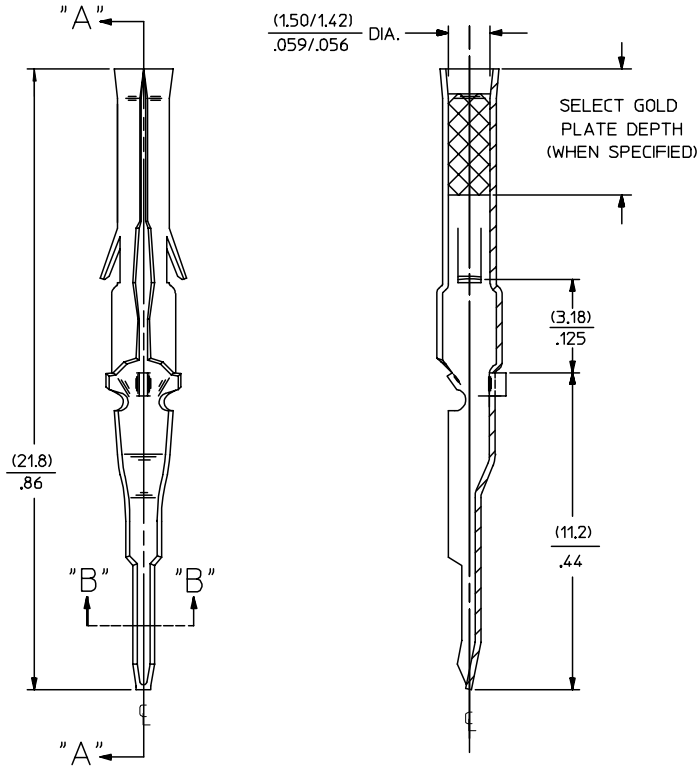
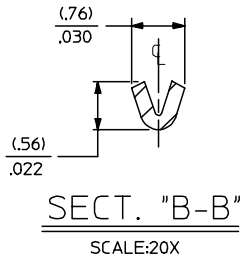
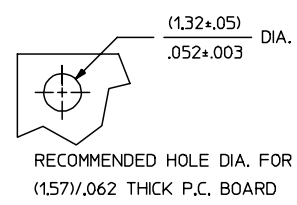
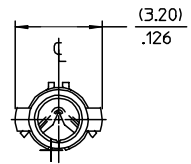


PART NO.	ENG. NO.
02-06-7103	1779-(P909)L
02-06-7104	1779-(P228)L



**LEGEND**  
 1779-(\*)\*\*\*)\*-\*

P=PREPLATE  
 BLANK+POSTPLATE  
 FINISH CODE

MATERIAL  
 BLANK=BRASS (.020) / .008 THICK

FORM  
 L=LOOSE

- NOTES:
- MATERIAL: BRASS
  - FINISH:
    - 909 HOT TIN DIP\* (.00254) / .000100 MIN.
    - 228 SELECT GOLD PLATE (.00075) / .000030 MIN. IN CONTACT AREA, SELECT TIN\* (.00250) / .000100 MIN. IN TAIL AREA, OVER (.00125) / .000050 MIN. NICKEL OVERALL.
  - THE PRIMARY SHIPPING CARTON WILL BE LABELED, 'COMPLIANT TO RoHS DIRECTIVE 2002/95/EC AND ANNEX II OF DIRECTIVE 2000/53/EC', AND CARTONS WITHOUT THIS LABEL MAY CONTAIN PRODUCT WITH TIN-LEAD.
  - PRODUCT SPECIFICATION: PS-02-06.
  - PACKAGING INFORMATION: NOT AVAILABLE
  - TERMINAL FOR USE WITH (1.57) / .062 SERIES HOUSINGS.

OBSOLETE P/N EC NO: DRWN: JLOWE CHKD: ADERR APPR: F SMITH	QUALITY SYMBOLS ▽ = 0 ▽ = 0	GENERAL TOLERANCES (UNLESS SPECIFIED)		SCALE 8:1	DESIGN UNITS INCH	THIRD ANGLE PROJECTION	REVISE ON CAD ONLY	
				DIMENSION STYLE MM/IN		TITLE		
		4 PLACES ± --- ± ---		DRAWN BY GEP		DATE 1987/11/02		TERMINAL, FEMALE (1.57) / .062 DIA P.C. TAIL TYPE
		3 PLACES ± --- ± .005		CHECKED BY RW		DATE 1987/11/02		
2 PLACES ± 0.13 ± .010		DRAFT WHERE APPLICABLE		APPROVED BY RAS	DATE 1987/11/02	MATERIAL NO. SEE CHART	DOCUMENT NO. SD-1779-*	
1 PLACE ± 0.25 ± ---		MUST REMAIN WITHIN DIMENSIONS		THIS DRAWING CONTAINS INFORMATION THAT IS PROPRIETARY TO MOLEX INCORPORATED AND SHOULD NOT BE USED WITHOUT WRITTEN PERMISSION		SHEET NO. 1 OF 1		