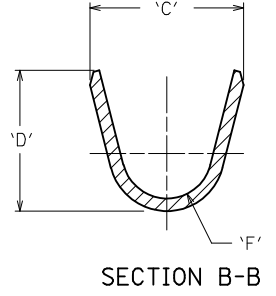
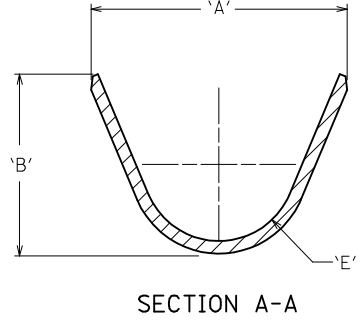
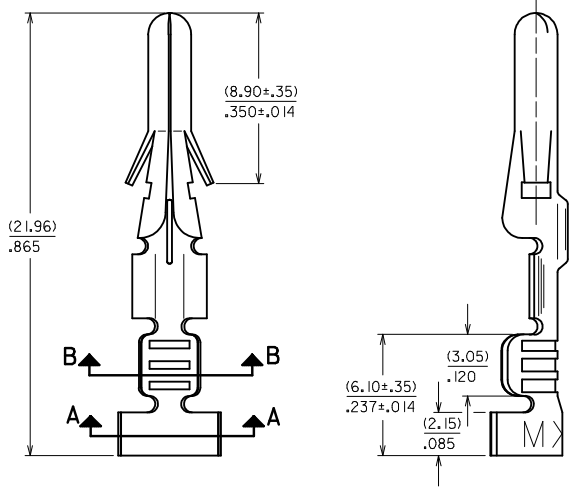
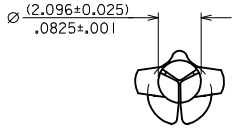


ENG NO.	ENG NO.	FORM	'A'	'B'	'C'	'D'	'E'	'F'
002-08-1335	8980-6L-LF	LOOSE, 14-20 AWG WIRE	(4.44) .175	(3.39) .133	(3.02) .119	(3.61) .142	(1.23) .048	(0.61) .024
002-08-1337	8980-6L1-LF	LOOSE, 18-22 AWG WIRE	(3.28) .129	(2.58) .102	(2.44) .096	(2.58) .102	(0.91) .036	(0.53) .021

- NOTES:
- THIS TERMINAL FOR USE WITH HOUSING P/N. 8981-4M*
 - FINISH: (.00089)/.000035 MIN. TIN OVER (.00051)/.000020 MIN. NICKEL.
 - MATERIAL: (0.25)/.010 THK PHOS BRONZE, ALLOY CA 51000.



OBS P/N EC NO: S2007-0291 DRWN:SKANG CHKD:MLONG APPR:SKTOH	REV DESCRIPTION	QUALITY SYMBOLS	GENERAL TOLERANCES (UNLESS SPECIFIED)	DIMENSION STYLE	SCALE	DESIGN UNITS	THIRD ANGLE PROJECTION															
		$\nabla = 0$ $\square = 0$	<table border="1"> <thead> <tr> <th></th> <th>mm</th> <th>INCH</th> </tr> </thead> <tbody> <tr> <td>4 PLACES</td> <td>± ---</td> <td>± ---</td> </tr> <tr> <td>3 PLACES</td> <td>± ---</td> <td>± .008</td> </tr> <tr> <td>2 PLACES</td> <td>± 0.20</td> <td>± ---</td> </tr> <tr> <td>1 PLACE</td> <td>± ---</td> <td>± ---</td> </tr> </tbody> </table>		mm	INCH	4 PLACES	± ---	± ---	3 PLACES	± ---	± .008	2 PLACES	± 0.20	± ---	1 PLACE	± ---	± ---	MM/IN	NTS	METRIC	
			mm	INCH																		
		4 PLACES	± ---	± ---																		
3 PLACES	± ---	± .008																				
2 PLACES	± 0.20	± ---																				
1 PLACE	± ---	± ---																				
	<table border="1"> <thead> <tr> <th></th> <th>DATE</th> <th>TITLE</th> </tr> </thead> <tbody> <tr> <td>DRAWN BY</td> <td>1994/11/03</td> <td rowspan="4">PIN CRIMP TYPE DIA. (2.13)/.084</td> </tr> <tr> <td>CHECKED BY</td> <td>1994/11/04</td> </tr> <tr> <td>APPROVED BY</td> <td>1994/11/04</td> </tr> <tr> <td>SKTOH</td> <td>1994/11/04</td> </tr> </tbody> </table>		DATE	TITLE	DRAWN BY	1994/11/03	PIN CRIMP TYPE DIA. (2.13)/.084	CHECKED BY	1994/11/04	APPROVED BY	1994/11/04	SKTOH	1994/11/04									
	DATE	TITLE																				
DRAWN BY	1994/11/03	PIN CRIMP TYPE DIA. (2.13)/.084																				
CHECKED BY	1994/11/04																					
APPROVED BY	1994/11/04																					
SKTOH	1994/11/04																					