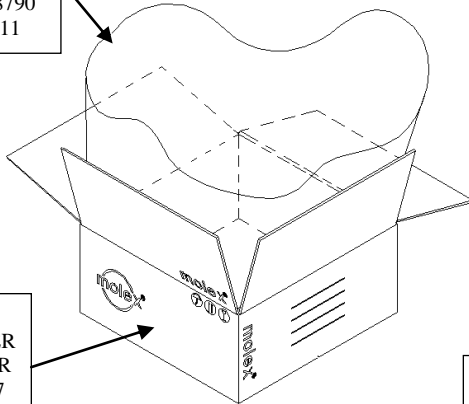


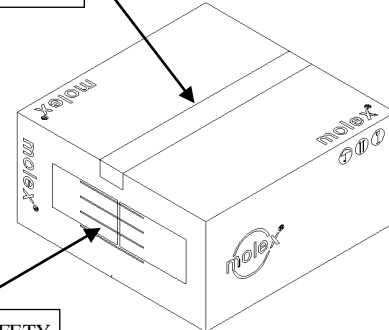


# PACKAGING SPECIFICATION

LINER BAG PART  
NUMBER 31300-8790  
PER ES-40000-7011



ADHESIVE TAPE PER  
ES-40000-7013



CARTON  
PART NUMBER  
96707-0014 PER  
ES-40000-7007

PRODUCT ID AND SAFETY  
LABEL PER ES-40000-7012

- 1) CARTON BOTTOMS CLOSED WITH STAPLES, TOPS TO BE SEALED WITH A 2" WIDE ADHESIVE TAPE.
- 2) USE PRESCRIBED BOX AND LINER BAG PER CHART BELOW. BAG MUST BE SEALED WITH KWIK LOK YPG PLAIN SEAL OR EQUIVALENT.
- 3) MOISTURIZATION ON PARTS WHEN NOTED. DEIONIZED WATER APPROXIMATELY, 2% BY WEIGHT PER BAG.

| ENGINEERING NO. | PARTS PER CARTON | MOISTURIZE (SEE NOTE 3) |
|-----------------|------------------|-------------------------|
| 42191-2P*       | 2,000            | NO                      |
| 42191-2R*       | 3,000            | NO                      |
| 42191-3P1*      | 2,000            | NO                      |
| 42191-3R1*      | 2,700            | NO                      |
| 42191-3R3*      | 2,000            | NO                      |

|   |  |  |                               |
|---|--|--|-------------------------------|
| REVISION:<br><b>A</b>                   | ECM INFORMATION:<br>ECM No: <b>108502</b><br>DATE: <b>2016-09-15</b> | TITLE:<br><b>BULK PACKAGING<br/>SPECIFICATION FOR<br/>42191 SERIES</b> | SHEET No.<br><b>1 of 1</b>    |
| DOCUMENT NUMBER:<br><b>421910000-PK</b> | CREATED / REVISED BY:<br><b>BAPPELDORN</b>                           | CHECKED BY:<br><b>MKIPPER</b>  | APPROVED BY:<br><b>FSMITH</b> |