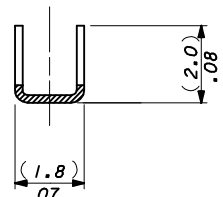
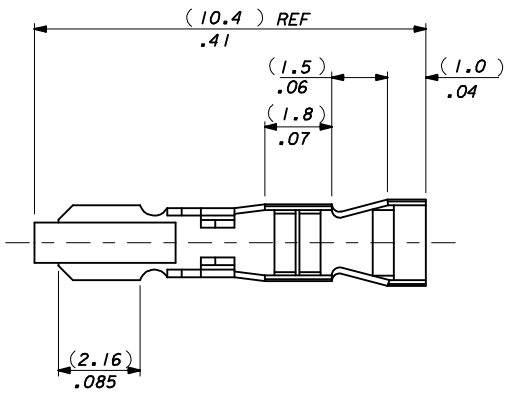


NOTES:

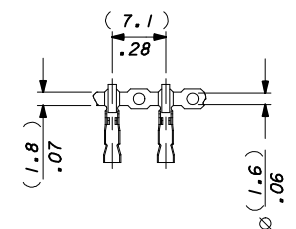
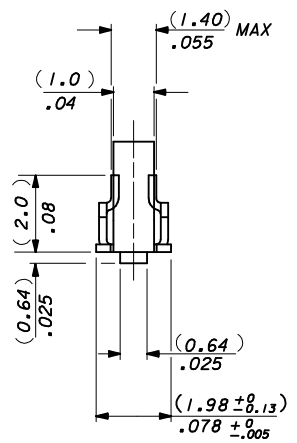
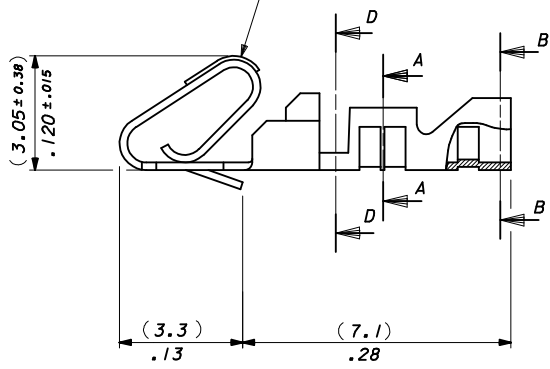
1. MATERIAL: (0.21)/.008 THICK BRASS.
2. FINISH: SEE SHEET 2.
3. THIS PART CONFORMS TO PRODUCT SPEC. 99020-0088.
4. TERMINAL MUST MEET BEND SPEC. SDES-219.
5. SUITABLE FOR 22-30 GA. WIRE, (1.57)/.062 MAX. INSULATION.
6. THIS PART CONFORMS TO CLASS B REQUIREMENTS OF COSMETIC SPECIFICATION PS-45499-002.



SECTION D-D
(4809-1T ONLY)



SELECTIVE PLATING AREA,
SEE CHART

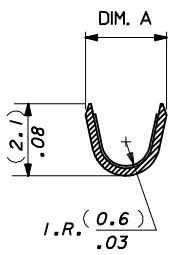


CARRIER STRIP DETAIL
SCALE 2:1

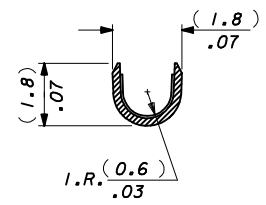
4809-(*)** *

- BLANK : DIM. A = (2.1) / 1.083 REF.
- M: DIM A = (2.2) / .087 REF.
- BLANK=CHAIN FORM TOP FEEDING REEL
- L=LOOSE FORM

PLATING CODE



SECTION B-B



SECTION A-A

SELECT GOLD AREA EC NO: UCP2013-5411 DRWN:KIPPER CHKD:JBELL APPR:FSMITH	2013/06/14 2013/06/17 2013/06/28	QUALITY SYMBOLS ∇=0 ∇=0 ∇=0	GENERAL TOLERANCES (UNLESS SPECIFIED)		DIMENSION STYLE MM/IN	SCALE 10:1	DESIGN UNITS METRIC	THIRD ANGLE PROJECTION
			4 PLACES ± --- ± --- 3 PLACES ± --- ± .010 2 PLACES ± 0.25 ± .014 1 PLACE ± 0.35 ± --- 0 PLACE ± ±	DRAWN BY MCC CHECKED BY DMORIARTY APPROVED BY JDENNEHY	DATE 1986/07/30 DATE 2004/10/18 DATE 2004/10/19	TITLE ANTI-FISH HOOKING TERMINAL KK.(2.50)/.100		
AN		DRAFT WHERE APPLICABLE MUST REMAIN WITHIN DIMENSIONS	ANGULAR ± --- °		MATERIAL NO. SEE CHART	DOCUMENT NO. SD-4809-*	SHEET NO. 1 OF 2	
THIS DRAWING CONTAINS INFORMATION THAT IS PROPRIETARY TO MOLEX INCORPORATED AND SHOULD NOT BE USED WITHOUT WRITTEN PERMISSION								

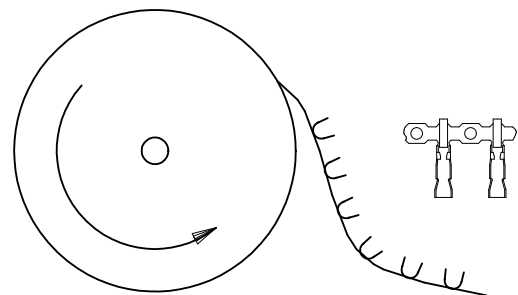
FINISH NOTES*

(550) GOLD PLATE (0.00038)/.000015 MIN. OVER (0.00076)/.000030 MIN. NICKEL

IN CONTACT AREA WITH (0.00005)/.000002 MIN. GOLD FLASH OVERALL.

(555) SELECTIVE GOLD (0.00038)/.000015 MIN. OVER (0.00076)/.000030 MIN. NICKEL IN CONTACT AREA ONLY.

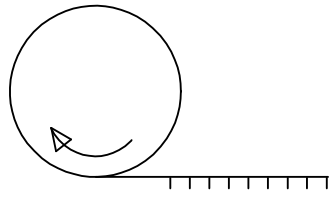
(P918) HOT TIN DIP (0.00102-0.00305)/.000040-.000120



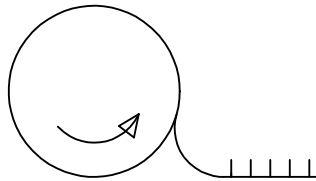
TERMINALS FEEDING FROM THE TOP OF THE REEL ARE STANDARD WOUND

08-55-0110	4809-(555)	CHAIN	(555)	(2.45 - 1.75)/ .096 - .069
08-55-0111	↑ -(555)L	LOOSE		
08-56-0120	-(550)	CHAIN	(550)	(2.45 - 1.75)/ .096 - .069
08-56-0115	↓ -(550)L	LOOSE		
08-50-0135	↓ -(P918)	CHAIN	(P918)	(2.45 - 1.75)/ .096 - .069
08-50-0136	4809 - (P918) L	LOOSE		
PART No	ENG No	FORM	FINISH	DIM . A
TOP FEEDING REELS ONLY				

CORRECT PLATING EC NO: UCP2011-2131 DRWNCSTEWART 2011/01/18 CHKD:HKIPPER 2011/01/26 APPR:FSMLTH 2011/02/04	QUALITY SYMBOLS	GENERAL TOLERANCES (UNLESS SPECIFIED)	DIMENSION STYLE	SCALE	DESIGN UNITS	THIRD ANGLE PROJECTION	
	▽=0	mm INCH	MM/IN	NTS	METRIC		
	▽=0	4 PLACES ± --- ± ---	DRAWN BY DATE	MCC 1986/07/30	ANTI-FISH HOOKING TERMINAL KK,(2.50)/.100		
	▽=0	3 PLACES ± --- ±.010	CHECKED BY DATE	DMORIART 2004/10/18			
	2 PLACES ± 0.25 ±.014	APPROVED BY DATE	JDENNEHY 2004/10/19	MOLEX INCORPORATED SD-4809-* SHEET NO. 2 OF 2			
	1 PLACE ± 0.35 ± ---	MATERIAL NO.	SEE CHART				
AM	ANGULAR ± ---°	DRAFT WHERE APPLICABLE MUST REMAIN WITHIN DIMENSIONS	SIZE C	THIS DRAWING CONTAINS INFORMATION THAT IS PROPRIETARY TO MOLEX INCORPORATED AND SHOULD NOT BE USED WITHOUT WRITTEN PERMISSION			



'A' WINDING REEL
PER ES 339



'B' WINDING REEL
PER ES 339

4809C-(*) * *

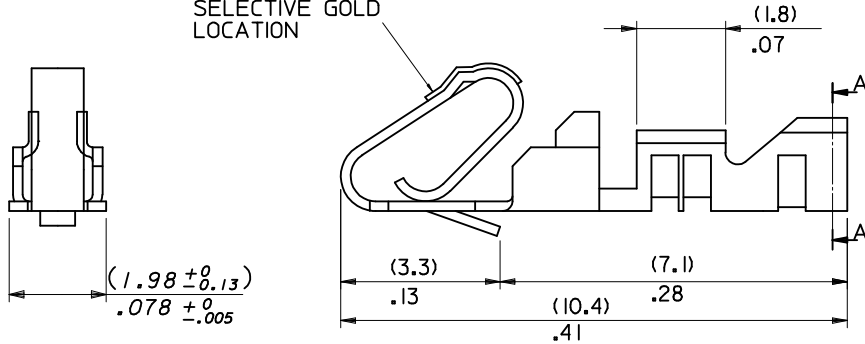
INSULATION CRIMP WIDTH
BLANK: DIM. A = (2.1)/.083 REF.
M: DIM. A = (2.2)/.087 REF.

PLATING CODE

FORM:

BLANK = CHAIN FORM, TOP FEEDING REEL
L = LOOSE FORM
BF = CHAIN FORM, BOTTOM FEEDING REEL

SELECTIVE GOLD LOCATION

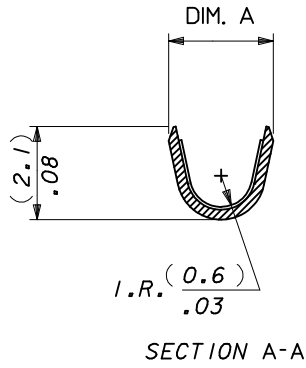


97-00-0001	4809C-(P918)BF	CHAIN	(P918)	(2.45-1.75)/.096-.069
PART No	ENG No	FORM	FINISH (SEE NOTE-2)	DIM . A
'A' WINDING PER E.S. 339				

08-55-0112	4809C-(555)	CHAIN	(555)	(2.45-1.75)/.096-.069
08-50-0030	4809C-(P918)M	CHAIN	(P918)	(2.35-2.05)/.093-.081
08-50-0031	4809C-(P918)	CHAIN	(P918)	(2.45-1.75)/.096-.069
08-50-0032	4809C-(P918)L	LOOSE	(P918)	(2.45-1.75)/.096-.069
PART No	ENG No	FORM	FINISH (SEE NOTE-2)	DIM . A
'B' WINDING PER E.S. 339 (CHAIN ONLY)				

NOTES:

1. MATERIAL (0.20±0.01)/.008±.0004 THICK BRASS.
2. FINISH: (555) - SELECTIVE GOLD (0.00038)/0.000015 MIN., OVERALL NICKEL (0.00076)/0.000030 MIN.
(P918) - HOT TIN DIP: (0.00102-0.00305)/.000040-.000120
3. THIS PART CONFORMS TO MOLEX PRODUCT SPEC. PS-99020-0088.
4. SAME AS SD-4809-* EXCEPT WITH CAT EARS.
5. FOR 22-30 GAUGE WIRE & (1.57)/.062 DIA. INSULATION MAX.
6. THIS PART CONFORMS TO CLASS B REQUIREMENTS OF COSMETIC SPECIFICATION PS-45499-002.



SELECT GOLD AREA EC NO: UCP2013-5411 DRW: HKIPPER 2013/06/14 CHKD: JBEL 2013/06/17 APPR: F SMITH 2013/06/28	QUALITY SYMBOLS ∇=0 ∇=0 ∇=0	GENERAL TOLERANCES (UNLESS SPECIFIED)		DIMENSION STYLE		SCALE	DESIGN UNITS	THIRD ANGLE PROJECTION		
				MM/IN		NTS	METRIC			
				mm	INCH	DRAWN BY	DATE	TITLE ANTI FISH HOOKING TERMINAL KK,(2.50)/.100 WITH CAT EARS molex		
				4 PLACES ± --- ± ---		AOD	1999/02/20			
		3 PLACES ± --- ± .010		CHECKED BY	DATE	DOCUMENT NO. SD-4809C-****				
		2 PLACES ± 0.25 ± .020		DMORIARTY	2004/10/18					
		1 PLACE ± 0.51 ± ---		APPROVED BY	DATE	SHEET NO. 1 OF 1				
		0 PLACE ± ±		JDENNEHY	2004/10/19					
		ANGULAR ± --- °		MATERIAL NO.						
		DRAFT WHERE APPLICABLE MUST REMAIN WITHIN DIMENSIONS		SEE CHART						
				SIZE	THIS DRAWING CONTAINS INFORMATION THAT IS PROPRIETARY TO MOLEX INCORPORATED AND SHOULD NOT BE USED WITHOUT WRITTEN PERMISSION					