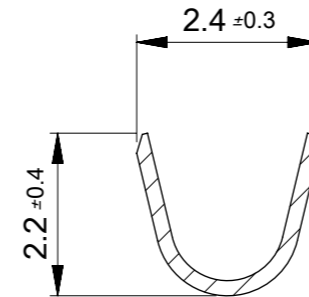
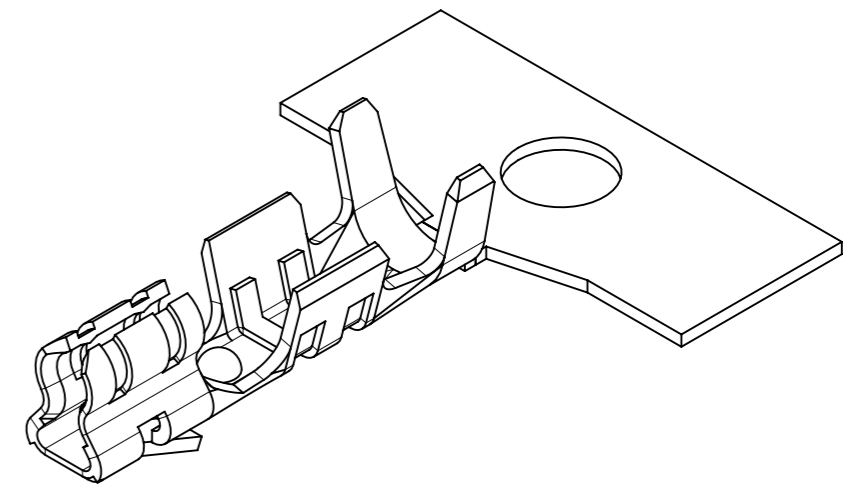


SECTION Z-Z

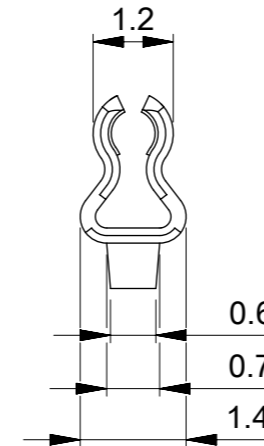


SECTION Y-Y



注記:
NOTES:

- △1 材質及び仕上げ(めっき仕様) : TABLE 1参照
MATERIAL AND FINISHES : SEE TABLE 1
- △2 製品仕様書、適用嵌合相手、適用ハウジングはSHEET 2をご参照ください。
PLEASE REFER TO SHEET 2 FOR PRODUCT SPECIFICATION,
MATE WITH AND APPLICABLE HOUSING.



△1 TABLE 1

絶縁被覆外径範囲 INSULATION RANGE	AWG#22-28	ポリ袋 POLY BAG	5263PBTL	08701040	バラ状 LOOSE
	適用電線範囲 WIRE RANGE	梱包形態 PACKAGING	ENG. NO.	オーダー番号 ORDER NO.	端子形状 FORM
リール REEL			5263PBT	08701039	連鎖状 CHAIN

PRE-RELEASE
REFERENCE
絶縁被覆外径範囲
INSULATION RANGE

THIS DRAWING CONTAINS INFORMATION THAT IS PROPRIETARY TO MOLEX ELECTRONIC TECHNOLOGIES, LLC AND SHOULD NOT BE USED WITHOUT WRITTEN PERMISSION		CURRENT REV DESC: MIGRATED		molex		
DIMENSION UNITS	SCALE					
mm	NTS			PRODUCT CUSTOMER DRAWING		
GENERAL TOLERANCES (UNLESS SPECIFIED)		EC NO: 636780		DOCUMENT NUMBER		
ANGULAR TOL ± 3.0°		DRWN: SUDAYGUNAGI 2019/06/24		DOC TYPE DOC PART REVISION		
4 PLACES ±		CHK'D: SAKIYAMA 2020/05/13		52630001-SD		
3 PLACES ±		APPR:		PSD 000 1		
2 PLACES ±		INITIAL REVISION:		MATERIAL NUMBER		
1 PLACE ± 0.2		DRWN: SUDAYGUNAGI 2019/06/24		CUSTOMER		
0 PLACES ± 0.2		APPR:		SEE CHART		
DRAFT WHERE APPLICABLE MUST REMAIN WITHIN DIMENSIONS	THIRD ANGLE PROJECTION	DRAWING	SERIES	SHEET NUMBER		
		A3-SIZE	5263	1 OF 2		

部品 PART	材質 MATERIAL	
ターミナル TERMINAL	母材 BASE METAL	リン青銅 PHOSPHOR BRONZE
	めっき PLATING	錫めっき : 0.9 micro-meter リフロー処理(前めっき) MATTE TIN REFLOW TREATMENT (PRE-PLATING)
DOCUMENT STATUS	RV	RELEASE DATE

△ 適用製品及び各種仕様書
 APPLICABLE PRODUCTS AND VARIOUS SPECIFICATIONS

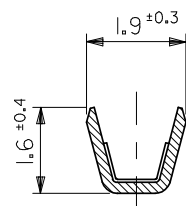
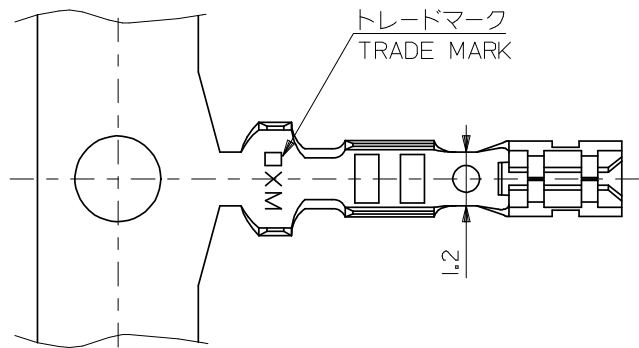
梱包仕様書 PACKAGING SPECIFICATION	ORDER NO.	SPECIFICATION NO.
	08701039	52639200-SPK PS 200
	08701040	
適用ハウジング APPLICABLE HOUSING	SINGLE TYPE	
シリーズ番号 SERIES NO.	5264N	
嵌合相手 MATE WITH	VERTICAL	RIGHT ANGLE
シリーズ番号 SERIES NO.	5267NA, 5267NAX	5268NA
製品仕様書 PRODUCT SPECIFICATION	PS-5264-001 PS 001	

製品嵌合図は各"嵌合相手"図面を参照のこと
 MATING VIEW : REFER TO "MATE WITH" PART DRAWING

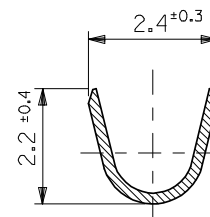


THIS DRAWING CONTAINS INFORMATION THAT IS PROPRIETARY TO MOLEX ELECTRONIC TECHNOLOGIES, LLC AND SHOULD NOT BE USED WITHOUT WRITTEN PERMISSION		CURRENT REV DESC: MIGRATED		molex		
DIMENSION UNITS	SCALE	EC NO: 636780				MINI-SPOX 2.5 W/B RECEPTACLE CRIMP TERMINAL
mm	NTS	DRWN: SUDAYGUNAGI 2019/06/24		PRODUCT CUSTOMER DRAWING		
GENERAL TOLERANCES (UNLESS SPECIFIED)		CHK'D: SAKIYAMA 2020/05/13		DOCUMENT NUMBER		
ANGULAR TOL	± 3.0 °	APPR:		52630001-SD		
4 PLACES	±	INITIAL REVISION:		DOC TYPE	DOC PART	
3 PLACES	±	DRWN: SUDAYGUNAGI 2019/06/24		PSD	000	
2 PLACES	±	APPR:		REVISION		
1 PLACE	± 0.2	DRWN: SUDAYGUNAGI 2019/06/24		1		
0 PLACES	± 0.2	APPR:				
DRAFT WHERE APPLICABLE MUST REMAIN WITHIN DIMENSIONS	THIRD ANGLE PROJECTION	DRAWING	SERIES	MATERIAL NUMBER	CUSTOMER	SHEET NUMBER
		A3-SIZE	5263	SEE SHEET 1	GENERAL	2 OF 2

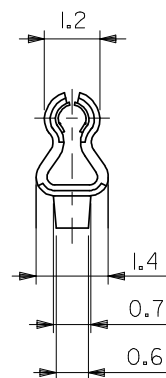
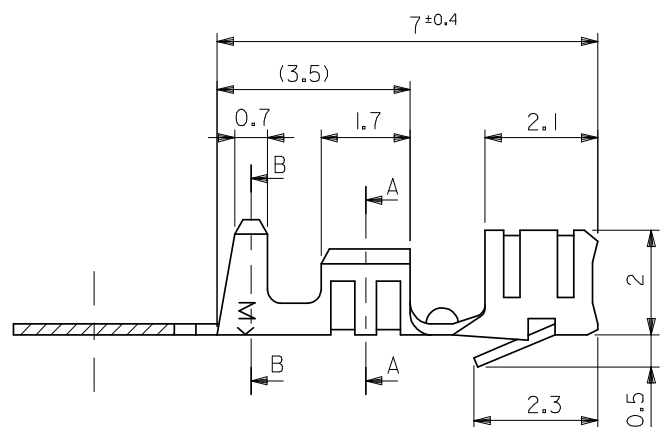
DOCUMENT STATUS	RV	RELEASE DATE
-----------------	----	--------------



断面 A-A
SECT. A-A

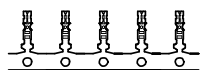
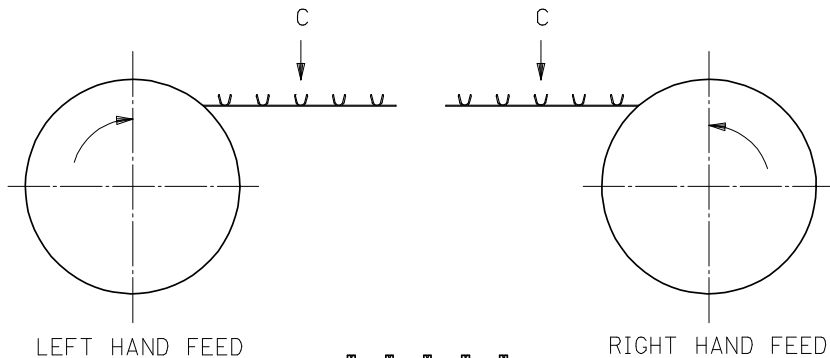


断面 B-B
SECT. B-B



注記
NOTE

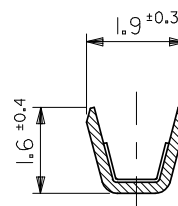
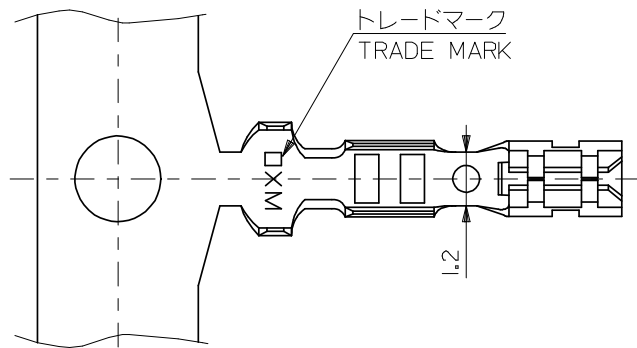
- 材質：リン青銅 (t=0.203)
MATERIAL : PHOSPHOR BRONZE
- メッキ：前錫メッキ
FINISH : PRE TINNED
- 使用ハウジング：5264 シリーズ
SUITABLE HOUSING : 5264 SERIES
- 適用電線範囲：AWG#22~28 (0.33 ~ 0.08mm²)
WIRE RENG : AWG #22-28(0.33 - 0.08mm²)
- 被覆外形：φ1.15 ~ φ1.9
INSULATION RANGE : φ 1.15 - φ1.9



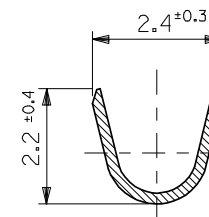
VIEW C

RIGHT HAND	39-00-0159	5263PBTR	連鎖状 CHAIN
LEFT HAND	08-70-1040	5263PBTL	バラ状 LOOSE
	08-70-1039	5263PBT	連鎖状 CHAIN
FEED TYPE	EDP NO.	ENG. NO.	端子形状 FORM

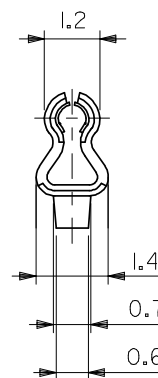
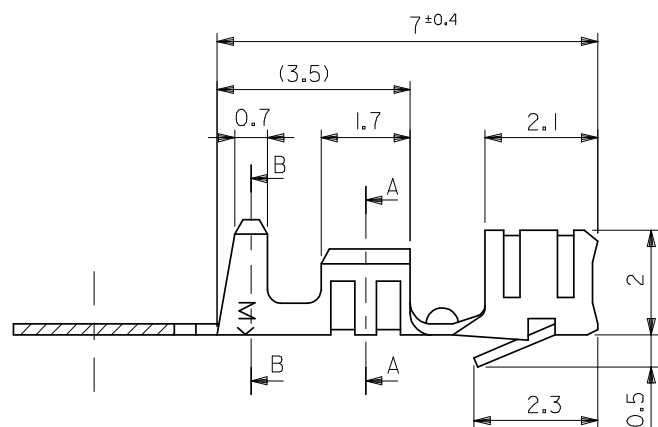
REVISED EC NO: J2008-4450 DRAWN: NABEI 2008/07/01 CHKD: KTOYODA 2008/07/02 APPR: NUKITA 2008/07/02	GENERAL TOLERANCES (UNLESS SPECIFIED)		DIMENSION STYLE MM ONLY	SCALE 10:1	DESIGN UNITS METRIC	THIRD ANGLE PROJECTION	MODEL NO.
	10 UNDER	±0.2	DRAWN BY K. TOJO	DATE '91/07/19	2.5 LOW PROFILE CRIMP RECEPTACLE		
	10 OVER 30 UNDER	±0.25	CHECKED BY M. FUKUSHIMA	DATE '91/08/09			
	30 OVER	±0.3	APPROVED BY M. ENOMOTO	DATE '91/08/09	MOLEX INCORPORATED		
	ANGULAR	±3 °	MATERIAL NO.	DOCUMENT NO.			
DRAFT WHERE APPLICABLE MUST REMAIN WITHIN DIMENSIONS		SEE TABLE		SD-5263-003		EN-02JA(021)	



断面 A-A
SECT. A-A

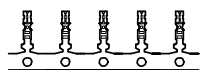
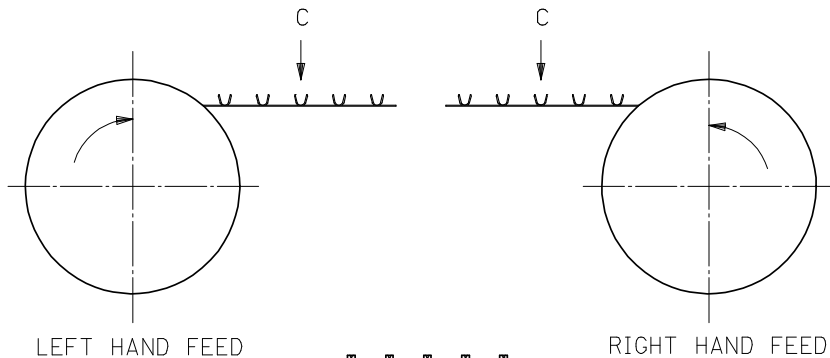


断面 B-B
SECT. B-B



注記
NOTE

- 材質：リン青銅 (t=0.203)
MATERIAL : PHOSPHOR BRONZE
- メッキ：前錫メッキ
FINISH : PRE TINNED
- 使用ハウジング：5264 シリーズ
SUITABLE HOUSING : 5264 SERIES
- 適用電線範囲：AWG#22~28 (0.33 ~ 0.08mm²)
WIRE RENG : AWG #22-28(0.33 - 0.08mm²)
- 被覆外形：φ1.15 ~ φ1.9
INSULATION RANGE : φ 1.15 - φ1.9



VIEW C

RIGHT HAND	39-00-0159	5263PBTR	連鎖状 CHAIN
LEFT HAND	08-70-1040	5263PBTL	バラ状 LOOSE
	08-70-1039	5263PBT	連鎖状 CHAIN
FEED TYPE	EDP NO.	ENG. NO.	端子形状 FORM

REVISED EC NO: J2008-4450 DRAWN: NABEI 2008/07/01 CHKD: KTOYODA 2008/07/02 APPR: NUKITA 2008/07/02	GENERAL TOLERANCES (UNLESS SPECIFIED)		DIMENSION STYLE MM ONLY	SCALE 10:1	DESIGN UNITS METRIC	THIRD ANGLE PROJECTION	MODEL NO.
	10 UNDER	±0.2	DRAWN BY K. TOJO	DATE '91/07/19	2.5 LOW PROFILE CRIMP RECEPTACLE		
	10 OVER 30 UNDER	±0.25	CHECKED BY M. FUKUSHIMA	DATE '91/08/09			
	30 OVER	±0.3	APPROVED BY M. ENOMOTO	DATE '91/08/09	MOLEX INCORPORATED		
	ANGULAR	±3 °	MATERIAL NO.	DOCUMENT NO.			
DRAFT WHERE APPLICABLE MUST REMAIN WITHIN DIMENSIONS		SEE TABLE		SD-5263-003		EN-02JA(021)	