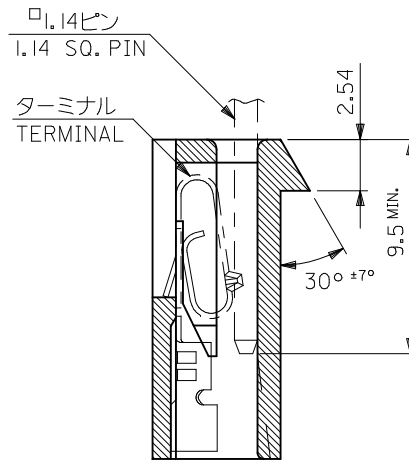
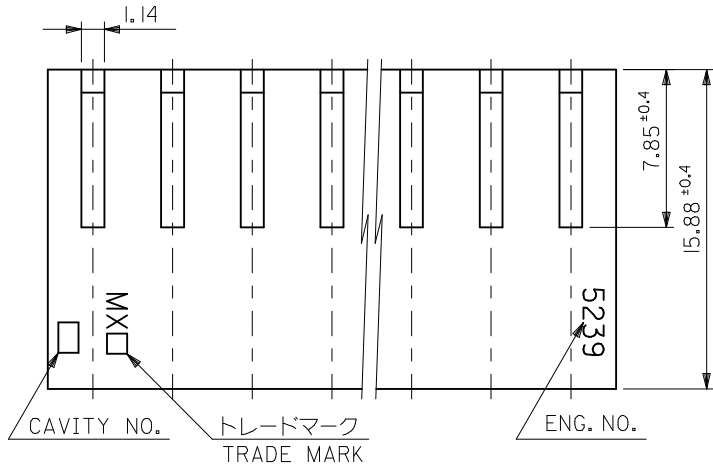


注記 NOTES

- 適合ターミナル : 2478,2578,5167,5168 シリーズ
APPLICABLE TERMINAL: 2478,2578,5167,5168SERIES.
- 反り : 0.2/25.4 MAX.
CAMBER: 0.2/25.4MAX.



SECT. C-C



48.06	43.56 ± 0.25	09-52-4124	5239-12	12
40.14	35.64 ± 0.25	▲ -4104	▲ -10	10
24.30	19.80 ± 0.2	-4064	-06	6
20.34	15.84 ± 0.15	-4054	-05	5
16.38	11.88 ± 0.15	-4044	-04	4
12.42	7.92 ± 0.15	▼ -4034	▼ -03	3
8.46	3.96 ± 0.1	09-52-4024	5239-02	2
B	A	EDP NO.	ENG. NO.	極数 CKT.

REVISED EC NO: J2017-0534 DRWNGES CHKD: APPR:MSASAO	DESCRIPTION 2017/04/20 2017/05/26	GENERAL TOLERANCES (UNLESS SPECIFIED)		DIMENSION STYLE MM ONLY		SCALE 4:1	DESIGN UNITS METRIC	THIRD ANGLE PROJECTION		
		0.25 UNDER	±	DRAWN BY H. HIRAMOTO	DATE 1989/09/15	TITLE KK 3.96 RECEPTACLE HSG				
		0.25 OVER 0.5 UNDER	±	CHECKED BY S. A / M. F	DATE 1996/04/10					
		0.5 OVER 1.0 UNDER	±	APPROVED BY M. FUKUSHIMA	DATE 1996/04/10					
0 OVER 10 UNDER	± 0.2	MATERIAL NO.		DOCUMENT NO.		SHEET NO. 1 OF 1				
10 OVER 30 UNDER	± 0.25	SEE CHART		SD-5239-N		THIS DRAWING CONTAINS INFORMATION THAT IS PROPRIETARY TO MOLEX ELECTRONIC TECHNOLOGIES, LLC AND SHOULD NOT BE USED WITHOUT WRITTEN PERMISSION				
30 OVER	± 0.3	DRAFT WHERE APPLICABLE MUST REMAIN WITHIN DIMENSIONS		SIZE A3						