

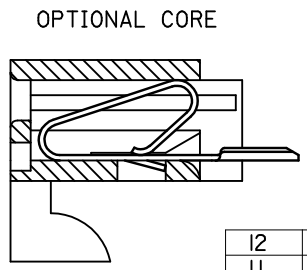
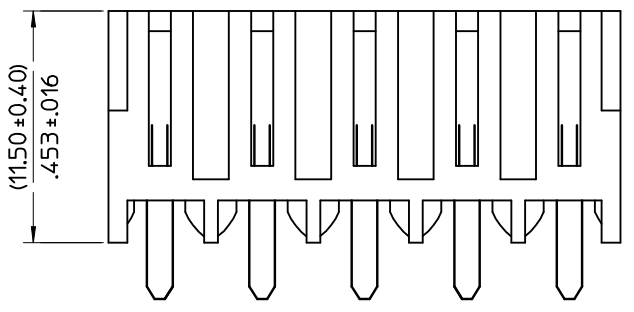
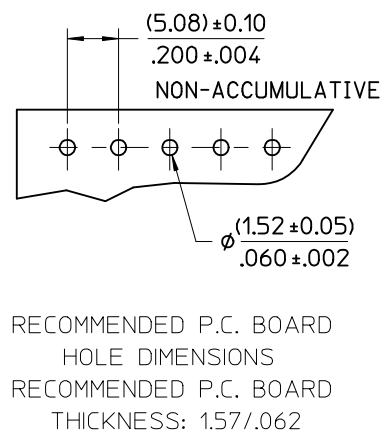
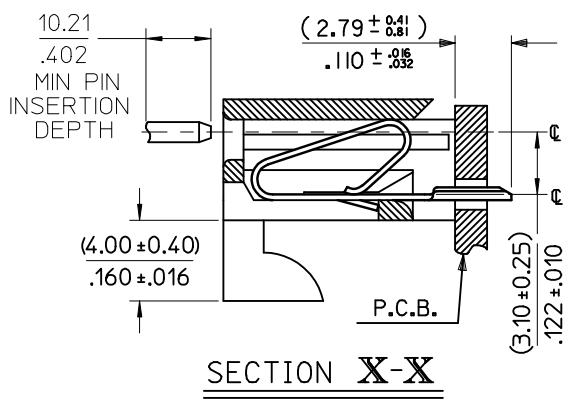
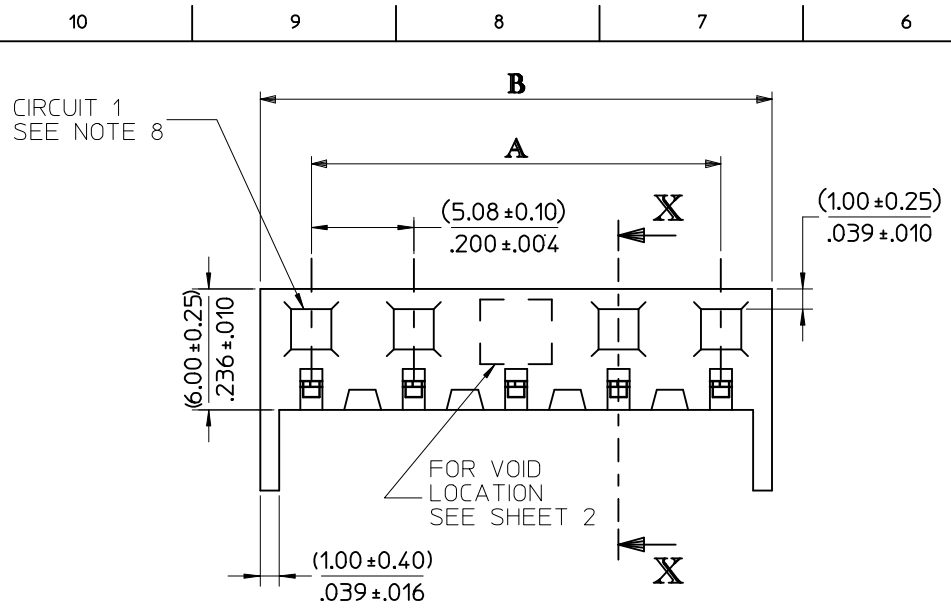
No OF CIRCUITS	PART No.	ENG. No.	A		B		A		B	
			mm	INCH	mm	INCH	mm	INCH	mm	INCH
12	10-10-1123	AE-3002-12C	2.200 ± 0.010	2.400 ± 0.010	55.88 ± 0.25	60.96 ± 0.25				
11	↑ -1113	↑ -11C	2.000 ± 0.008	2.200 ± 0.008	50.80 ± 0.20	55.88 ± 0.20				
10	↑ -1103	↑ -10C	1.800 ± 0.008	2.000 ± 0.008	45.72 ± 0.20	50.80 ± 0.20				
9	↑ -1093	↑ -9C	1.600 ± 0.008	1.800 ± 0.008	40.64 ± 0.20	45.72 ± 0.20				
8	↑ -1083	↑ -8C	1.400 ± 0.008	1.600 ± 0.008	35.56 ± 0.20	40.64 ± 0.20				
7	↑ -1073	↑ -7C	1.200 ± 0.008	1.400 ± 0.008	30.48 ± 0.20	35.56 ± 0.20				
6	↑ -1063	↑ -6C	1.000 ± 0.004	1.200 ± 0.008	25.40 ± 0.10	30.48 ± 0.20				
5	↑ -1053	↑ -5C	.800 ± 0.004	1.000 ± 0.006	20.32 ± 0.10	25.40 ± 0.20				
4	↑ -1043	↑ -4C	.600 ± 0.004	.800 ± 0.006	15.24 ± 0.10	20.32 ± 0.20				
3	↑ -1033	↑ -3C	.400 ± 0.004	.600 ± 0.006	10.16 ± 0.10	15.24 ± 0.20				
2	10-10-1023	AE-3002-2C	.200 ± 0.004	.400 ± 0.006	5.08 ± 0.10	10.16 ± 0.20				

- NOTES:
- HOUSING : NYLON, UL94V-2, COLOR: NATURAL
TERMINAL : PHOSPHOR BRONZE
 - FINISH: HOT TIN DIP, (0.00254)/.000100 MIN
 - PRODUCT SPECIFICATION : PS-99020-0087
 - PACKAGING SPECIFICATION : PK-3002-002
 - HOUSING SUITABLE FOR (1.14±0.15)/.045±.006 RD OR SQ. PINS
 - HOOKS AVAILABLE ON ENDS ONLY
 - THIS PART CONFORMS TO CLASS B REQUIREMENTS OF COSMETIC SPECIFICATION PS-45499-002
 - CIRCUIT 1 I.D. USED TO DEFINE VOID LOCATION.
CIRCUIT 1 MAY OR MAY NOT LINE UP WITH CIRCUIT 1 OF MATING PART

PIN INSERTION DEPTH	EC NO: UCP2017-0772	2016/10/05	QUALITY SYMBOLS	FA=0
	DRWN:KIPPER	2016/10/05		FC=0
	CHKD:JDFOX	2016/10/07		FB=0
	APPR:FSM/TH			
L2	REV			

GENERAL TOLERANCES (UNLESS SPECIFIED)		DIMENSION STYLE		SCALE	DESIGN UNITS	THIRD ANGLE PROJECTION
		MM/IN		5:1	METRIC	⊙
4 PLACES	± --- ± ---	DRAWN BY	DATE	TITLE		
3 PLACES	± --- ± ---	P MOORE	1998/09/14	KONEKTCON & P.C. TAIL		
2 PLACES	± --- ± ---	CHECKED BY	DATE	TERMINAL ASSEMBLY		
1 PLACE	± --- ± ---	MGOONEY	1999/03/08	(5.08)/.200 PITCH		
0 PLACE	± --- ± ---	APPROVED BY	DATE	molex		
		MWILHITE	1999/03/08	DOCUMENT NO.		
	ANGULAR ±1/2°	MATERIAL NO.		SDAE-3002-NC-*		
	DRAFT WHERE APPLICABLE	SEE CHART		SHEET NO.		
	MUST REMAIN WITHIN DIMENSIONS	SIZE A3		1 OF 2		

DRAWN BY		DATE	TITLE	
P MOORE		1998/09/14	KONEKTCON & P.C. TAIL	
CHECKED BY		DATE	TERMINAL ASSEMBLY	
MGOONEY		1999/03/08	(5.08)/.200 PITCH	
APPROVED BY		DATE	molex	
MWILHITE		1999/03/08	DOCUMENT NO.	
		MATERIAL NO.		SDAE-3002-NC-*
		SEE CHART		SHEET NO.
		SIZE A3		1 OF 2



No OF CIRCUITS	PART No.	ENG. No.	A		B		A		B	
			mm	INCH	mm	INCH	mm	INCH	mm	INCH
12	10-10-1123	AE-3002-12C	2.200 ± 0.010	2.400 ± 0.010	55.88 ± 0.25	60.96 ± 0.25				
11	↑ -1113	↑ -11C	2.000 ± 0.008	2.200 ± 0.008	50.80 ± 0.20	55.88 ± 0.20				
10	↑ -1103	↑ -10C	1.800 ± 0.008	2.000 ± 0.008	45.72 ± 0.20	50.80 ± 0.20				
9	↑ -1093	↑ -9C	1.600 ± 0.008	1.800 ± 0.008	40.64 ± 0.20	45.72 ± 0.20				
8	↑ -1083	↑ -8C	1.400 ± 0.008	1.600 ± 0.008	35.56 ± 0.20	40.64 ± 0.20				
7	↑ -1073	↑ -7C	1.200 ± 0.008	1.400 ± 0.008	30.48 ± 0.20	35.56 ± 0.20				
6	↑ -1063	↑ -6C	1.000 ± 0.004	1.200 ± 0.008	25.40 ± 0.10	30.48 ± 0.20				
5	↑ -1053	↑ -5C	.800 ± 0.004	1.000 ± 0.008	20.32 ± 0.10	25.40 ± 0.20				
4	↑ -1043	↑ -4C	.600 ± 0.004	.800 ± 0.008	15.24 ± 0.10	20.32 ± 0.20				
3	↑ -1033	↑ -3C	.400 ± 0.004	.600 ± 0.008	10.16 ± 0.10	15.24 ± 0.20				
2	10-10-1023	AE-3002-2C	.200 ± 0.004	.400 ± 0.008	5.08 ± 0.10	10.16 ± 0.20				

- NOTES:
- HOUSING : NYLON, UL94V-2, COLOR: NATURAL
TERMINAL : PHOSPHOR BRONZE
 - FINISH: HOT TIN DIP, (0.00254)/.000100 MIN
 - PRODUCT SPECIFICATION : PS-99020-0087
 - PACKAGING SPECIFICATION : PK-3002-002
 - HOUSING SUITABLE FOR (1.14±0.15)/.045±.006 RD OR SQ. PINS
 - HOOKS AVAILABLE ON ENDS ONLY
 - THIS PART CONFORMS TO CLASS B REQUIREMENTS OF COSMETIC SPECIFICATION PS-45499-002
 - CIRCUIT 1 I.D. USED TO DEFINE VOID LOCATION.
CIRCUIT 1 MAY OR MAY NOT LINE UP WITH CIRCUIT 1 OF MATING PART

PIN INSERTION DEPTH	EC NO: UCP2017-0772	2016/10/05	QUALITY SYMBOLS	FA=0
	DRWN:KIPPER	2016/10/05		FB=0
	CHKD:JDFOX	2016/10/05		FC=0
	APPR:FSM/TH	2016/10/07		FD=0
L2	REV			

GENERAL TOLERANCES (UNLESS SPECIFIED)		DIMENSION STYLE		SCALE	DESIGN UNITS	THIRD ANGLE PROJECTION
		MM/IN		5:1	METRIC	⊙
4 PLACES	± --- ± ---	DRAWN BY	DATE	TITLE		
3 PLACES	± --- ± ---	P MOORE	1998/09/14	KONEKTCON & P.C. TAIL		
2 PLACES	± --- ± ---	CHECKED BY	DATE	TERMINAL ASSEMBLY		
1 PLACE	± --- ± ---	MGOONEY	1999/03/08	(5.08)/.200 PITCH		
0 PLACE	± --- ± ---	APPROVED BY	DATE	molex		
		MWILHITE	1999/03/08	DOCUMENT NO.		
	ANGULAR ±1/2°	MATERIAL NO.		SDAE-3002-NC-*		
	DRAFT WHERE APPLICABLE	SEE CHART		SHEET NO.		
	MUST REMAIN WITHIN DIMENSIONS	SIZE A3		1 OF 2		

THIS DRAWING CONTAINS INFORMATION THAT IS PROPRIETARY TO MOLEX INCORPORATED AND SHOULD NOT BE USED WITHOUT WRITTEN PERMISSION