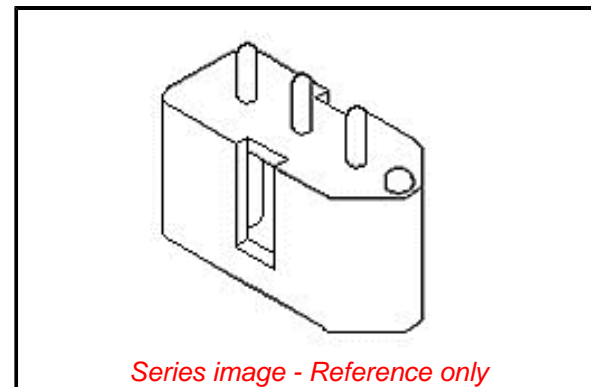


**PLEASE CHECK WWW.MOLEX.COM FOR LATEST PART INFORMATION**

**Part Number:** [0010181037](#)  
**Status:** **Active**  
**Overview:** Standard .093" Pin and Socket Connectors  
**Description:** 2.36mm Diameter Standard .093" Pin and Socket Header, Shrouded, 3 Circuits, 2 Female Terminals, 1 Male Terminal

**Documents:**

<a href="#">3D Model</a>	<a href="#">Packaging Specification PK-3099-002-001 (PDF)</a>
<a href="#">Drawing (PDF)</a>	<a href="#">RoHS Certificate of Compliance (PDF)</a>
<a href="#">3D Model (PDF)</a>	



**Agency Certification**

CSA	LR19980
UL	E29179

**General**

Product Family	PCB Headers
Series	3099
Application	Power, Wire-to-Board
Comments	Solder Type Round Pin/Socket
Overview	<a href="#">Standard .093" Pin and Socket Connectors</a>
Product Name	Standard .093"
UPC	800754215244

**Physical**

Breakaway	No
Circuits (Loaded)	3
Circuits (maximum)	3
Color - Resin	Black
Durability (mating cycles max)	25
Flammability	94V-2
Glow-Wire Capable	No
Lock to Mating Part	Yes
Material - Metal	Brass, Phosphor Bronze
Material - Plating Mating	Tin
Material - Plating Termination	Tin
Material - Resin	Polyester
Net Weight	1.322/g
Number of Rows	1
Orientation	Vertical
PC Tail Length	4.32mm
PCB Locator	Yes
PCB Retention	None
PCB Thickness - Recommended	1.60mm
Packaging Type	Bag
Pitch - Mating Interface	5.03mm
Plating min - Mating	1.270µm
Plating min - Termination	1.270µm
Polarized to Mating Part	Yes
Polarized to PCB	Yes
Shrouded	Fully
Stackable	No
Surface Mount Compatible (SMC)	No
Temperature Range - Operating	-40° to +105°C
Termination Interface: Style	Through Hole

**Electrical**

**EU ELV**

**Not Relevant**

**EU RoHS**

**Compliant**

**REACH SVHC**

Not Contained Per -  
ECHA\_01\_2020 (16  
January 2020

**Halogen-Free**

**Status**

**Not Low-Halogen**

For more information, please visit [Contact US](#)

China ROHS

ELV

RoHS Phthalates

**China RoHS**

Green Image

Not Relevant

Not Contained

**Search Parts in this Series**

[3099 Series](#)

**Mates With**

[03091081](#) , [03091032](#)

Current - Maximum per Contact	5.0A
Voltage - Maximum	250V

**Solder Process Data**

Duration at Max. Process Temperature (seconds)	005
Lead-free Process Capability	WAVE
Max. Cycles at Max. Process Temperature	001
Process Temperature max. C	235

**Material Info**

Engineering Number	3099P3H
--------------------	---------

**Reference - Drawing Numbers**

Packaging Specification	PK-3099-002-001
Sales Drawing	SDA-3099-X3XX

This document was generated on 04/15/2020

**PLEASE CHECK [WWW.MOLEX.COM](http://WWW.MOLEX.COM) FOR LATEST PART INFORMATION**