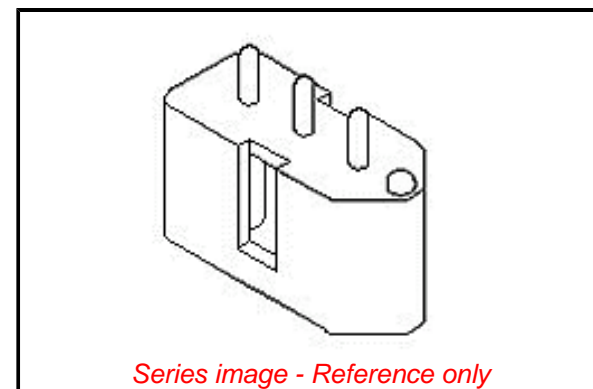


PLEASE CHECK WWW.MOLEX.COM FOR LATEST PART INFORMATION

Part Number: [0010181091](#)
Status: **Active**
Overview: Standard .093" Pin and Socket Connectors
Description: 2.36mm Diameter Standard .093" Pin and Socket Header, Shrouded, 9 Circuits, 9 Female Terminals

Documents:

3D Model	Packaging Specification PK-3099-002-001 (PDF)
Drawing (PDF)	RoHS Certificate of Compliance (PDF)
3D Model (PDF)	



Agency Certification

CSA	LR19980
UL	E29179

General

Product Family	PCB Headers
Series	3099
Application	Power, Wire-to-Board
Comments	Solder Type Round Socket
Overview	Standard .093" Pin and Socket Connectors
Product Name	Standard .093"
UPC	756054867433

Physical

Breakaway	No
Circuits (Loaded)	9
Circuits (maximum)	9
Color - Resin	Black
Durability (mating cycles max)	25
Flammability	94V-2
Glow-Wire Capable	No
Lock to Mating Part	Yes
Material - Metal	Brass, Phosphor Bronze
Material - Plating Mating	Tin
Material - Plating Termination	Tin
Material - Resin	Polyester
Number of Rows	3
Orientation	Vertical
PC Tail Length	4.32mm
PCB Locator	Yes
PCB Retention	None
PCB Thickness - Recommended	1.60mm
Packaging Type	Bag
Pitch - Mating Interface	5.03mm
Plating min - Mating	1.270µm
Plating min - Termination	1.270µm
Polarized to Mating Part	Yes
Polarized to PCB	Yes
Shrouded	Fully
Stackable	No
Surface Mount Compatible (SMC)	No
Temperature Range - Operating	-40° to +105°C
Termination Interface: Style	Through Hole

Electrical

Current - Maximum per Contact	5.0A
-------------------------------	------

EU ELV

Not Reviewed

EU RoHS

Not Reviewed

REACH SVHC

Not Reviewed

Halogen-Free

Status

Not Reviewed

For more information, please visit [Contact US](#)

China ROHS

Not Reviewed

ELV

Not Reviewed

RoHS Phthalates

Not Reviewed

Search Parts in this Series

[3099 Series](#)

Mates With

[03091091](#) , [03091094](#)

Voltage - Maximum

250V

Material Info

Engineering Number

A30990902

Reference - Drawing Numbers

Packaging Specification

PK-3099-002-001

Sales Drawing

SDA-3099-09XX

This document was generated on 06/04/2020

PLEASE CHECK WWW.MOLEX.COM FOR LATEST PART INFORMATION