

Distributed by:

JAMECO[®]
ELECTRONICS

www.Jameco.com ♦ 1-800-831-4242

The content and copyrights of the attached
material are the property of its owner.

Jameco Part Number 521578

FEATURES AND SPECIFICATIONS

Features and Benefits

- Sizes 2 to 6 circuits available
- Polarization through varied center spacing between circuits 1 and 2
- With locking ramp
- Molded pull tab
- Molded-in locking arm for terminal

Reference Information

Packaging: Bag
 UL File No.: E29179
 CSA File No.: LR19980
 Mates With: 5287-NA, 5288-NA, 5289-NA and 53331 headers
 Use With: 5194 and 5225 terminals
 Designed In: Millimeters

Electrical

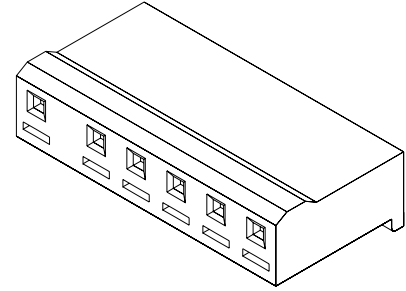
Voltage: 250V
 Current: 5194—7.0A
 5225—4.0A
 Contact Resistance: 10mΩ max.
 Dielectric Withstanding Voltage: 1500V AC/1 min.
 Insulation Resistance: 1000 MΩ min.

Physical

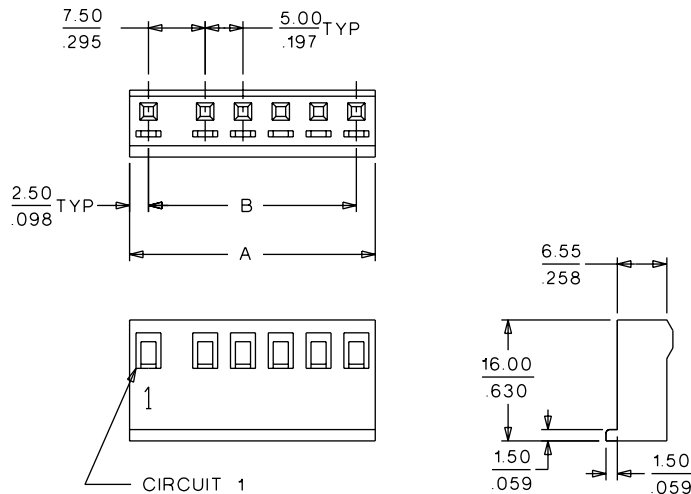
Housing: 6/6 nylon, UL 94V-2
 Operating Temperature: -40 to +105°C

molex® 5.00mm (.197") Pitch SPOX™ Crimp Terminal Housing

5199-N

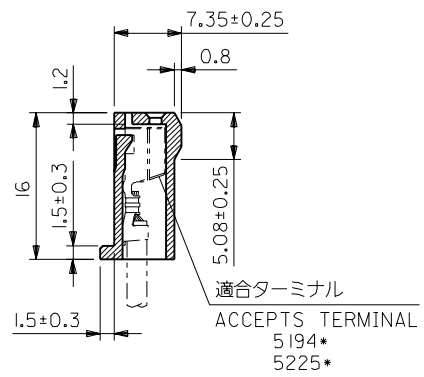
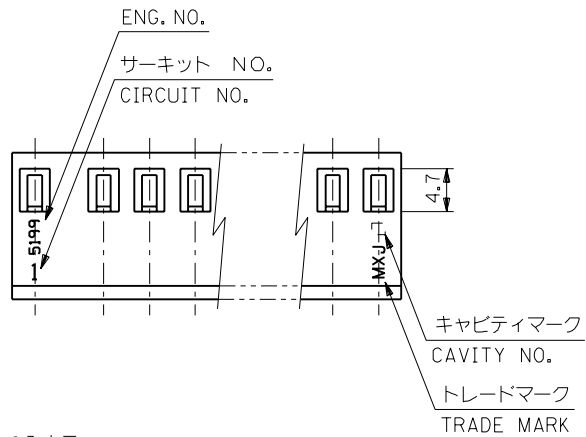
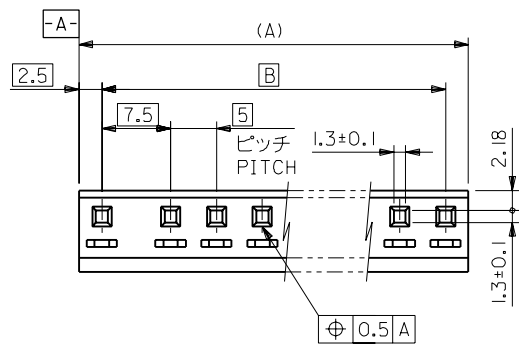


CATALOG DRAWING (FOR REFERENCE ONLY)



ORDERING INFORMATION AND DIMENSIONS

Circuits	Order No.	Dimension	
		A	B
2	10-63-3024	12.50 (.492)	7.50 (.295)
3	10-63-3034	17.50 (.689)	12.50 (.492)
4	10-63-3044	22.50 (.886)	17.50 (.689)
5	10-63-3054	27.50 (1.083)	22.50 (.886)
6	10-63-3064	32.50 (1.280)	27.50 (1.083)



注) NOTE.

1. 各部のそりは0.5最大
WARPING:0.5MAX.
2. サークットNO. はNO. * 1* のみ表示
CIRCUIT NO.: *1* ONLY

10-63-3064	5199-06	27.5	32.5	6
↑ -3054	↑ -05	22.5	27.5	5
-3044	-04	17.5	22.5	4
↓ -3034	↓ -03	12.5	17.5	3
10-63-3024	5199-02	7.5	12.5	2
EDP.NO.	ENG.NO.	B	(A)	極数 CKT.

EC NO. DRWN: CHK: APPR:	EC NO. DRWN: CHK: APPR:	EC NO. DRWN: CHK: APPR:	EC NO. DRWN: CHK: APPR:	REDRAWN EC NO. JC2000-0629 DRWN: K.KOHAMA CHK: T.YAMAGUCHI APPR: M.FUKUSHIMA	MATERIAL 材料 NYLON66, 94V-2	GENERAL TOLERANCES: (UNLESS SPECIFIED) 一般公差	SCALE 2:1	DESIGN UNITS <input checked="" type="checkbox"/> mm <input type="checkbox"/> INCH	THIRD ANGLE PROJECTION <input type="checkbox"/> mm <input type="checkbox"/> INCH <input checked="" type="checkbox"/> mm ONLY	REVISIONS SHT REV
					FINISH 仕上げ //	10 UNDER 未満 +0.2	10 OVER 以上 +0.25	30 UNDER 未満 +0.3	30 OVER 以上 +3*	DRAWN BY & DATE K.KOHAMA 007/3/28
WIRE RANGE 適用線径範囲 //					INS. RANGE 被覆外径 //	ANGLE 角度 +3*	CAD FILENAME S5199.S01	MATERIAL NO. 5199-**	DRAWING NO. SD-5199-N	SHEET NO. 1
THIS DRAWING CONTAINS INFORMATION THAT IS PROPRIETARY TO MOLEX INCORPORATED AND SHOULD NOT BE USED WITHOUT WRITTEN PERMISSION.										SIZE B