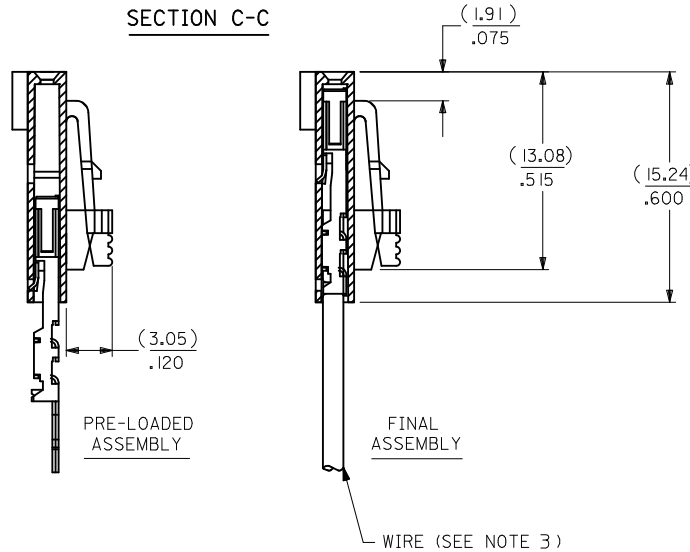
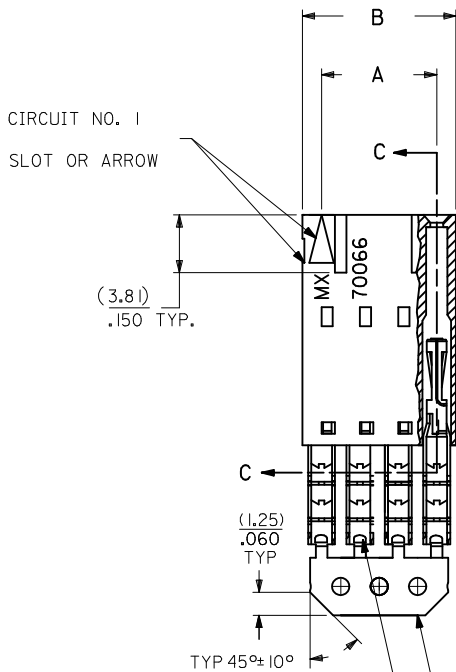
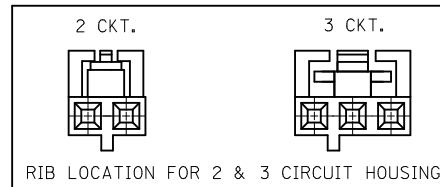
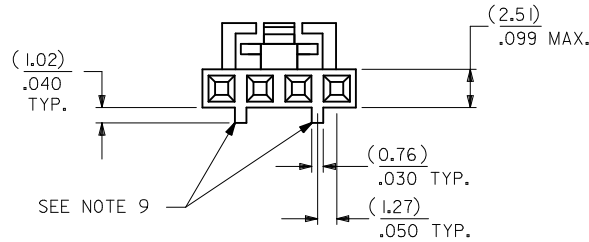


# OPTION G

- NOTES:
- MATERIAL:  
HOUSING: POLYESTER(PBT), GLASS FILLED, UL94 V-0;  
COLOR: BLACK  
TERMINAL: PHOSPHOR BRONZE
  - FINISH:  
TIN: 3.81 MICROMETERS/150 MICROINCHES MINIMUM TIN  
OVER NICKEL UNDERPLATE OVERALL
  - TO BE USED WITH 22 AWG STRANDED WIRE WITH (1.35)/.053 DIAMETER MAXIMUM INSULATION
  - SEE TABLE FOR AVAILABLE CIRCUIT SIZES
  - STANDARD PACKAGING PER PK-70873-0001. OPTIONAL PACKAGING MAY BE AVAILABLE. REQUEST DRAWING PK-70400
  - PARTS STACKABLE END TO END ON (2.54)/.100 CENTERS
  - PRODUCT SPECIFICATION: PS-70400
  - SEE DRAWING SDA-70400-\*\*\*\* (SHEET 3) FOR OPTIONAL HOUSING DETAILS
  - 4 CIRCUIT SHOWN. 3-25 CIRCUITS HAVE 2 RIBS
  - TO MATE WITH MOLEX PART NUMBERS: A-70373-\*\*\*\*, A-70375-\*\*\*\*, A-70389-\*\*\*\*, A-70391-\*\*\*\*, A-70107-\*\*\*\*, A-70018-\*\*\*\*, A-70543-\*\*\*\*, A-70553-\*\*\*\*, A-70541-\*\*\*\*, A-70551-\*\*\*\*, A-70545-\*\*\*\*, A-70555-\*\*\*\*
  - 2 CIRCUIT ASSEMBLIES SUPPLIED AS GROUPED PAIRS

| CKT. SIZE | A                  | B                  | EDP. NO.   |
|-----------|--------------------|--------------------|------------|
| 2         | ( 2.54 )<br>.100   | ( 5.05 )<br>.199   | 14-56-7022 |
| 3         | ( 5.08 )<br>.200   | ( 7.59 )<br>.299   | 14-56-7032 |
| 4         | ( 7.62 )<br>.300   | ( 10.13 )<br>.399  | 14-56-7042 |
| 5         | ( 10.16 )<br>.400  | ( 12.67 )<br>.499  | 14-56-7052 |
| 6         | ( 12.70 )<br>.500  | ( 15.21 )<br>.599  | 14-56-7062 |
| 7         | ( 15.24 )<br>.600  | ( 17.75 )<br>.699  | 14-56-7072 |
| 8         | ( 17.78 )<br>.700  | ( 20.29 )<br>.799  | 14-56-7082 |
| 9         | ( 20.32 )<br>.800  | ( 22.83 )<br>.899  | 14-56-7092 |
| 10        | ( 22.86 )<br>.900  | ( 25.37 )<br>.999  | 14-56-7102 |
| 11        | ( 25.54 )<br>1.000 | ( 27.91 )<br>1.099 | 14-56-7112 |
| 12        | ( 27.94 )<br>1.100 | ( 30.45 )<br>1.199 | 14-56-7122 |
| 13        | ( 30.48 )<br>1.200 | ( 32.99 )<br>1.299 | 14-56-7132 |
| 14        | ( 33.02 )<br>1.300 | ( 35.53 )<br>1.399 | 14-56-7142 |
| 15        | ( 35.56 )<br>1.400 | ( 38.07 )<br>1.499 | 14-56-7152 |
| 16        | ( 38.01 )<br>1.500 | ( 40.61 )<br>1.599 | 14-56-7162 |
| 17        | ( 40.64 )<br>1.600 | ( 43.15 )<br>1.699 | 14-56-7172 |
| 18        | ( 43.18 )<br>1.700 | ( 45.69 )<br>1.799 | 14-56-7182 |
| 19        | ( 45.72 )<br>1.800 | ( 48.23 )<br>1.899 | 14-56-7192 |
| 20        | ( 48.26 )<br>1.900 | ( 50.77 )<br>1.999 | 14-56-7202 |
| 21        | ( 50.80 )<br>2.000 | ( 53.31 )<br>2.099 | 14-56-7212 |
| 22        | ( 53.34 )<br>2.100 | ( 55.85 )<br>2.199 | 14-56-7222 |
| 23        | ( 55.88 )<br>2.200 | ( 58.39 )<br>2.299 | 14-56-7232 |
| 24        | ( 58.42 )<br>2.300 | ( 60.93 )<br>2.399 | 14-56-7242 |
| 25        | ( 60.96 )<br>2.400 | ( 63.47 )<br>2.499 | 14-56-7252 |



| I.D. SLOT CODE TO WIRE GAUGE CHART |            |
|------------------------------------|------------|
| I.D. SLOT CODE                     | WIRE GAUGE |
| D                                  | 22 AWG.    |

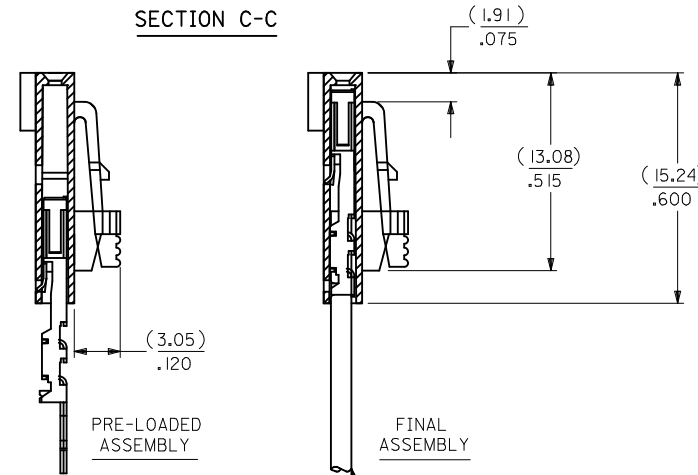
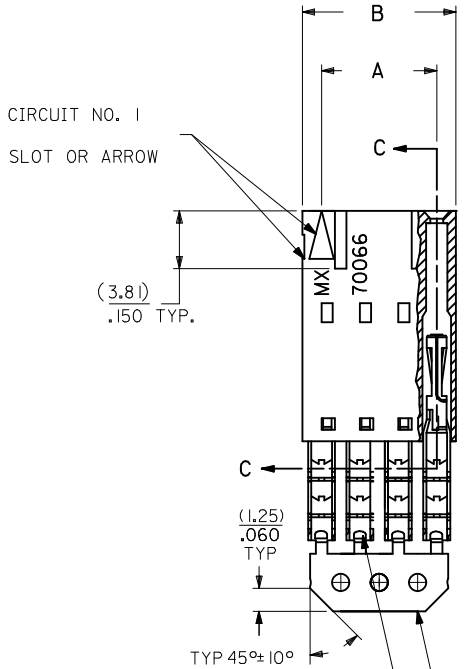
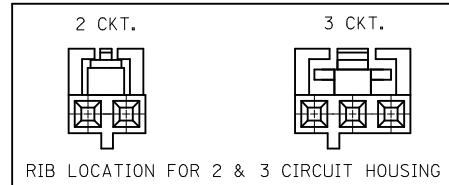
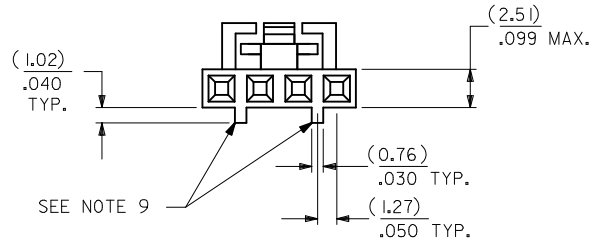
| PLATING CODE (STRIPE ON CARRIER STRIP) |       |
|--|-------|
| PLATING                                | COLOR |
| TIN                                    | NONE  |

|   |                                      |   |  |   |                           |                        |
|---|--------------------------------------|---|--|---|---------------------------|------------------------|
| REMOVE ENG NO.<br>EC NO: UCP2011-110<br>DRWN:MSIBARRA 2010/10/19<br>CHKD:JORGAN 2010/10/19<br>APPR:SMILLER 2010/11/24 | QUALITY SYMBOLS<br>▽=0<br>▽=0<br>▽=0 | GENERAL TOLERANCES (UNLESS SPECIFIED)   | DIMENSION STYLE<br>MM/IN   | SCALE   | DESIGN UNITS<br>INCH      | THIRD ANGLE PROJECTION |
|   |                                      | 4 PLACES ± --- ± ---<br>3 PLACES ± --- ± .010<br>2 PLACES ± 0.25 ± .014<br>1 PLACE ± 0.35 ± ---<br>ANGULAR ± 1/2°             | DRAWN BY<br>MSIBARRA 2010/10/20<br>CHECKED BY<br>WAZ 1987/10/26<br>APPROVED BY<br>SMILLER 2010/11/24 | TITLE<br>ASSEMBLY, SL CONNECTOR<br>SINGLE ROW<br>2.54/.100 GRID | MATERIAL NO.<br>SEE TABLE |                        |
| DRAFT WHERE APPLICABLE MUST REMAIN WITHIN DIMENSIONS  |                                      | THIS DRAWING CONTAINS INFORMATION THAT IS PROPRIETARY TO MOLEX INCORPORATED AND SHOULD NOT BE USED WITHOUT WRITTEN PERMISSION |  |   |                           |                        |

# OPTION G

- NOTES:
- MATERIAL:  
HOUSING: POLYESTER(PBT), GLASS FILLED, UL94 V-0;  
COLOR: BLACK  
TERMINAL: PHOSPHOR BRONZE
  - FINISH:  
TIN: 3.81 MICROMETERS/150 MICROINCHES MINIMUM TIN  
OVER NICKEL UNDERPLATE OVERALL
  - TO BE USED WITH 22 AWG STRANDED WIRE WITH (1.35)/.053  
DIAMETER MAXIMUM INSULATION
  - SEE TABLE FOR AVAILABLE CIRCUIT SIZES
  - STANDARD PACKAGING PER PK-70873-0001. OPTIONAL PACKAGING  
MAY BE AVAILABLE. REQUEST DRAWING PK-70400
  - PARTS STACKABLE END TO END ON (2.54)/.100 CENTERS
  - PRODUCT SPECIFICATION: PS-70400
  - SEE DRAWING SDA-70400-\*\*\*\* (SHEET 3) FOR OPTIONAL  
HOUSING DETAILS
  - 4 CIRCUIT SHOWN. 3-25 CIRCUITS HAVE 2 RIBS
  - TO MATE WITH MOLEX PART NUMBERS: A-70373-\*\*\*\*,  
A-70375-\*\*\*\*, A-70389-\*\*\*\*, A-70391-\*\*\*\*,  
A-70107-\*\*\*\*, A-70018-\*\*\*\*, A-70543-\*\*\*\*,  
A-70553-\*\*\*\*, A-70541-\*\*\*\*, A-70551-\*\*\*\*,  
A-70545-\*\*\*\*, A-70555-\*\*\*\*
  - 2 CIRCUIT ASSEMBLIES SUPPLIED AS GROUPED PAIRS

| CKT. SIZE | A                  | B                  | EDP. NO.   |
|-----------|--------------------|--------------------|------------|
| 2         | ( 2.54 )<br>.100   | ( 5.05 )<br>.199   | 14-56-7022 |
| 3         | ( 5.08 )<br>.200   | ( 7.59 )<br>.299   | 14-56-7032 |
| 4         | ( 7.62 )<br>.300   | ( 10.13 )<br>.399  | 14-56-7042 |
| 5         | ( 10.16 )<br>.400  | ( 12.67 )<br>.499  | 14-56-7052 |
| 6         | ( 12.70 )<br>.500  | ( 15.21 )<br>.599  | 14-56-7062 |
| 7         | ( 15.24 )<br>.600  | ( 17.75 )<br>.699  | 14-56-7072 |
| 8         | ( 17.78 )<br>.700  | ( 20.29 )<br>.799  | 14-56-7082 |
| 9         | ( 20.32 )<br>.800  | ( 22.83 )<br>.899  | 14-56-7092 |
| 10        | ( 22.86 )<br>.900  | ( 25.37 )<br>.999  | 14-56-7102 |
| 11        | ( 25.54 )<br>1.000 | ( 27.91 )<br>1.099 | 14-56-7112 |
| 12        | ( 27.94 )<br>1.100 | ( 30.45 )<br>1.199 | 14-56-7122 |
| 13        | ( 30.48 )<br>1.200 | ( 32.99 )<br>1.299 | 14-56-7132 |
| 14        | ( 33.02 )<br>1.300 | ( 35.53 )<br>1.399 | 14-56-7142 |
| 15        | ( 35.56 )<br>1.400 | ( 38.07 )<br>1.499 | 14-56-7152 |
| 16        | ( 38.01 )<br>1.500 | ( 40.61 )<br>1.599 | 14-56-7162 |
| 17        | ( 40.64 )<br>1.600 | ( 43.15 )<br>1.699 | 14-56-7172 |
| 18        | ( 43.18 )<br>1.700 | ( 45.69 )<br>1.799 | 14-56-7182 |
| 19        | ( 45.72 )<br>1.800 | ( 48.23 )<br>1.899 | 14-56-7192 |
| 20        | ( 48.26 )<br>1.900 | ( 50.77 )<br>1.999 | 14-56-7202 |
| 21        | ( 50.80 )<br>2.000 | ( 53.31 )<br>2.099 | 14-56-7212 |
| 22        | ( 53.34 )<br>2.100 | ( 55.85 )<br>2.199 | 14-56-7222 |
| 23        | ( 55.88 )<br>2.200 | ( 58.39 )<br>2.299 | 14-56-7232 |
| 24        | ( 58.42 )<br>2.300 | ( 60.93 )<br>2.399 | 14-56-7242 |
| 25        | ( 60.96 )<br>2.400 | ( 63.47 )<br>2.499 | 14-56-7252 |



| I.D. SLOT CODE TO WIRE GAUGE CHART |            |
|------------------------------------|------------|
| I.D. SLOT CODE                     | WIRE GAUGE |
| D                                  | 22 AWG.    |

| PLATING CODE (STRIPE ON CARRIER STRIP) |       |
|--|-------|
| PLATING                                | COLOR |
| TIN                                    | NONE  |

|   |                                      |  |  |   |                           |                        |
|---|--------------------------------------|--|--|---|---------------------------|------------------------|
| REMOVE ENG NO.<br>EC NO: UCP2011-110<br>DRWN:MSIBARRA 2010/10/19<br>CHKD:JORGAN 2010/10/19<br>APPR:SMILLER 2010/11/24 | QUALITY SYMBOLS<br>▽=0<br>▽=0<br>▽=0 | GENERAL TOLERANCES (UNLESS SPECIFIED)  | DIMENSION STYLE<br>MM/IN   | SCALE   | DESIGN UNITS<br>INCH      | THIRD ANGLE PROJECTION |
|   |                                      | 4 PLACES ± --- ± ---<br>3 PLACES ± --- ± .010<br>2 PLACES ± 0.25 ± .014<br>1 PLACE ± 0.35 ± ---<br>ANGULAR ± 1/2°                | DRAWN BY<br>MSIBARRA 2010/10/20<br>CHECKED BY<br>WAZ 1987/10/26<br>APPROVED BY<br>SMILLER 2010/11/24 | TITLE<br>ASSEMBLY, SL CONNECTOR<br>SINGLE ROW<br>2.54/.100 GRID | MATERIAL NO.<br>SEE TABLE |                        |
| DRAFT WHERE APPLICABLE<br>MUST REMAIN<br>WITHIN DIMENSIONS  |                                      | THIS DRAWING CONTAINS INFORMATION THAT IS PROPRIETARY TO MOLEX<br>INCORPORATED AND SHOULD NOT BE USED WITHOUT WRITTEN PERMISSION |  |   |                           |                        |