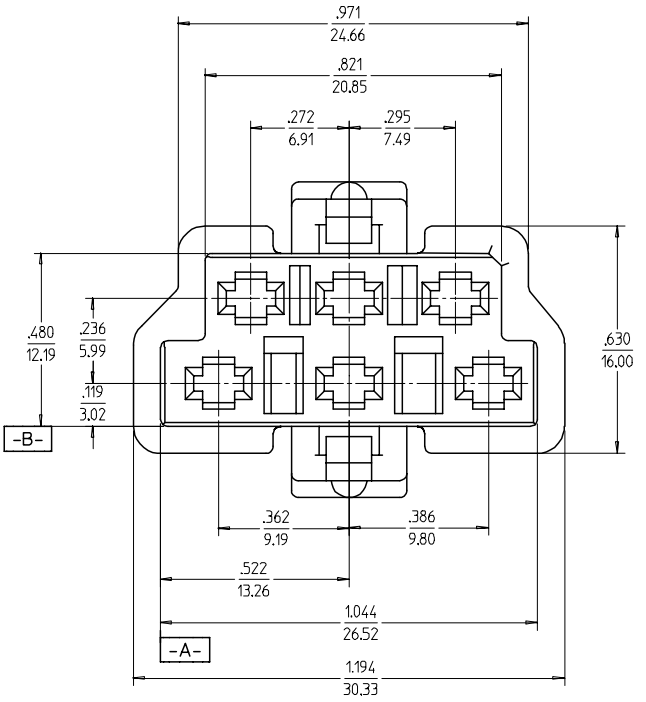
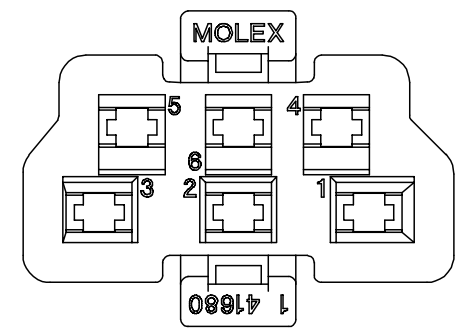
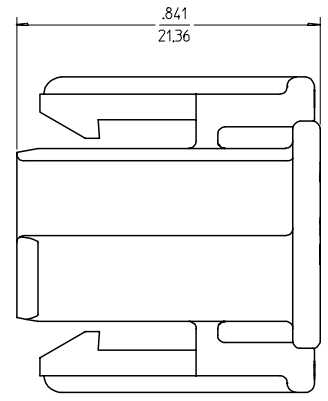
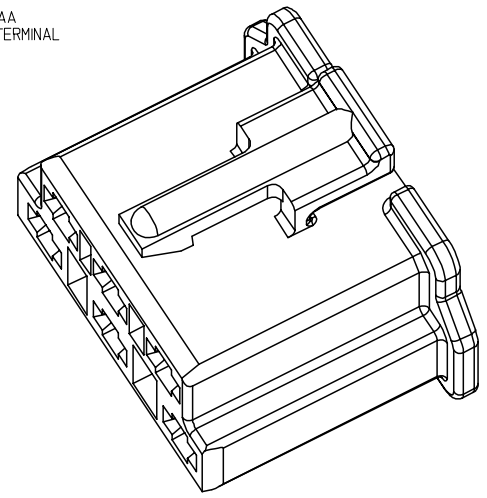
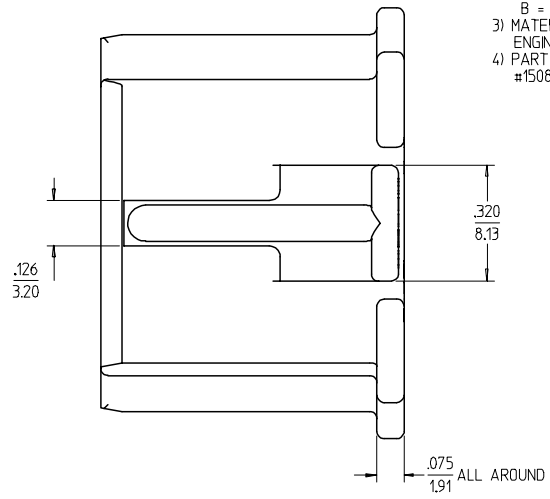
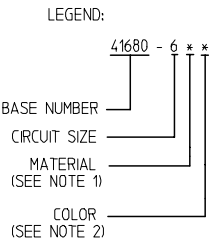


PART NUMBER	ENG. NUMBER	MATERIAL (SEE NOTE 1)	FINISH (SEE NOTE 2)
15-04-0802	41680-6AA	A	A
NOT TOOLED	41680-6AB	A	B
NOT TOOLED	41680-6BA	B	A
NOT TOOLED	41680-6BB	B	B

- NOTES:
- MATERIAL:  
A = PA66, UL 94V-2, COLOR-TRANSLUCENT WHITE  
B = PA66, UL 94V-0, COLOR-OPAQUE WHITE
  - FINISH:  
A = NATURAL COLOR  
B = BLUE (DYED)
  - MATERIAL NUMBER = 015040802  
ENGINEERING NUMBER = 41680-6AA
  - PART IS FOR USE WITH MOLEX TERMINAL #1508-5 AND 1508-6.



REDRAWN/ADD FLANGE EC NO: WCP2003-06885 DRWN:MKAMARA003/02/26 CHKD:MKAMARA003/02/26 APPR:BWIRKUS 2003/02/27	QUALITY SYMBOLS	GENERAL TOLERANCES (UNLESS SPECIFIED)	SCALE 4:1	DESIGN UNITS INCH	THIRD ANGLE PROJECTION	REVISE ON CAD ONLY															
	▽ - 0 ◻ - 0	<table border="1"> <thead> <tr> <th></th> <th>mm</th> <th>INCH</th> </tr> </thead> <tbody> <tr> <td>4 PLACES</td> <td>± ---</td> <td>± ---</td> </tr> <tr> <td>3 PLACES</td> <td>± ---</td> <td>± .010</td> </tr> <tr> <td>2 PLACES</td> <td>± 0.25</td> <td>± .015</td> </tr> <tr> <td>1 PLACE</td> <td>± 0.38</td> <td>± ---</td> </tr> </tbody> </table>		mm	INCH	4 PLACES	± ---	± ---	3 PLACES	± ---	± .010	2 PLACES	± 0.25	± .015	1 PLACE	± 0.38	± ---	DIMENSION STYLE IN/MM	TITLE	TEMPERATURE SWITCH CONNECTOR HOUSING	
		mm	INCH																		
	4 PLACES	± ---	± ---																		
3 PLACES	± ---	± .010																			
2 PLACES	± 0.25	± .015																			
1 PLACE	± 0.38	± ---																			
DRAFT WHERE APPLICABLE MUST REMAIN WITHIN DIMENSIONS	DRAWN BY RJF CHECKED BY JTR APPROVED BY RAS	DATE 8/22/88 DATE 8/22/88 DATE 8/22/88	MOLEX INCORPORATED SEE CHART SD-41680-6**	SHEET NO. 1 OF 1																	
		THIS DRAWING CONTAINS INFORMATION THAT IS PROPRIETARY TO MOLEX INCORPORATED AND SHOULD NOT BE USED WITHOUT WRITTEN PERMISSION																			