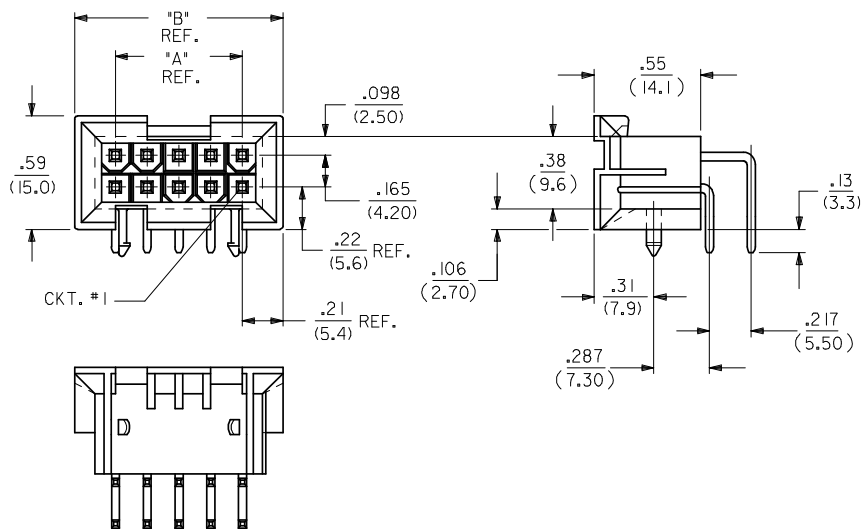


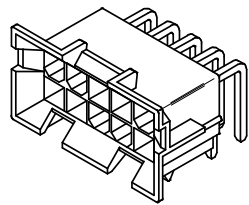
CIRCUIT SIZE	DIM. "A"	DIM. "B"
6	.331 (8.40)	.76 (19.2)
8	.496 (12.60)	.92 (23.4)
10	.661 (16.80)	1.09 (27.6)
12	.827 (21.00)	1.25 (31.8)
14	.992 (25.20)	1.42 (36.0)
16	1.157 (29.40)	1.58 (40.2)
18	1.323 (33.60)	1.75 (44.4)
20	1.488 (37.80)	1.91 (48.6)
22	1.654 (42.00)	2.08 (52.8)
24	1.819 (46.20)	2.24 (57.0)



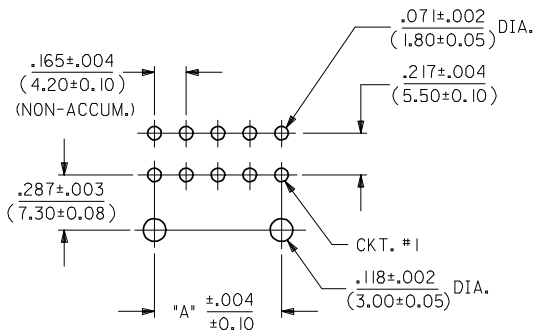
NOTES:

- MATERIAL: HOUSING: "A" = NYLON 6/6, U.L. 94V-2, COLOR: NATURAL. "B" = NYLON 6/6, U.L. 94V-0, COLOR: NATURAL. TERMINAL: BRASS ALLOY 260.
- TERMINAL PLATING:
 - .000100/(.00254) MIN. BRIGHT TIN OVER .000050/(.00127) MIN. NICKEL OVERALL.
 - .000030/(.00076) MIN. GOLD OVER .000050/(.00127) MIN. NICKEL OVERALL.
 - *.000100/(.00254) MIN. MATTE TIN OVER .000050/(.00127) MIN. NICKEL OVERALL.
 - .000050/(.00127) MIN. GOLD OVER .000050/(.00127) MIN. NICKEL OVERALL.
 - .000030/(.00076) MIN. GOLD AND .000100/(.00254) MIN. MATTE TIN OVER .000050/(.00127) MIN. NICKEL OVERALL.

*THE PRIMARY SHIPPING CARTON WILL BE LABELED "COMPLIANT TO RoHS DIRECTIVE 2002/95/EC AND ELV ANNEX II OF DIRECTIVE 2000/53/EC." CARTONS WITHOUT THIS LABEL MAY CONTAIN PRODUCT WITH TIN-LEAD PLATING.
- PRODUCT SPECIFICATION AND PROCESSING PARAMETERS: SEE PS-5556-002
- PACKAGING SPECIFICATION: PK-42404-002.
- 4-24 CKT. PARTS MATE WITH MINI-FIT JR. RECEPTACLES #5557, #42385 AND #42474. 2 CKT. PART MATES WITH #42385 AND #42474 ONLY.
- PART ALLOWS FOR UP TO .100/(2.54) MISALIGNMENT WITH MATING RECEPTACLE IN ANY DIRECTION. SEE MATING CONNECTOR DRAWINGS FOR SPECIFIC ALLOWANCES.
- CONNECTOR ASSEMBLIES ARE NOT TO BE MATED OR UNMATED WHILE CIRCUITS ARE LIVE.
- A MAXIMUM TOLERANCE OF .050/(1.27) ALLOWS FOR 2 POINTS OF ELECTRICAL CONTACT. A MAXIMUM TOLERANCE OF .020/(.51) ALLOWS FOR 4 POINTS OF CONTACT.
- DISCOLORATION IN THE BANDOLIER CARRIER AREA OF THE PIN IS INHERENT TO THE PLATING PROCESS AND IS DUE TO THE MASKING EFFECT OF THE CARRIER. THIS DISCOLORATION IS IN A NON-FUNCTIONAL AREA OF THE PIN AND WILL NOT AFFECT THE PERFORMANCE OF THE HEADER ASSEMBLY.
- PART IS NOT DESIGNED FOR CURRENT SHARING.
- PART IS NOT INTENDED TO PROVIDE ANY ALIGNMENT OF CUSTOMER COMPONENTS OR MODULES, SUCH AS POWER SUPPLIES AND CHASSIS.
- PARTS CONFORM TO CLASS "B" REQUIREMENTS OF COSMETIC SPECIFICATION PS-45499-002.*



A-42404-****



RECOMMENDED HOLE LAYOUT FOR .070/(1.78) MAX. THICK P.C. BOARD VIEWED FROM COMPONENT SIDE

LEGEND:

BASE NUMBER: A-42404-****

CKT. SIZE: (02-24)

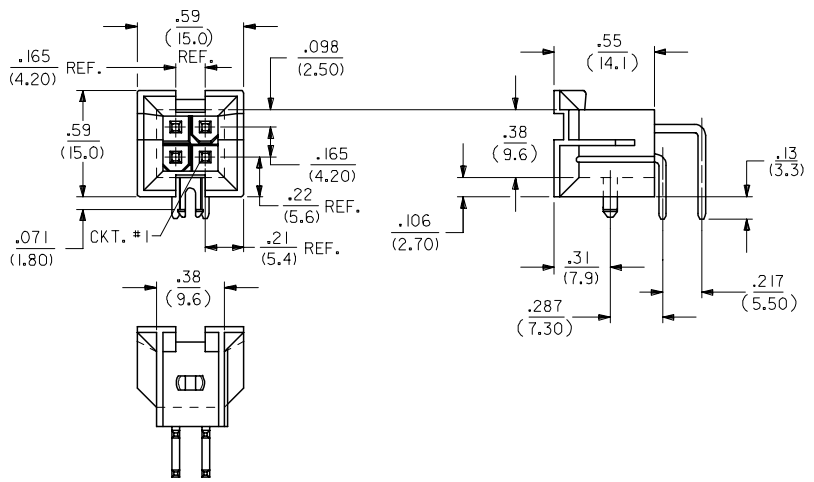
HOUSING MAT'L: (SEE NOTE 1)

TERMINAL PLATING: (SEE NOTE 2)

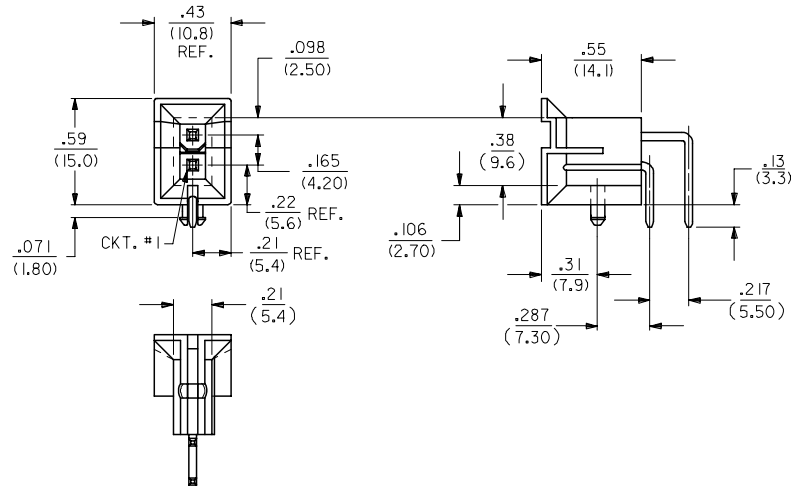
Part No.	Part Description	Part No.	Part Description	Material	Plating
---B2, ---B4	42474-***2I, 5556-PBGS*P	94V-0	PHOS. BRZ.	GOLD	
---A2, ---A4	42474-***1I, 5556-PBGS*P	94V-2			
---B1, ---B3	42474-***2I, 5556-PBS*P	94V-0	PHOS. BRZ.	TIN	
---A1, ---A3	42474-***1I, 5556-PBS*P	94V-2			
---B2, ---B4	42474-***2I, 5556-GS*P	94V-0	BRASS	GOLD	
---A2, ---A4	42474-***1I, 5556-GS*P	94V-2			
---B1, ---B3	42474-***2I, 5556-S*P	94V-0	BRASS	TIN	
---A1, ---A3	42474-***1I, 5556-S*P	94V-2			
---B2, ---B4	A-42385-***D2	94V-0	PHOS. BRZ.	GOLD	
---A2, ---A4	A-42385-***C2	94V-2			
---B1, ---B3	A-42385-***D1	94V-0	PHOS. BRZ.	TIN	
---A1, ---A3	A-42385-***C1	94V-2			
---B2, ---B4	A-42385-***B2	94V-0	BRASS	GOLD	
---A2, ---A4	A-42385-***A2	94V-2			
---B1, ---B3	A-42385-***B1	94V-0	BRASS	TIN	
---A1, ---A3	A-42385-***A1	94V-2			

Part No.	Part Description	Part No.	Part Description	Material	Plating
R.A. HEADER A-42404	MATING CONNECTOR	HSG. MAT'L.	TERM. MAT'L.	PLATING	
MATING CONNECTOR FEATURES					

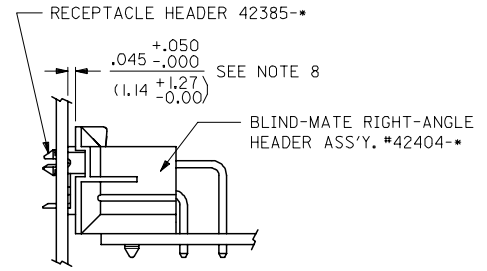
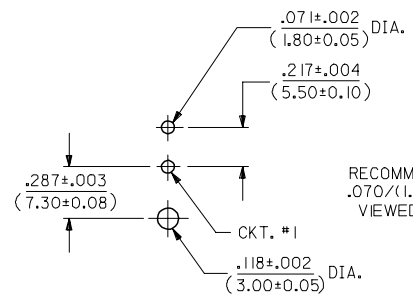
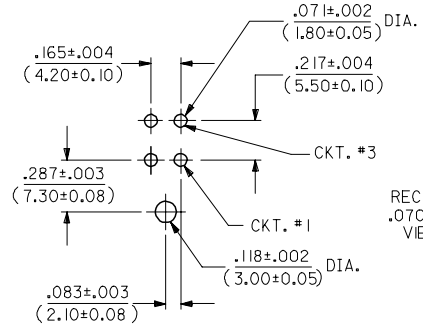
REVISE NOTES EC NO: UCP2008-3019 DRWING: GVERILL 2008/08/21 CHKD: JEBEL 2008/08/22 APPR: FSM/TH 2008/08/22 R1	QUALITY SYMBOLS ▽=0 ▽=0	GENERAL TOLERANCES (UNLESS SPECIFIED)		DIMENSION STYLE IN/MM		SCALE 2:1	DESIGN UNITS METRIC	THIRD ANGLE PROJECTION	
		mm INCH		DRAWN BY RWK	DATE 2/7/89	TITLE MINI-FIT JR. 2-24 CKT RIGHT ANGLE HEADER ASSY (BLIND MATE)			
		4 PLACES ± --- ± --- 3 PLACES ± --- ± .010 2 PLACES ± 0.25 ± .015 1 PLACE ± 0.38 ± ---		CHECKED BY RJF	DATE 2/7/89	MOLEX MOLEX INCORPORATED			
		ANGULAR ± 1/2°		APPROVED BY RAS	DATE 2/7/89	MATERIAL NO. SEE SHTS 3&4 DOCUMENT NO. SDA-42404-**** SHEET NO. 1 OF 4			
DRAFT WHERE APPLICABLE MUST REMAIN WITHIN DIMENSIONS						THIS DRAWING CONTAINS INFORMATION THAT IS PROPRIETARY TO MOLEX INCORPORATED AND SHOULD NOT BE USED WITHOUT WRITTEN PERMISSION			



A-42404-04**

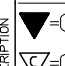



A-42404-02**



SEE SHEET 1 FC NO: UCP2006-1780 DRW:ADRAINOL 2006/02/03 CHKD:GPOLGAR 2006/02/03 APPR:ICOMERCJ 2006/02/06 REV:	QUALITY SYMBOLS ▽=0 ▽=0	GENERAL TOLERANCES (UNLESS SPECIFIED) 4 PLACES ± --- ± --- 3 PLACES ± --- ± .01 2 PLACES ± 0.25 ± .015 1 PLACE ± 0.38 ± --- ANGULAR ±1/2°	DIMENSION STYLE IN/MM	SCALE 2:1 DESIGN UNITS METRIC THIRD ANGLE PROJECTION	
	DRAWN BY RWK CHECKED BY RJF APPROVED BY RAS	DATE 1989/02/07 DATE 1989/02/07 DATE 1989/02/07	MATERIAL NO. DOCUMENT NO.	TITLE MINI-FIT JR. 2-24 CKT RIGHT ANGLE HEADER ASSY (BLIND MATE)	SHEET NO. 2 OF 4
	DRAFT WHERE APPLICABLE MUST REMAIN WITHIN DIMENSIONS	SEE SHTS 3&4	MOLEX INCORPORATED	SDA-42404-****	THIS DRAWING CONTAINS INFORMATION THAT IS PROPRIETARY TO MOLEX INCORPORATED AND SHOULD NOT BE USED WITHOUT WRITTEN PERMISSION
	MOLEX INCORPORATED				

J	I	H	G	F	E	D	C	F		10	9	8	7	6	5	4	3	2	1
								PLATING (NOTE 5)	HOUSING MATERIAL										
			NOT TOOLED	A-42404-02A5	02	94V-2	SELECT GOLD OVER NICKEL												
			15-24-9047	A-42404-04A5	04	94V-0	SELECT GOLD OVER NICKEL												
			15-24-9067	A-42404-06A5	06														
			NOT TOOLED	A-42404-08A5	08														
			15-24-9107	A-42404-10A5	10														
			NOT TOOLED	A-42404-12A5	12														
			15-24-9147	A-42404-14A5	14														
			NOT TOOLED	A-42404-16A5	16														
			15-24-9187	A-42404-18A5	18														
			NOT TOOLED	A-42404-20A5	20														
			NOT TOOLED	A-42404-22A5	22														
			15-24-9247	A-42404-24A5	24	94V-2	SELECT GOLD OVER NICKEL												
					02														
					04														
					06														
					08														
					10														
					12														
					14														
					16														
					18														
					20														
					22														
					24														

SEE SHEET 1 FC NO: UCP2006-1780 DRAWN: AD RATNOL 2006/02/03 CHK'D: GPOLGAR 2006/02/03 APPR: JCOMERC I 2006/02/06 REVISIONS:	QUALITY SYMBOLS 	GENERAL TOLERANCES (UNLESS SPECIFIED)		DIMENSION STYLE IN/MM		SCALE ---	DESIGN UNITS METRIC	 THIRD ANGLE PROJECTION	
		4 PLACES \pm ---	INCH	DRAWN BY AD RATNOL	DATE 2006/02/03	TITLE MINI-FIT JR. 2-24 CKT RIGHT ANGLE HEADER ASSY (BLIND MATE)			
		3 PLACES \pm ---	mm	CHECKED BY GPOLGAR	DATE 2006/02/01	MOLEX INCORPORATED			
		2 PLACES \pm ---		APPROVED BY JCOMERC I	DATE 2006/02/01	DOCUMENT NO. SDA-42404-****			
		1 PLACE \pm ---	ANGULAR $\pm 1/2^\circ$	MATERIAL NO.		SHEET NO. 4 OF 4			