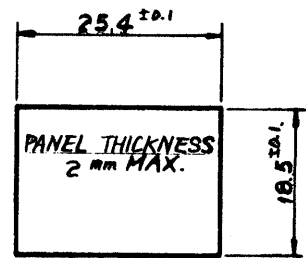
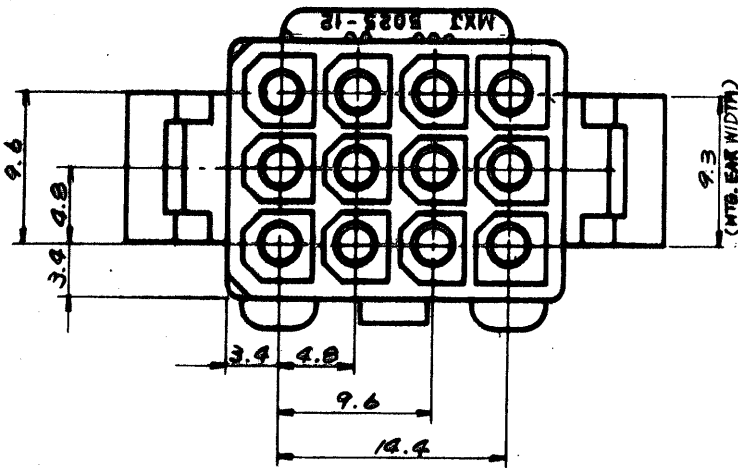
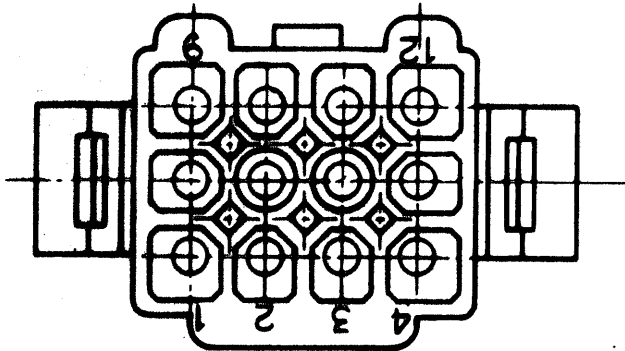
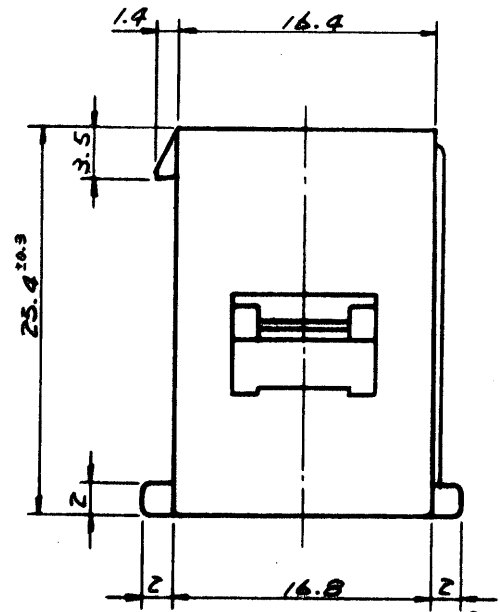
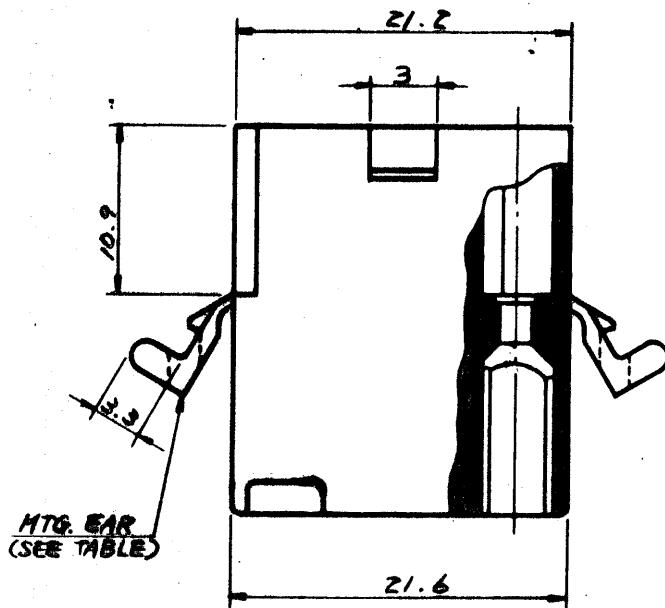


F
E
D
C
B
A



MOUNTING HOLE DETAIL (SCALE 1:1)



| GENERAL TOLERANCES | |
|--------------------|-------|
| 10 UNDER | ±0.2 |
| 10 OVER 30 UNDER | ±0.25 |
| 30 OVER | ±0.3 |
| ANGLE | ±3° |

| | | |
|---------|-----------|----------|
| | 5025-12P1 | NO |
| | 5025-12P | YES |
| EPP NO. | ENG. NO. | MTG. EAR |

| | | | | |
|-----------|-------------------------|---------|------|--|
| | | | | |
| D | ADDED -12P1 ECN NO. 917 | 9/5/77 | Y | |
| C | REMOVED "X" ECN NO. 740 | 7/8/70 | Y | |
| B | リジ、パネノ、ホ、ウキットNO. | 12/9/77 | Y | |
| A | REVISED | 10/2/77 | Y | |
| 0 | PROPOSED | 9/5/77 | Y | |
| 記号 LTR | 変更内容 (Rev.) | Date | Name | |

公差 (Tolerances)
 .000 → ±0.005 .00 → ±0.05
 .0 → ±0.1 . → ±0.3

材料 (MAT'L)
 NYLON66, 94V-2
 熱処理 (H.T.)
 HRc —

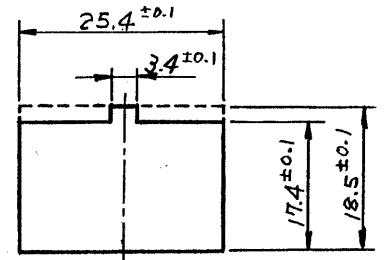
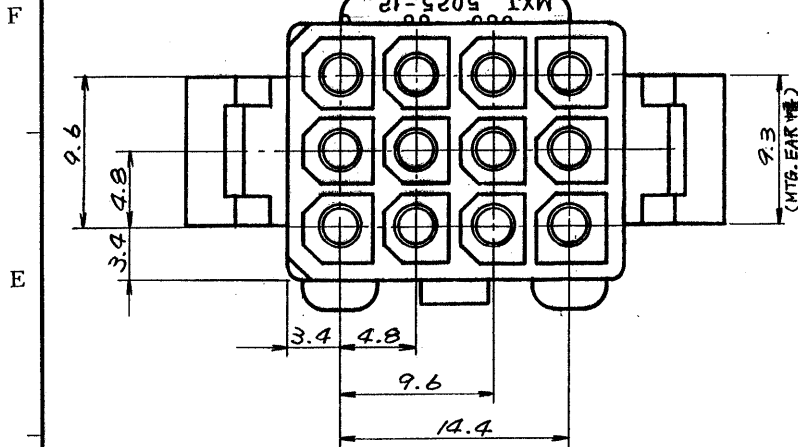
仕上げ (Finish)
 —

Scale 2/1
 名称 (Name)
 MINI. FIT CONN. 12 POS. PLUG HSG.

所要数 (Req)
 DRWG. Y. Arano 9/5/77
 DSN'D M. Endo 10/2/77
 CHK'D K. Shino
 APP'D

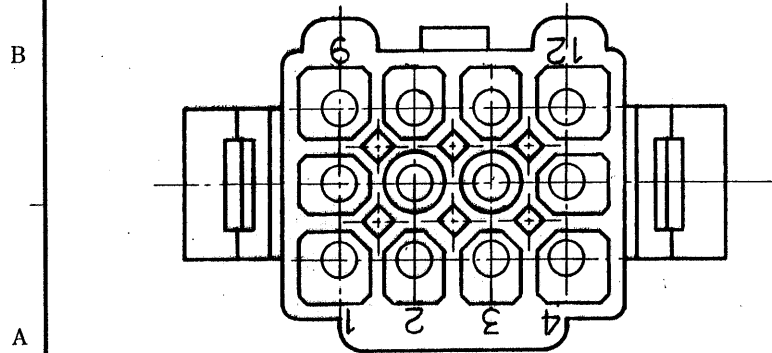
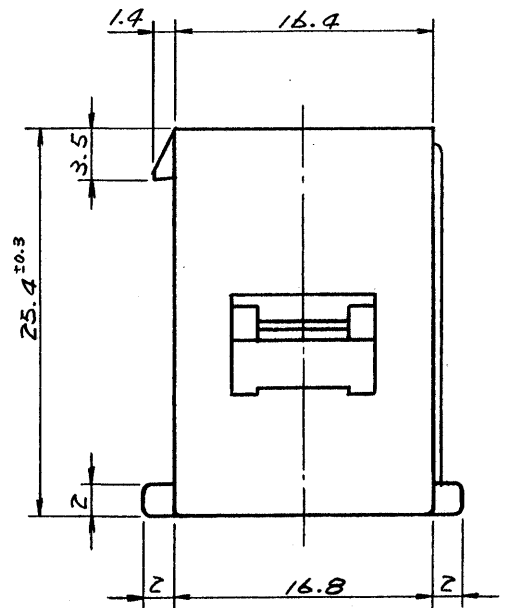
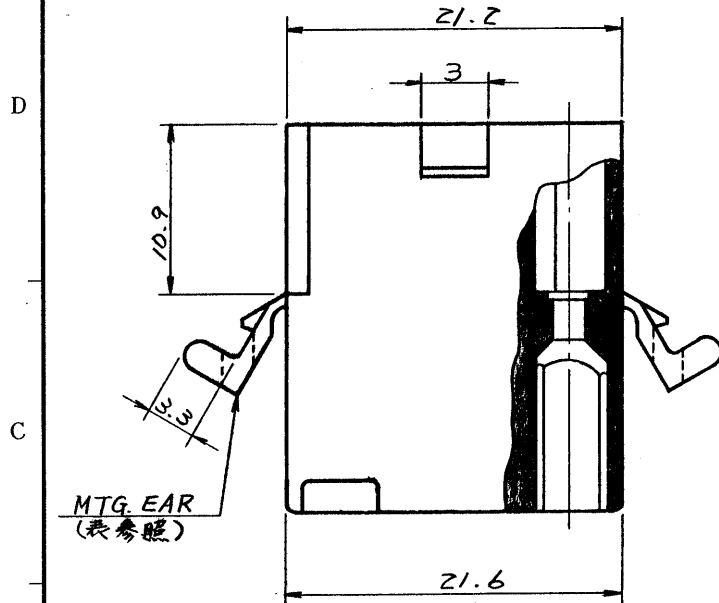
molex MOLEX-JAPAN CO., LTD.
 日本モレックス株式会社

No. SD-5025-12P* REV. d



パネル板厚 2mm MAX

パネルスロット寸法
(SCALE 1:1)



| 一般公差 | |
|----------|-------|
| 10未満 | ±0.2 |
| 10以上30未満 | ±0.25 |
| 30以上 | ±0.3 |
| 角度 | ±3° |

| 15-31-1123 | 5025-12P1 | 無 |
|------------|-----------|----------|
| 15-31-1121 | 5025-12P | 有 |
| EDP NO. | ENG. NO. | MTG. EAR |

| | | | | | | |
|----------|-------------------------------|----------|-------|--|-----------------------------------|-------------------------------|
| | | | | 公差 (Tolerances) .000 → ±0.005 .00 → ±0.05 .0 → ±0.1 . → ±0.3 | 所要数 (Req) | DRWG. <i>Y. Awano</i> 9/29/77 |
| | | | | 材料 (MAT'L) NYLON66, 94V-Z | | DSN'D <i>M. ENDO</i> 10/19/77 |
| E | REVISED ECN NO. 1499 | 1/30/79 | K.H. | 熱処理 (H.T.) HRc — # — | * molex | CHK'D <i>W. Shiraishi</i> |
| D | ADDED -12P1 ECN NO. 917 | 9/5/78 | Y. | 仕上げ (Finish) — # — | | APP'D <i>W. Shiraishi</i> |
| C | REMOVED "X" ECN NO. 748 | 3/18/78 | Y. CS | | | |
| B | リ丁, パネル取付, サキットNO. | 12/9/77 | Y. | | No. | REV. |
| A | REVISED | 10/28/77 | Y. | | SD-5025-12P * | E |
| O | PROPOSED | 9/29/77 | Y. | | | |
| 記号 (LTR) | 変更内容 (Rev.) | Date | Name | Scale 2/1 | 名称 (Name) | |
| | | | | | MINI. FIT CONN. 12 POS. PLUG HSG. | |