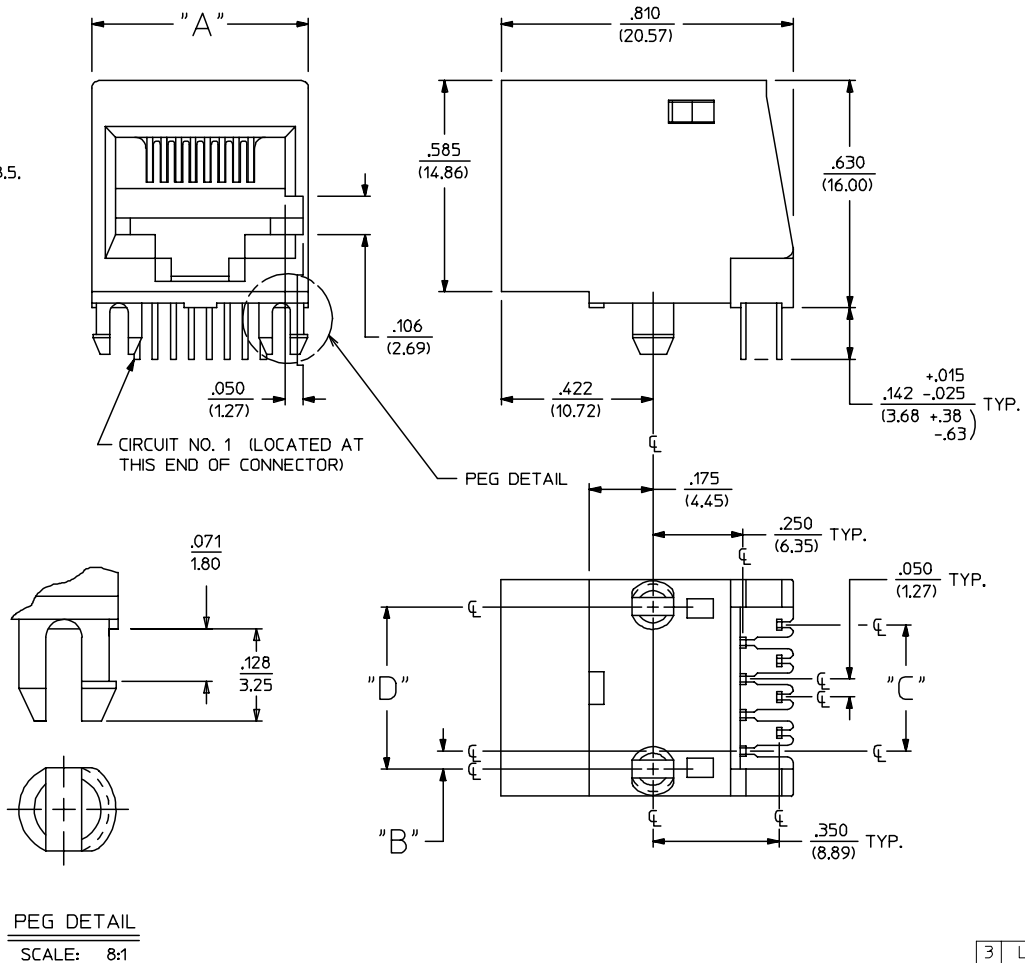


NOTES:

- 1) MATERIALS:
HOUSING: GLASS FILLED POLYESTER, UL94 V-0, COLOR: BLACK
TERMINALS: PHOSPHOR BRONZE
- 2) FINISH:
TERMINALS:
SELECT GOLD IN CONTACT AREA: 50 MICROINCHES MIN.,
*SELECT TIN IN PC TAIL AREA: 100 MICROINCHES MIN.,
WITH OVERALL NICKEL UNDERPLATE: 50 MICROINCHES MIN.,
*THE PRIMARY SHIPPING CARTON WILL BE LABELED "COMPLIANT TO RoHS DIRECTIVE 2002/95/EC AND ELV ANNEX II OF DIRECTIVE 2000/53/EC". CARTONS WITHOUT THIS LABEL MAY CONTAIN PRODUCT WITH TIN-LEAD IN THE PC TAIL AREA.
- 3) ALL JACKS MUST MEET THE REQUIREMENTS OF MOLEX SPECIFICATION #PS-41314.
- 4) PARTS ARE PACKAGED IN TRAYS.
- 5) JACKS CONFORM TO AND ACCEPT PLUGS WHICH CONFORM TO FCC REGULATIONS, PART 68.5.
- 6) JACKS ARE TO BE USED WITH .062/(1.57) THICK PRINTED CIRCUIT BOARDS.
- 7) SEE SHEET 3 FOR RECOMMENDED PANEL CUT-OUT AND BOARD LAYOUT DIMENSIONS.
- 8) HOUSING SIZES 4 AND 6 ARE NOT AVAILABLE WITH KEYING OPTION.
- 9) ALL UNTOLERANCED DIMENSIONS ARE SHOWN FOR REFERENCE ONLY.



PEG DETAIL
SCALE: 8:1

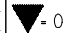
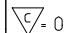
SIZE 8 MODULAR JACK HOUSING LOADED WITH 8 TERMINALS IS SHOWN ABOVE

3	L
2	L
1	L
SH	REV

B	8	2	.600 (15.24)	.200 (5.08)	.050 (1.27)	.450 (11.43)
	8	4	.600 (15.24)	.150 (3.81)	.150 (3.81)	.450 (11.43)
	8	6	.600 (15.24)	.100 (2.54)	.250 (6.35)	.450 (11.43)
A	8	8	.600 (15.24)	.050 (1.27)	.350 (8.89)	.450 (11.43)
	HOUSING SIZE	CIRCUIT SIZE	DIM. "A"	DIM. "B"	DIM. "C"	DIM. "D"

LEAD FREE PLATING EC NO: UCP2004-1331 DRW:LSCHMIDT 2004/02/23 CHKD:LSCHMIDT 2004/02/23 APPR:FSMITH 2004/02/26	QUALITY SYMBOLS	GENERAL TOLERANCES (UNLESS SPECIFIED)	SCALE 4:1	DESIGN UNITS INCH	THIRD ANGLE PROJECTION	REVISE ON CAD ONLY
	DESCRIPTION	mm	INCH	DIMENSION STYLE IN/MM		TITLE RIGHT ANGLE FLANGELESS KEYED MODULAR JACK ASSEMBLY
		4 PLACES ± --- ± ---	3 PLACES ± --- ± ---	DRAWN BY	DATE	
		2 PLACES ± --- ± ---	1 PLACE ± --- ± ---	GLT	1990/05/25	
ANGULAR ±1/2°	DRAFT WHERE APPLICABLE MUST REMAIN WITHIN DIMENSIONS		CHECKED BY	DATE	MATERIAL NO. DOCUMENT NO. SHEET NO. SEE SHEET 2 SDA-42118-***** 1 OF 3	
APPROVED BY	DATE	MATERIAL NO. DOCUMENT NO. SHEET NO. SEE SHEET 2 SDA-42118-***** 1 OF 3				
THIS DRAWING CONTAINS INFORMATION THAT IS PROPRIETARY TO MOLEX INCORPORATED AND SHOULD NOT BE USED WITHOUT WRITTEN PERMISSION						

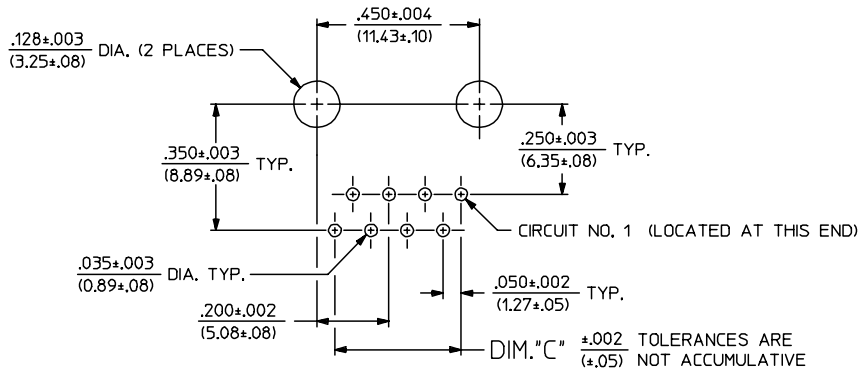
	13	12	11	10	9	8	7	6	5	4	3	2	42118
	ENGINEERING PART NUMBER	E.D.P. NUMBER	HOUSING SIZE	CIRCUIT SIZE	PACKAGING								
J	A-42118-88ABAA	015-43-8501	8	8	TRAY PACK								
	A-42118-86ABAA	015-43-8504	8	6	TRAY PACK								
	A-42118-84ABAA	015-43-8507	8	4	TRAY PACK								
	A-42118-82ABAA	015-43-8510	8	2	TRAY PACK								
I	<u>SEE SHEET 1 FOR PART DESCRIPTIONS</u>												
H													
G													
F													
E													
D													
C													
B													
A													

SEE SHEET ONE EC NO: UCP2004-1331 DRWNL: SCHMIDT 2004/02/23 CHKD: LSCHMIDT 2004/02/23 APPR: F SMITH 2004/02/26	QUALITY SYMBOLS	GENERAL TOLERANCES (UNLESS SPECIFIED)		SCALE ---	DESIGN UNITS INCH	THIRD ANGLE PROJECTION	REVISE ON CAD ONLY	
	 = 0  = 0		mm	INCH	DIMENSION STYLE IN/MM		TITLE	
		4 PLACES	± ---	± ---	DRAWN BY		DATE	
		3 PLACES	± ---	± ---	GLT		1990/05/25	
		2 PLACES	± ---	± ---	CHECKED BY		DATE	
	1 PLACE	± ---	± ---	BAP		1990/05/25		
	ANGULAR ±1/2°		DRAFT WHERE APPLICABLE MUST REMAIN WITHIN DIMENSIONS		APPROVED BY	DATE	MATERIAL NO.	
					RAS	1990/05/25	SEE CHART	
					THIS DRAWING CONTAINS INFORMATION THAT IS PROPRIETARY TO MOLEX INCORPORATED AND SHOULD NOT BE USED WITHOUT WRITTEN PERMISSION		DOCUMENT NO. SDA-42118-*****	
							SHEET NO. 2 OF 3	

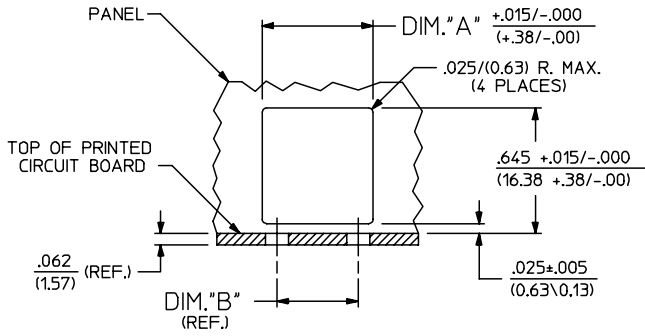
13 12 11 10 9 8 7 6 5 4 3 2 42118

ENGINEERING PART NUMBER	HOUSING SIZE	CIRCUIT SIZE	DIM. "A"	DIM. "B"	DIM. "C"
A-42118-88XXXX	8	8	.615/(15.62)	.450/(11.43)	.350/(8.89)
A-42118-86XXXX	8	6	↑	↑	.250/(6.35)
A-42118-84XXXX	8	4	↓	↓	.150/(3.81)
A-42118-82XXXX	8	2	.615/(15.62)	.450/(11.43)	.050/(1.27)

NOTES:
 1) RECOMMENDED BOARD LAYOUTS ARE SHOWN AS COMPONENT SIDE OF BOARD.
 2) HOUSING SIZES 4 AND 6 ARE NOT AVAILABLE WITH KEYING OPTION.



PC BOARD LAYOUT FOR HOUSING SIZE 8



PANEL CUT-OUT GUIDELINES

DIM. "A" MUST BE SYMMETRICAL TO DIM. "B" WITHIN .005/(0.13)

SEE SHEET ONE EC NO: UCP2004-1331 DRW'N:LSCHMIDT 2004/02/23 CHK'D:LSCHMIDT 2004/02/23 APPR:FSMITH 2004/02/26	QUALITY SYMBOLS	GENERAL TOLERANCES (UNLESS SPECIFIED)	SCALE 4:1	DESIGN UNITS INCH	THIRD ANGLE PROJECTION	REVISE ON CAD ONLY	
	DESCRIPTION ▽ = 0 ▽ = 0	mm	INCH	DIMENSION STYLE IN/MM		TITLE	
		4 PLACES ± --- ± ---	3 PLACES ± --- ± ---	DRAWN BY GLT	DATE 1990/05/25	PANEL/BOARD LAYOUTS FOR RIGHT ANGLE FLANGELESS MODULAR JACK ASSEMBLIES	
		2 PLACES ± --- ± ---	1 PLACE ± --- ± ---	CHECKED BY BAP	DATE 1990/05/25	MOLEX MOLEX INCORPORATED	
	ANGULAR ±1/2°	DRAFT WHERE APPLICABLE MUST REMAIN WITHIN DIMENSIONS	APPROVED BY RAS	DATE 1990/05/25	MATERIAL NO. SEE SHEET 2	DOCUMENT NO. SDA-42118-*****	
			THIS DRAWING CONTAINS INFORMATION THAT IS PROPRIETARY TO MOLEX INCORPORATED AND SHOULD NOT BE USED WITHOUT WRITTEN PERMISSION		SHEET NO. 3 OF 3		

12 11 10 9 8 7 6 5 4 3 2 1