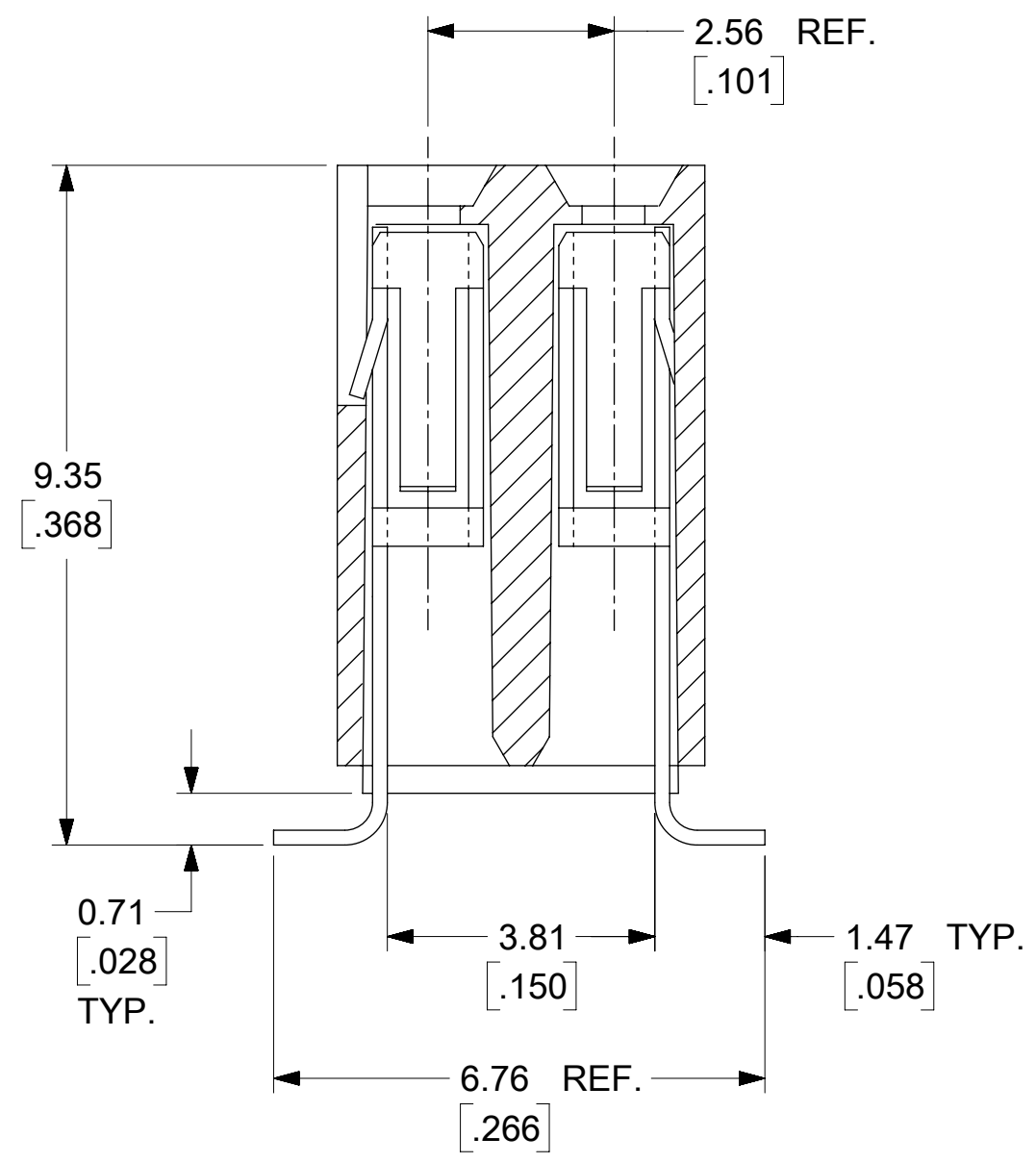
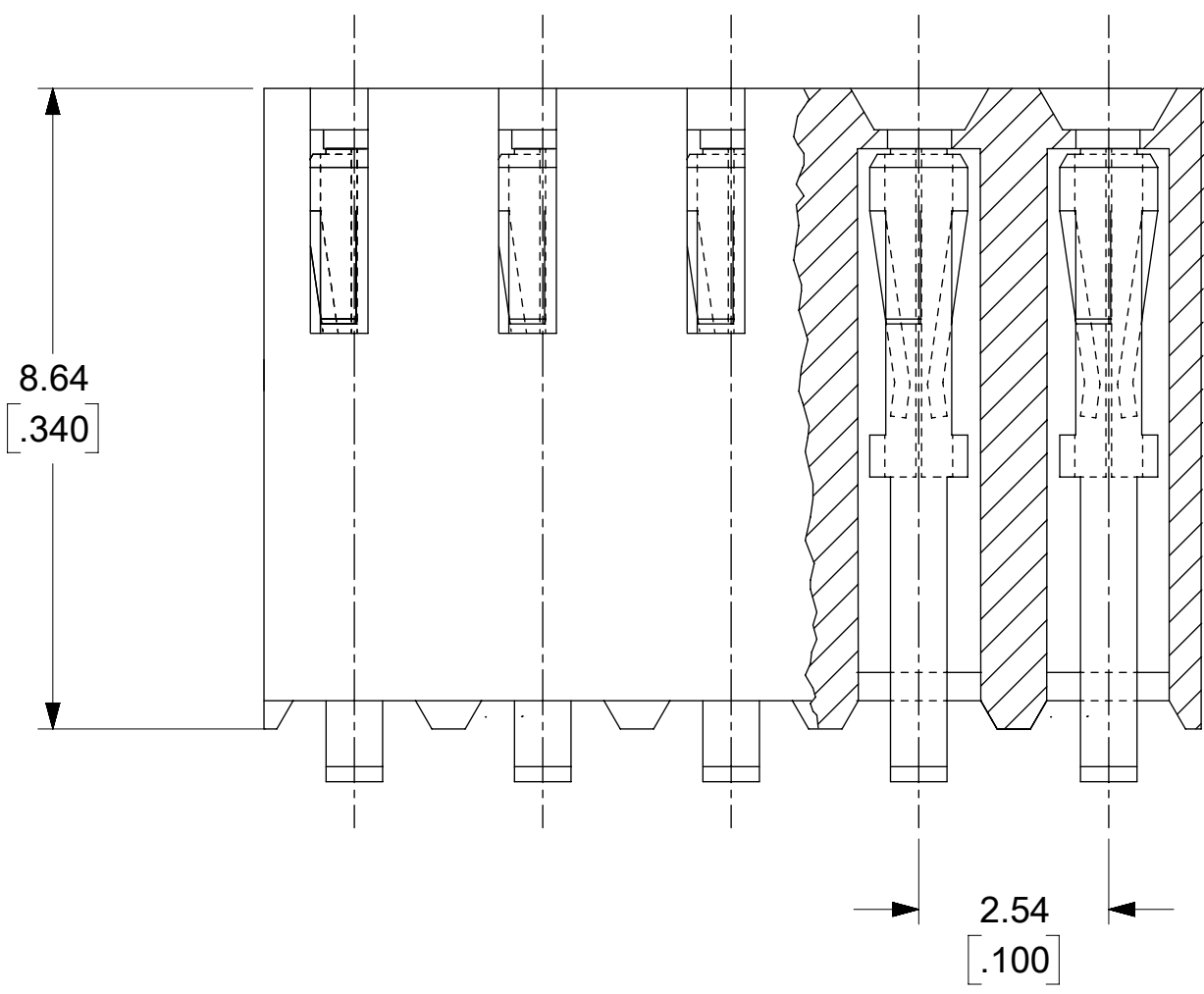


RECOMMENDED P.C. BOARD LAYOUT  
SCALE 4:1



SECTION B-B

- VERSION WITHOUT PCB RETENTION PEGS -

- NOTES:
- HOUSING MATERIAL: G.F LCP: UL 94 V-0  
COLOR : BLACK
  - TERMINAL MATERIAL: (0.20)/.008 PHOSPHOR BRONZE.
  - SEE SHEET 2 FOR CIRCUIT SIZES AND OVER-ALL DIMENSIONS.
  - PART CONFORMS TO PS-71395.
  - PACKAGING:  
FOR TRAY PACK SEE PK-70873-0304  
FOR TAPE AND REEL PACK SEE PK-71395-001
  - PRODUCT COMPLIES WITH CLASS B OF COSMETIC SPECIFICATION PS-45499-002

|   |  |         |         |                                |  |         |  |                 |  |
|---|--|---------|---------|--------------------------------|--|---------|--|-----------------|--|
| THIS DRAWING CONTAINS INFORMATION THAT IS PROPRIETARY TO MOLEX ELECTRONIC TECHNOLOGIES, LLC AND SHOULD NOT BE USED WITHOUT WRITTEN PERMISSION |  |         |         |                                |  |         |  |                 |  |
| DIMENSION UNITS   |  | SCALE   |         | CURRENT REV DESC:              |  |         |  |                 |  |
| MM/IN   |  | 10:1    |         |                                |  |         |  |                 |  |
| GENERAL TOLERANCES (UNLESS SPECIFIED)   |  |         |         | EC NO: 631794                  |  |         |  |                 |  |
|   |  | MM      | INCH    | DRWN: ABABUPS 2020/02/03       |  |         |  |                 |  |
| 4 PLACES  |  | ±       | ±       | CHK'D: MRAMAKRISHNA 2020/02/11 |  |         |  |                 |  |
| 3 PLACES  |  | ±       | ± 0.01  | APPR: MRAMAKRISHNA 2020/02/11  |  |         |  |                 |  |
| 2 PLACES  |  | ± 0.25  | ± 0.014 | INITIAL REVISION:              |  |         |  |                 |  |
| 1 PLACE   |  | ± 0.35  | ±       | DRWN:                          |  |         |  |                 |  |
| 0 PLACES  |  | ±       | ±       | APPR:                          |  |         |  |                 |  |
| ANGULAR TOL   |  | ± 0.5 ° |         | THIRD ANGLE PROJECTION         |  | DRAWING |  | SERIES          |  |
| DRAFT WHERE APPLICABLE MUST REMAIN WITHIN DIMENSIONS  |  |         |         | C-SIZE                         |  | 71395   |  | MATERIAL NUMBER |  |
|   |  |         |         |                                |  |         |  | CUSTOMER        |  |
|   |  |         |         |                                |  |         |  | SHEET NUMBER    |  |
|   |  |         |         |                                |  |         |  | 1 OF 4          |  |

**molex**

CONNECTOR DUAL ROW  
VERTICAL SURFACE MOUNT TOP ENTRY ON .100 GRID

PRODUCT CUSTOMER DRAWING

|                 |          |          |          |
|-----------------|----------|----------|----------|
| DOCUMENT NUMBER | DOC TYPE | DOC PART | REVISION |
| SDA-71395-1XXX  | PSD      | 001      | N4       |

| NO. OF CKTS. |       | TIN PLATING |            |                | 15 GOLD PLATING |            |                | 30 GOLD PLATING |            |                | DIM. "A"      |       | DIM. "B" |       | INCH   | MM |
|--------------|-------|-------------|------------|----------------|-----------------|------------|----------------|-----------------|------------|----------------|---------------|-------|----------|-------|--------|----|
| PER ROW      | TOTAL | E.D.P. NO.  | ENG. NO.   | TRAY PACKAGING | E.D.P. NO.      | ENG. NO.   | TRAY PACKAGING | E.D.P. NO.      | ENG. NO.   | TRAY PACKAGING | INCH          | MM    | INCH     | MM    |        |    |
| H            | 2     | 4           | NA         | AX-71395-1004  | PK-70873-0304   | NA         | AX-71395-1104  | PK-70873-0304   | NA         | AX-71395-1204  | PK-70873-0304 | .100  | 2.54     | .199  | 5.05   |    |
|              | 3     | 6           | 71395-1006 | A-71395-1006   | PK-70873-0304   | 71395-1106 | A-71395-1106   | PK-70873-0304   | 71395-1206 | A-71395-1206   | PK-70873-0304 | .200  | 5.08     | .299  | 7.59   |    |
|              | 4     | 8           | 15-45-3208 | A-71395-1008   | PK-70873-0304   | 15-45-3108 | A-71395-1108   | PK-70873-0304   | 15-45-3308 | A-71395-1208   | PK-70873-0304 | .300  | 7.62     | .399  | 10.13  |    |
|              | 5     | 10          | 15-45-3210 | A-71395-1010   | PK-70873-0304   | 15-45-3110 | A-71395-1110   | PK-70873-0304   | 15-45-3310 | A-71395-1210   | PK-70873-0304 | .400  | 10.16    | .499  | 12.67  |    |
|              | 6     | 12          | 15-45-3212 | A-71395-1012   | PK-70873-0304   | 15-45-3112 | A-71395-1112   | PK-70873-0304   | 15-45-3312 | A-71395-1212   | PK-70873-0304 | .500  | 12.70    | .599  | 15.21  |    |
|              | 7     | 14          | 15-45-3214 | A-71395-1014   | PK-70873-0304   | 15-45-3114 | A-71395-1114   | PK-70873-0304   | 15-45-3314 | A-71395-1214   | PK-70873-0304 | .600  | 15.24    | .699  | 17.75  |    |
|              | 8     | 16          | 15-45-3216 | A-71395-1016   | PK-70873-0304   | 15-45-3116 | A-71395-1116   | PK-70873-0304   | 15-45-3316 | A-71395-1216   | PK-70873-0304 | .700  | 17.78    | .799  | 20.29  |    |
|              | 9     | 18          | 15-45-3218 | A-71395-1018   | PK-70873-0304   | 15-45-3118 | A-71395-1118   | PK-70873-0304   | 15-45-3318 | A-71395-1218   | PK-70873-0304 | .800  | 20.32    | .899  | 22.83  |    |
| G            | 10    | 20          | 15-45-3220 | A-71395-1020   | PK-70873-0304   | 15-45-3120 | A-71395-1120   | PK-70873-0304   | 15-45-3320 | A-71395-1220   | PK-70873-0304 | .900  | 22.86    | .999  | 25.37  |    |
|              | 11    | 22          | 15-45-3222 | A-71395-1022   | PK-70873-0304   | 15-45-3122 | A-71395-1122   | PK-70873-0304   | 15-45-3322 | A-71395-1222   | PK-70873-0304 | 1.000 | 25.40    | 1.099 | 27.91  | G  |
|              | 12    | 24          | 15-45-3224 | A-71395-1024   | PK-70873-0304   | 15-45-3124 | A-71395-1124   | PK-70873-0304   | 15-45-3324 | A-71395-1224   | PK-70873-0304 | 1.100 | 27.94    | 1.199 | 30.45  |    |
|              | 13    | 26          | 15-45-3226 | A-71395-1026   | PK-70873-0304   | 15-45-3126 | A-71395-1126   | PK-70873-0304   | 15-45-3326 | A-71395-1226   | PK-70873-0304 | 1.200 | 30.48    | 1.299 | 32.99  |    |
|              | 14    | 28          | 15-45-3228 | A-71395-1028   | PK-70873-0304   | 15-45-3128 | A-71395-1128   | PK-70873-0304   | 15-45-3328 | A-71395-1228   | PK-70873-0304 | 1.300 | 33.02    | 1.399 | 35.53  |    |
|              | 15    | 30          | 15-45-3230 | A-71395-1030   | PK-70873-0304   | 15-45-3130 | A-71395-1130   | PK-70873-0304   | 15-45-3330 | A-71395-1230   | PK-70873-0304 | 1.400 | 35.56    | 1.499 | 38.07  |    |
|              | 16    | 32          | 15-45-3232 | A-71395-1032   | PK-70873-0304   | 15-45-3132 | A-71395-1132   | PK-70873-0304   | 15-45-3332 | A-71395-1232   | PK-70873-0304 | 1.500 | 38.10    | 1.599 | 40.61  |    |
|              | 17    | 34          | 15-45-3234 | A-71395-1034   | PK-70873-0304   | 15-45-3134 | A-71395-1134   | PK-70873-0304   | 15-45-3334 | A-71395-1234   | PK-70873-0304 | 1.600 | 40.64    | 1.699 | 43.15  |    |
|              | 18    | 36          | 15-45-3236 | A-71395-1036   | PK-70873-0304   | 15-45-3136 | A-71395-1136   | PK-70873-0304   | 15-45-3336 | A-71395-1236   | PK-70873-0304 | 1.700 | 43.18    | 1.799 | 45.69  |    |
| F            | 19    | 38          | 15-45-3238 | A-71395-1038   | PK-70873-0304   | 15-45-3138 | A-71395-1138   | PK-70873-0304   | 15-45-3338 | A-71395-1238   | PK-70873-0304 | 1.800 | 45.72    | 1.899 | 48.23  |    |
|              | 20    | 40          | 15-45-3240 | A-71395-1040   | PK-70873-0304   | 15-45-3140 | A-71395-1140   | PK-70873-0304   | 15-45-3340 | A-71395-1240   | PK-70873-0304 | 1.900 | 48.26    | 1.999 | 50.77  | F  |
|              | 21    | 42          | 15-45-3242 | A-71395-1042   | PK-70873-0304   | 15-45-3142 | A-71395-1142   | PK-70873-0304   | 15-45-3342 | A-71395-1242   | PK-70873-0304 | 2.000 | 50.80    | 2.099 | 53.31  |    |
|              | 22    | 44          | 15-45-3244 | A-71395-1044   | PK-70873-0304   | 15-45-3144 | A-71395-1144   | PK-70873-0304   | 15-45-3344 | A-71395-1244   | PK-70873-0304 | 2.100 | 53.34    | 2.199 | 55.85  |    |
|              | 23    | 46          | 15-45-3246 | A-71395-1046   | PK-70873-0304   | 15-45-3146 | A-71395-1146   | PK-70873-0304   | 15-45-3346 | A-71395-1246   | PK-70873-0304 | 2.200 | 55.88    | 2.299 | 58.39  |    |
|              | 24    | 48          | 15-45-3248 | A-71395-1048   | PK-70873-0304   | 15-45-3148 | A-71395-1148   | PK-70873-0304   | 15-45-3348 | A-71395-1248   | PK-70873-0304 | 2.300 | 58.42    | 2.399 | 60.93  |    |
|              | 25    | 50          | 15-45-3250 | A-71395-1050   | PK-70873-0304   | 15-45-3150 | A-71395-1150   | PK-70873-0304   | 15-45-3350 | A-71395-1250   | PK-70873-0304 | 2.400 | 60.96    | 2.499 | 63.47  |    |
|              | 26    | 52          | 15-45-3252 | A-71395-1052   | PK-70873-0304   | 15-45-3152 | A-71395-1152   | PK-70873-0304   | 15-45-3352 | A-71395-1252   | PK-70873-0304 | 2.500 | 63.50    | 2.599 | 66.01  |    |
| E            | 27    | 54          | 15-45-3254 | A-71395-1054   | PK-70873-0304   | 15-45-3154 | A-71395-1154   | PK-70873-0304   | 15-45-3354 | A-71395-1254   | PK-70873-0304 | 2.600 | 66.04    | 2.699 | 68.55  |    |
|              | 28    | 56          | 15-45-3256 | A-71395-1056   | PK-70873-0304   | 15-45-3156 | A-71395-1156   | PK-70873-0304   | 15-45-3356 | A-71395-1256   | PK-70873-0304 | 2.700 | 68.58    | 2.799 | 71.09  | E  |
|              | 29    | 58          | 15-45-3258 | A-71395-1058   | PK-70873-0304   | 15-45-3158 | A-71395-1158   | PK-70873-0304   | 15-45-3358 | A-71395-1258   | PK-70873-0304 | 2.800 | 71.12    | 2.899 | 73.63  |    |
|              | 30    | 60          | 15-45-3260 | A-71395-1060   | PK-70873-0304   | 15-45-3160 | A-71395-1160   | PK-70873-0304   | 15-45-3360 | A-71395-1260   | PK-70873-0304 | 2.900 | 73.66    | 2.999 | 76.17  |    |
|              | 31    | 62          | 15-45-3262 | A-71395-1062   | PK-70873-0304   | 15-45-3162 | A-71395-1162   | PK-70873-0304   | 15-45-3362 | A-71395-1262   | PK-70873-0304 | 3.000 | 76.20    | 3.099 | 78.71  |    |
|              | 32    | 64          | 15-45-3264 | A-71395-1064   | PK-70873-0304   | 15-45-3164 | A-71395-1164   | PK-70873-0304   | 15-45-3364 | A-71395-1264   | PK-70873-0304 | 3.100 | 78.74    | 3.199 | 81.25  |    |
|              | 33    | 66          | 15-45-3266 | A-71395-1066   | PK-70873-0304   | 15-45-3166 | A-71395-1166   | PK-70873-0304   | 15-45-3366 | A-71395-1266   | PK-70873-0304 | 3.200 | 81.28    | 3.299 | 83.79  |    |
|              | 34    | 68          | 15-45-3268 | A-71395-1068   | PK-70873-0304   | 15-45-3168 | A-71395-1168   | PK-70873-0304   | 15-45-3368 | A-71395-1268   | PK-70873-0304 | 3.300 | 83.82    | 3.399 | 86.33  |    |
|              | 35    | 70          | 15-45-3270 | A-71395-1070   | PK-70873-0304   | 15-45-3170 | A-71395-1170   | PK-70873-0304   | 15-45-3370 | A-71395-1270   | PK-70873-0304 | 3.400 | 86.36    | 3.499 | 88.87  |    |
| D            | 36    | 72          | 15-45-3272 | A-71395-1072   | PK-70873-0304   | 15-45-3172 | A-71395-1172   | PK-70873-0304   | 15-45-3372 | A-71395-1272   | PK-70873-0304 | 3.500 | 88.90    | 3.599 | 91.41  |    |
|              | 37    | 74          | 15-45-3274 | A-71395-1074   | PK-70873-0304   | 15-45-3174 | A-71395-1174   | PK-70873-0304   | 15-45-3374 | A-71395-1274   | PK-70873-0304 | 3.600 | 91.44    | 3.699 | 93.95  | D  |
|              | 38    | 76          | 15-45-3276 | A-71395-1076   | PK-70873-0304   | 15-45-3176 | A-71395-1176   | PK-70873-0304   | 15-45-3376 | A-71395-1276   | PK-70873-0304 | 3.700 | 93.98    | 3.799 | 96.49  |    |
|              | 39    | 78          | 15-45-3278 | A-71395-1078   | PK-70873-0304   | 15-45-3178 | A-71395-1178   | PK-70873-0304   | 15-45-3378 | A-71395-1278   | PK-70873-0304 | 3.800 | 96.52    | 3.899 | 99.03  |    |
|              | 40    | 80          | 15-45-3280 | A-71395-1080   | PK-70873-0304   | 15-45-3180 | A-71395-1180   | PK-70873-0304   | 15-45-3380 | A-71395-1280   | PK-70873-0304 | 3.900 | 99.06    | 3.999 | 101.57 |    |

**PLATING:**

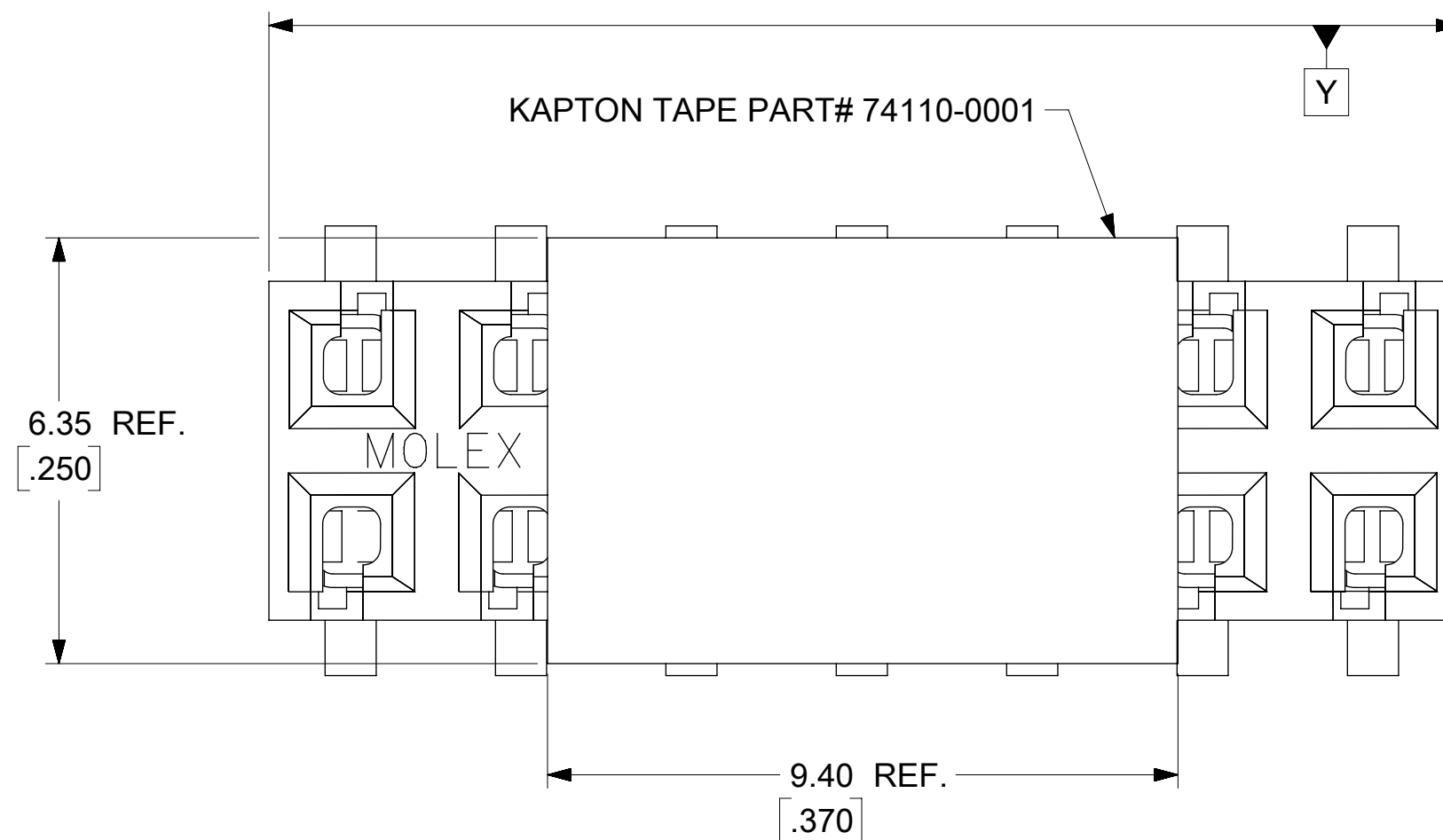
TIN (3.75 MICROMETER)/150 MICROINCH MINIMUM TIN OVER  
( 1.25 MICROMETER)/50 MICORINCH MINIMUM NICKEL OVERALL.

15 GOLD (0.37 MICROMETER)/15 MICROINCH MINIMUM SELECTIVE GOLD IN THE CONTACT AREA.  
(1.88 MICROMETER)/75 MICROINCH MINIMUM TIN IN THE PC TAIL AREA OVER  
( 1.25 MICROMETER)/50 MICORINCH MINIMUM NICKEL OVERALL.

30 GOLD (0.75 MICROMETER)/30 MICROINCH MINIMUM SELECTIVE GOLD IN THE CONTACT AREA.  
(1.88 MICROMETER)/75 MICROINCH MINIMUM TIN IN THE PC TAIL AREA OVER  
( 1.25 MICROMETER)/50 MICORINCH MINIMUM NICKEL OVERALL.

|   |   |         |         |  |  |         |  |        |  |
|---|---|---------|---------|--|--|---------|--|--------|--|
| THIS DRAWING CONTAINS INFORMATION THAT IS PROPRIETARY TO MOLEX ELECTRONIC TECHNOLOGIES, LLC AND SHOULD NOT BE USED WITHOUT WRITTEN PERMISSION |   |         |         |  |  |         |  |        |  |
| DIMENSION UNITS   |   | SCALE   |         | CURRENT REV DESC:  |  |         |  |        |  |
| MM/IN   |   | 4:1     |         | <p><b>molex</b></p> <p>CONNECTOR DUAL ROW<br/>VERTICAL SURFACE MOUNT TOP ENTRY ON .100 GRID</p> <p>PRODUCT CUSTOMER DRAWING</p> <p>DOCUMENT NUMBER: <b>SDA-71395-1XXX</b>    DOC TYPE: PSD    DOC PART: 001    REVISION: <b>N4</b></p> <p>MATERIAL NUMBER: SEE CHART    CUSTOMER: GENERAL MARKET    SHEET NUMBER: 2 OF 4</p> |  |         |  |        |  |
| GENERAL TOLERANCES (UNLESS SPECIFIED)   |   |         |         |  |  |         |  |        |  |
|   |   | MM      | INCH    |  |  |         |  |        |  |
| 4 PLACES  | ± |         | ±       |  |  |         |  |        |  |
| 3 PLACES  | ± |         | ± 0.01  |  |  |         |  |        |  |
| 2 PLACES  | ± | 0.25    | ± 0.014 |  |  |         |  |        |  |
| 1 PLACE   | ± | 0.35    | ±       |  |  |         |  |        |  |
| 0 PLACES  | ± |         | ±       |  |  |         |  |        |  |
| ANGULAR TOL   |   | ± 0.5 ° |         | THIRD ANGLE PROJECTION   |  | DRAWING |  | SERIES |  |
| DRAFT WHERE APPLICABLE<br>MUST REMAIN<br>WITHIN DIMENSIONS  |   |         |         |  |  | C-SIZE  |  | 71395  |  |

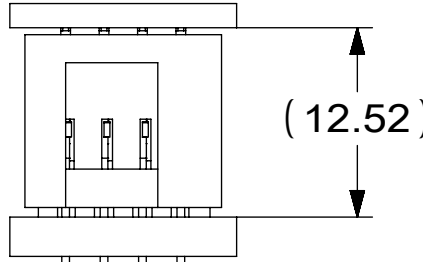
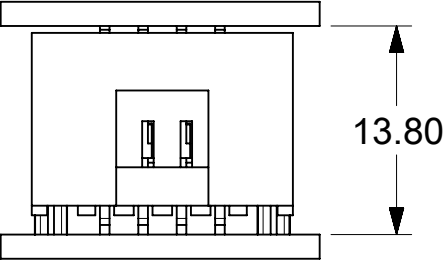
| NO. OF CKTS. |       | TIN PLATING |          |                         | 15 GOLD PLATING |              |                         | 30 GOLD PLATING |              |                |          |       |          |       |      |    |
|--------------|-------|-------------|----------|-------------------------|-----------------|--------------|-------------------------|-----------------|--------------|----------------|----------|-------|----------|-------|------|----|
| PER ROW      | TOTAL | E.D.P. NO.  | ENG. NO. | TAPE AND REEL PACKAGING | E.D.P. NO.      | ENG. NO.     | TAPE AND REEL PACKAGING | E.D.P. NO.      | ENG. NO.     | TRAY PACKAGING | DIM. "A" |       | DIM. "B" |       | INCH | MM |
|              |       |             |          |                         |                 |              |                         |                 |              |                | INCH     | MM    | INCH     | MM    |      |    |
| 7            | 4     | NA          | NA       | NA                      | NA              | NA           | NA                      | 71395-5114      | A-71395-5114 | PK-71395-001   | .600     | 15.24 | .699     | 17.75 |      |    |
| 8            | 6     | NA          | NA       | NA                      | 71395-5016      | A-71395-5016 | PK-71395-001            | NA              | NA           | NA             | .700     | 17.78 | .799     | 20.29 |      |    |
|              |       | NA          | NA       | NA                      | NA              | NA           | NA                      | NA              | NA           | NA             |          |       |          |       |      |    |
| 10           | 20    | NA          | NA       | NA                      | 71395-5020      | A-71395-5020 | PK-71395-001            | 71395-5120      | A-71395-5120 | PK-71395-001   | .900     | 22.86 | .999     | 25.37 |      |    |
| 20           | 40    | NA          | NA       | NA                      | 71395-5040      | A-71395-5040 | PK-71395-001            | NA              | NA           | NA             | 1.900    | 48.26 | 1.999    | 50.77 |      |    |
|              |       | NA          | NA       | NA                      | NA              | NA           | NA                      | NA              | NA           | NA             |          |       |          |       |      |    |

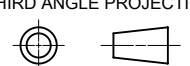


NOTE: KAPTON TAPE TO BE CENTERED ON TOP OF PART IN THE ORIENTATION SHOWN. 14 CIRCUIT SHOWN FOR REFERENCE

|   |  |                        |         |  |  |        |  |                 |  |                |  |              |  |
|---|--|------------------------|---------|--|--|--------|--|-----------------|--|----------------|--|--------------|--|
| THIS DRAWING CONTAINS INFORMATION THAT IS PROPRIETARY TO MOLEX ELECTRONIC TECHNOLOGIES, LLC AND SHOULD NOT BE USED WITHOUT WRITTEN PERMISSION |  |                        |         |  |  |        |  |                 |  |                |  |              |  |
| DIMENSION UNITS   |  | SCALE                  |         | CURRENT REV DESC:  |  |        |  |                 |  |                |  |              |  |
| MM/IN   |  | 1:1                    |         | <b>molex</b><br>CONNECTOR DUAL ROW<br>VERTICAL SURFACE MOUNT TOP ENTRY ON .100 GRID<br>PRODUCT CUSTOMER DRAWING<br>EC NO: 631794<br>DRWN: ABABUPS 2020/02/03<br>CHK'D: MRAMAKRISHNA 2020/02/11<br>APPR: MRAMAKRISHNA 2020/02/11<br>INITIAL REVISION:<br>DRWN:<br>APPR: |  |        |  |                 |  |                |  |              |  |
| GENERAL TOLERANCES (UNLESS SPECIFIED)   |  |                        |         |  |  |        |  |                 |  |                |  |              |  |
| 4 PLACES  |  | ±                      | ±       |  |  |        |  |                 |  |                |  |              |  |
| 3 PLACES  |  | ±                      | ± 0.01  |  |  |        |  |                 |  |                |  |              |  |
| 2 PLACES  |  | ± 0.25                 | ± 0.014 |  |  |        |  |                 |  |                |  |              |  |
| 1 PLACE   |  | ± 0.35                 | ±       |  |  |        |  |                 |  |                |  |              |  |
| 0 PLACES  |  | ±                      | ±       |  |  |        |  |                 |  |                |  |              |  |
| ANGULAR TOL   |  | ± 0.5 °                |         | DOCUMENT NUMBER: <b>SDA-71395-1XXX</b><br>DOC TYPE: PSD<br>DOC PART: 001<br>REVISION: N4   |  |        |  |                 |  |                |  |              |  |
| DRAFT WHERE APPLICABLE MUST REMAIN WITHIN DIMENSIONS  |  | THIRD ANGLE PROJECTION |         | DRAWING  |  | SERIES |  | MATERIAL NUMBER |  | CUSTOMER       |  | SHEET NUMBER |  |
|   |  |                        |         | C-SIZE   |  | 71395  |  | SEE CHART       |  | GENERAL MARKET |  | 3 OF 4       |  |

**BOARD TO BOARD (BTB) DISTANCE**

| RECEPTACLE | MATES WITH (HEADER) | BTB DIST. | PICTORIAL VIEW   |
|------------|---------------------|-----------|--|
| 71395      | 70567               | 12.52     |  |
| 71395      | 71349               | 13.80     |  |

|   |  |         |         |   |  |            |  |   |  |
|---|--|---------|---------|---|--|------------|--|---|--|
| THIS DRAWING CONTAINS INFORMATION THAT IS PROPRIETARY TO MOLEX ELECTRONIC TECHNOLOGIES, LLC AND SHOULD NOT BE USED WITHOUT WRITTEN PERMISSION |  |         |         |   |  |            |  |   |  |
| DIMENSION UNITS   |  | SCALE   |         | CURRENT REV DESC:   |  |            |  | <b>molex</b>  |  |
| INCH  |  | 2:1     |         |   |  |            |  |   |  |
| GENERAL TOLERANCES (UNLESS SPECIFIED)   |  |         |         | EC NO: 631794   |  | 2020/02/03 |  | CONNECTOR DUAL ROW<br>VERTICAL SURFACE MOUNT TOP ENTRY ON .100 GRID |  |
|   |  | MM      | INCH    | DRWN: ABABUPS   |  |            |  |   |  |
| 4 PLACES  |  | ±       | ±       | CHK'D: MRAMAKRISHNA   |  | 2020/02/11 |  | PRODUCT CUSTOMER DRAWING  |  |
| 3 PLACES  |  | ±       | ± 0.01  | APPR: MRAMAKRISHNA  |  | 2020/02/11 |  |   |  |
| 2 PLACES  |  | ± 0.25  | ± 0.014 | INITIAL REVISION:   |  |            |  | DOCUMENT NUMBER   |  |
| 1 PLACE   |  | ± 0.35  | ±       | DRWN: DRWN BY   |  | XXXX/XX/XX |  | SDA-71395-1XXX  |  |
| 0 PLACES  |  | ±       | ±       | APPR: APPR BY   |  | XXXX/XX/XX |  | PSD 001 N4  |  |
| ANGULAR TOL   |  | ± 0.5 ° |         | THIRD ANGLE PROJECTION  |  | DRAWING    |  | MATERIAL NUMBER   |  |
| DRAFT WHERE APPLICABLE<br>MUST REMAIN<br>WITHIN DIMENSIONS  |  |         |         |  |  | C-SIZE     |  | SERIES  |  |
|   |  |         |         |   |  | 71395      |  | CUSTOMER  |  |
|   |  |         |         |   |  |            |  | GENERAL MARKET  |  |
|   |  |         |         |   |  |            |  | SHEET NUMBER  |  |
|   |  |         |         |   |  |            |  | 4 OF 4  |  |

|                 |    |              |                     |
|-----------------|----|--------------|---------------------|
| DOCUMENT STATUS | P1 | RELEASE DATE | 2020/02/11 09:55:37 |
|-----------------|----|--------------|---------------------|