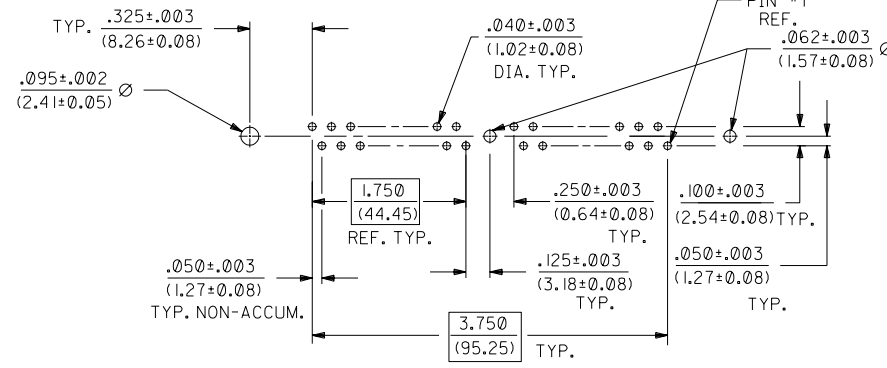


"SIMM" P.C. BOARD LAYOUT

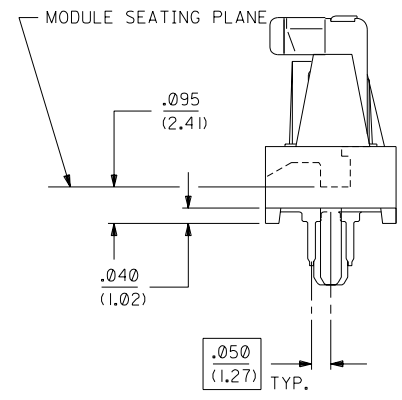
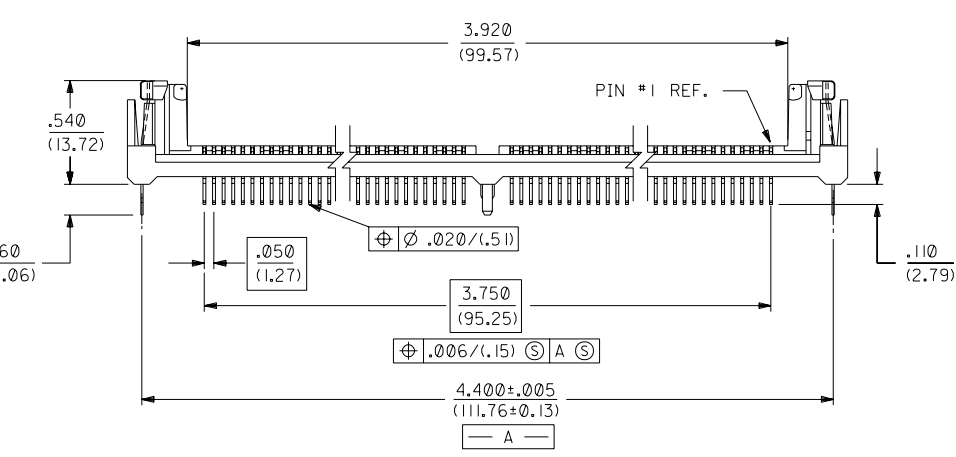
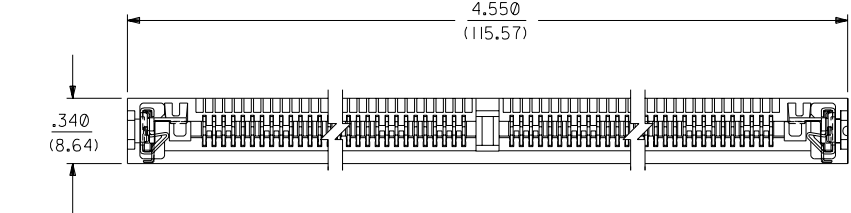
NOTES: 1. CARD SLOT ACCEPTS .050 +.004/-.003 P.C. BOARDS (MEASURED OVER P.C. PADS).  
 2. PRODUCT SPEC PS-78954 APPLIES  
 3. CENTER PEG IS AN INTERFERENCE FIT TO PCB UNLESS NOTED ON THE DWG. (APPLICABLE ONLY IF PART HAS A CENTER PEG FEATURE)

MATERIALS:  
 HOUSING- LCP, GLASS FILLED, 94V-0, COLOR: BLACK  
 TERMINAL- PHOSPHOR BRONZE  
 PLATING- POST PLATED 30 μin/(0.76 μm) MINIMUM GOLD IN CONTACT AREA AND 150 μin/(3.81 μm) MINIMUM TIN IN TAIL AREA OVER 75 μin/(1.91 μm) MINIMUM NICKEL OVERALL.  
 \* REFERENCE NOTE IN LOWER LEFT CORNER OF DRAWING.

METAL LATCH- STAINLESS STEEL



RECOMMENDED SOCKET P.C. BOARD HOLE PATTERN



END VIEW SCALE 4:1

D	LEAD FREE UCP2004-1582 RWHITE 04/02/24
C	REVISED PER ECR# U51309 GMY 8-18-95
B	REDRAWN PER ECR U20649 AMD 6-10-92
A	RELEASE FOR MFG. PER ERO 30568 SEC 10-26-90

\*THE PRIMARY SHIPPING CARTON WILL BE LABELED "COMPLIANT TO RoHS DIRECTIVE 2002/95/EC AND ELV ANNEX II OF DIRECTIVE 2000/53/EC" CARTONS WITHOUT THIS LABEL MAY CONTAIN PRODUCT WITH LEAD.

DIMENSIONS SHOWN (METRIC) INCH UNLESS OTHERWISE SPECIFIED TOLERANCES: ANGULAR ± 1/2°				▽ = 0	◀ = 0	REVISE ONLY ON CAD SYSTEM
INCH METRIC						
3 PLACE	± .010	---				
2 PLACE	± .014	± 0.25				
1 PLACE	---	± 0.35				
DRAFT WHERE APPLICABLE MUST REMAIN WITHIN DIMENSIONS						
DRWG. BY: SEC		CHK'D. BY:		PART NO. 15-82-0788		
APP'D. BY:		SCALE 2:1		DRWG. NO. SDA-78962-7236		
FILE NAME 57896256.DGN		SHEET NO. 1			DATE 10/26/90	
THIS DRAWING CONTAINS INFORMATION THAT IS PROPRIETARY TO MOLEX INC. AND SHOULD NOT BE USED WITHOUT WRITTEN PERMISSION						
				DA	SIZE	C